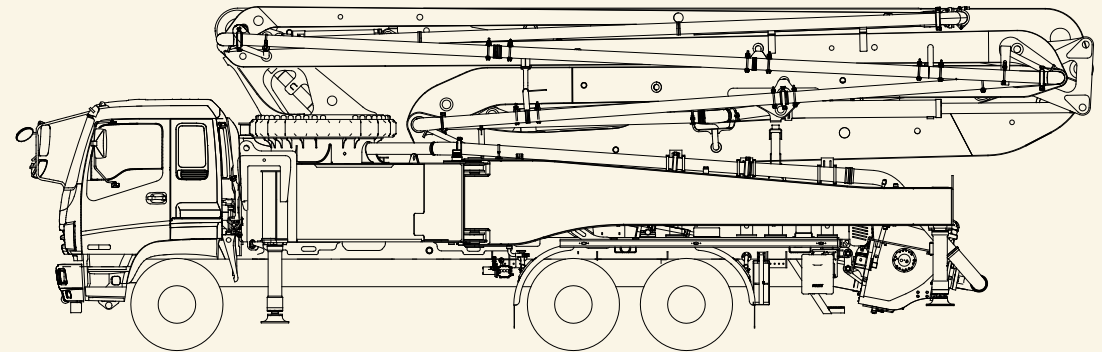




SANY

Quality Changes the World

Parts Book



SY5320THB 470C-8S

Truck-Mounted Concrete Pump



ЗАПЧАСТИ ДЛЯ БЕТОННАСОСОВ
+79180710333



ЗАПЧАСТИ ДЛЯ БЕТОННАСОСОВ
+79180710333

PARTS BOOK



SY5320THB 470C-8S Tr uck-mounted Concrete Pump

Equipment No.13BC53201131



ЗАПЧАСТИ ДЛЯ БЕТОННАСОСОВ
+79180710333



ЗАПЧАСТИ ДЛЯ БЕТОННАСОСОВ
+79180710333

TABLE OF CONTENTS

Group 0 Introduction	0-1
Group 1 SY5320THB 470C–8S Truck-mounted Concrete Pump	1-1
12822498 SY5320THB 470C–8S Truck-mounted Concrete Pump	1-2
Group 2 Boom	2-1
12550713 Boom	2-2
12554355 Hydraulic cylinder, 1#	2-14
12554345 Hydraulic cylinder, 2#	2-18
12554348 Hydraulic cylinder, 3#	2-22
12554352 Hydraulic cylinder, 4#	2-26
12554354 Hydraulic cylinder, 5#	2-30
Group 3 Tower, revolving	3-1
12745699 Tower, revolving	3-2
11646381 Turntable AS	3-14
11493496 Slewing mechanism	3-16
A990303070000 Reducer GP	3-20
A810102000105 Brake GP	3-22
A810103000410 Reducer AS	3-24
60022996 Motor, cycloid	3-28

12639162 Outrigger, rear, right	3-30
12634395 Oil cylinder , outrigger, rear	3-34
11824009 Mounting, lock, outrigger, right	3-38
A810302010036 Cylinder, spread, outrigger, rear	3-40
11141675 Mounting, encoder, turntable	3-44
11142524 Retainer	3-46
12637820 Outrigger, front, right	3-48
12634450 Oil cylinder, outrigger, front	3-52
10217326 Oil cylinder, telescopic, outrigger, front	3-54
A810302010131 Oil cylinder, telescopic, outrigger, front	3-56
12637895 Outrigger, front, left	3-58
A810302060096 Self-sealing device, port, oil intake, oil tank	3-62
12639161 Outrigger, rear, left	3-64
11824005 Mounting, lock, outrigger, left	3-68
11300603 Roller AS	3-70
Group 4 Pumping system	4-1
12694474 Pumping system	4-2
12693164 Pumping mechanism	4-4
12686425 Cylinder, oil, main	4-6
10628953 Drainage device	4-12
12595944 Head, piston	4-14
12784926 Support, water tank	4-16
12826476 Lubrication system	4-18
11660952 Hanger, hopper	4-22
12759825 Swing mechanism	4-24
A810301060032 Cylinder, swing valve, left	4-26
A810301060033 Cylinder, valve, swing, right	4-28

12207286 Hopper	4-30
10842799 Lamp, working	4-36
11694996 Articulated mechanism	4-38
A810301050067 Mixing device	4-40
A220501000080 Motor, plunger	4-50
A810301032054 S-valve GP	4-52
11206195 Group, elbow, hinged	4-58
Group 5 Base structure GP	5-1
12746084 Base structure GP	5-2
12826365 Support, oil cylinder, main	5-6
12826366 Hanger, oil cylinder, main	5-8
12745055 Support, main	5-10
Group 6 Chassis	6-1
12755818 Chassis	6-2
A810102040031 Shaft, driving	6-4
A810103020022 Hanger, transfer case	6-6
11796493 Transfer case and oil pump GP	6-8
B220301000165 Pump, plunger	6-10
10234443 Case, transfer	6-12
12245377 Box body, combination	6-20
B220304000083 Pump, plunger	6-22
B229900000324 Valve, control	6-26
12211176 Hanger, oil pump	6-28
12755114 Platform and accessories	6-30
A810406012907 Support, accumulator	6-34

11814186 Air valve and oil filling pipe GP	6-36
Group 7 Hydraulic system	7-1
12825706 Hydraulic system	7-2
12563916 Hydraulic system, boom	7-4
12826359 Cooling system	7-16
60160499 Motor, gear	7-18
12855220 Flushing system	7-20
11352544 Filter	7-22
B220501000269 Motor, gear	7-24
A220302000023 Pump, water	7-26
12827887 Pipeline, hydraulic, main system	7-28
12631931 Valve GP, main	7-42
60059726 Valve, electromagnetic	7-46
11136884 Valve GP, control, oil cylinder	7-48
11737448 Valve, connecting, oil cylinder	7-50
A810201020910 Pressure gauge valve group	7-52
12828050 Hydraulic system, mixing	7-54
A810201021318 Valve GP, change	7-62
A810201023032 Group, valve, auxiliary	7-64
60077982 Valve, solenoid	7-66
60077983 Valve, solenoid	7-68
12831484 Hydraulic system, swing cylinder	7-70
B229900003708 Accumulator	7-80
12635993 swing valve GP	7-82
60059727 Valve, solenoid	7-86
12772657 Hydraulic system, outrigger	7-88
10984687 Wheel, guide	7-98

60031865 Disc, bobbing	7-100
60031864 Disc, bobbing	7-102
12768252 Valve GP, control, outrigger	7-104
12283755 Operation box, outrigger, four-handle	7-106
12828047 Pipeline, hydraulic, revolving tower	7-108
B220400000377 Valve, multiway, five-section boom	7-120
12343139 Limit valve AS	7-122
A810201022063 Limit valve GP, rotary	7-124
12552172 Atiswing valve group	7-126
12343138 Rotary balance valve assembly	7-128
Group 8 Electrical system	8-1
12759787 Electrical system	8-2
A810201202157 Box, operation, small	8-10
12725557 Harness GP	8-12
12726663 Electric control cabinet GP	8-16
12562604 Remote controller GP	8-18
60198956 Controller, remote	8-20
A810201052590 Appliance, electric, cab	8-22
12822848 Electric control cabinet GP	8-24
60076986 Box, distribution, power, central	8-26
10510817 Box, operation, outrigger	8-28
12758525 Box, operation, maintenance	8-30
11062993 Harness fastening GP	8-32
11053595 Tilting angle sensor GP	8-34
12630723 Limit switch GP, X-outrigger	8-36
11058651 Switch GP, transfer case	8-38
11502460 Liquid level sensor GP	8-40

11053320 Temperature sensor GP	8-42
11744789 Sensor, temperature	8-44
11053370 Liquid level sensor GP	8-46
12670870 Proximity switch GP, oil cylinder	8-48
12592440 Proximity switch GP, oil cylinder	8-50
11055736 Switch GP	8-52
12726575 Sensor GP, shock absorbing system, boom	8-54
12823243 Lamp GP	8-56
12726509 Sensor GP, pressure, shock absorbing system, boom	8-58
11053609 Limit switch GP, boom	8-60
11502561 Sensor GP, pressure, energy efficiency	8-62
12775476 Harness GP, chassis	8-64
12576098 Horn GP	8-66
11053304 Mechanic encoder GP	8-68
Group 9 Piping, oil	9-1
12550395 Piping, oil	9-2
12702423 Piping GP	9-4
11362390 Mounting, support	9-10
11473163 Support, double	9-12
10819210 Support, double	9-14
A810301990067 Support, single	9-16
11710350 Support, single	9-18
12550394 Piping, boom	9-20

Group 0

Introduction

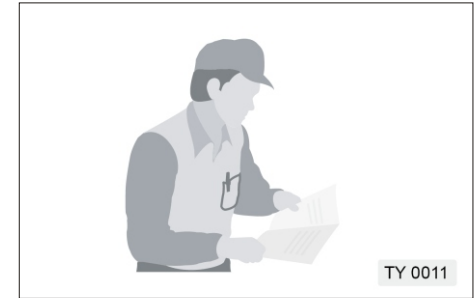
Parts Book Overview

This parts book provides illustrations and parts listings required for you to properly identify and order spare or replacement parts for your SANY machine.

If this book becomes damaged, lost or illegible, request a replacement copy from your SANY distributor as soon as possible.

If you sell this machine, be sure to give this parts book to the new owner.

Improvements in the design can lead to changes in detail which may not be reflected in this parts book. Always consult your SANY distributor for the latest available information on your equipment or if you have questions regarding information in this book.



Storing This Parts Book

This publication applies only to this machine model and should not be used with any other machines.

Always keep this parts book available for ready reference in case parts must be ordered, either in the workshop area or office and always be available to the maintenance and service personnel as required.

Parts Book Organization

This parts book is divided into the various groups of similar parts or assemblies:

Group 0 Introduction

Group 1 SY5320THB 470C–8S Truck–mounted Concrete Pump

Group 2 Boom

Group 3 Tower, revolving

Group 4 Pumping system

Group 5 Base structure GP

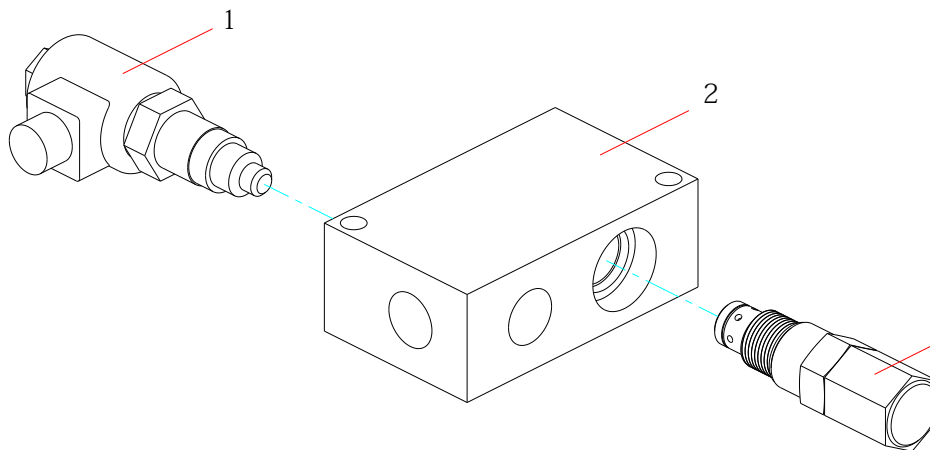
Group 6 Chassis

Group 7 Hydraulic system

Group 8 Electrical system

Group 9 Piping, oil

Page header with manual name,
machine model



Line-art illustration with
callout numbers

Page footer with parts code, parts
number, section number and page
number within the section

Page

A810201021318 Group, valve, directional

9-6

Page header with manual name,
machine model

Item No.	Part No.	Description	Qty.	Remark
1	B220401000459	Valve, directional, electromagnetic	1	
2	A820103010415	Block, valve, directional, motor, cooling oil	1	
3	B220400000083	Valve, overflow	1	

Item No. column;
matches callout
numbers on previous
illustration page

Parts No. column;
use this along with Description
to completely identify the part
or assembly

Description column;
use this along with Parts No.
to completely identify the part or
assembly

Qty. column indicates
the number of each part
used in this assembly

Remark column includes
complement information
of the part or assembly


Page footer with Parts No.,
Description, section number and
page number within the section

Page

Machine Information

The serial numbers and model numbers located on the machine components are the only numbers that your SANY distributor will need when ordering replacement parts or providing assistance for your equipment. Record this information either in this manual or another easy-to-access location for future use.

A sample machine data plate is shown below and the location of that plate is shown on the following page.

 SANY 三一汽车制造有限公司 <small>SANY AUTOMOBILE MANUFACTURING CO., LTD.</small>			
混凝土泵车 Truck Mounted Concrete Pump			
WMI	LA9/SAN	车辆识别代号 VIN	<input type="text"/>
产品型号 Model	<input type="text"/>	产品品牌 Product Brand	三一牌
最大理论输送量 Max. Theoretical Output	<input type="text"/> m ³ /h	最大布料高度 Max. Vertical Reach	<input type="text"/> m
最大理论输出压力 Max. Theoretical Output Pressure	<input type="text"/> MPa	最大布料半径 Max. Horizontal Reach	<input type="text"/> m
发动机型号 Engine Model	<input type="text"/>	总质量 Gross Mass	<input type="text"/> kg
发动机最大净功率 Max. Net Power of Engine	<input type="text"/> kW	整车整备质量 Kerb Mass	<input type="text"/> kg
外形尺寸 (长×宽×高) Overall Dimension(L×W×H)	<input type="text"/>		
生产日期 Date of Production	<input type="text"/>	出厂编号 Number	<input type="text"/>
中国制造 / Made in China			

Parts Ordering

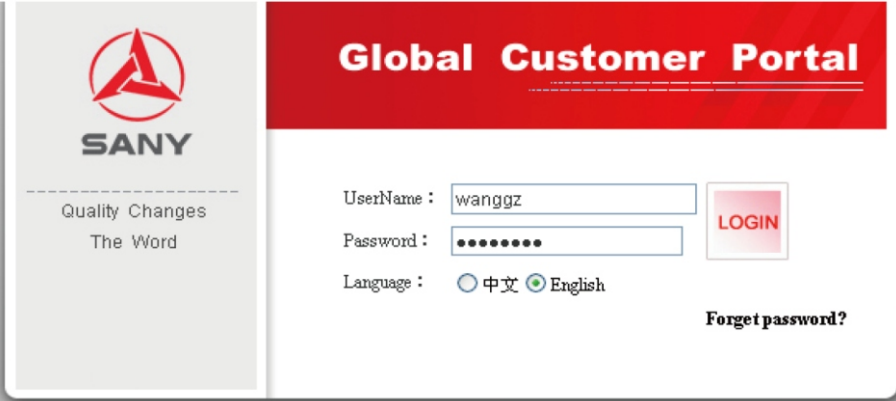
You may order spare and replacement parts in either of two ways.

- From your SANY distributor
- Online

To order from your SANY distributor, simply phone them and provide the part number, description and other requested data.

To order online, follow these easy steps:

- 1.Go to" <http://gcp.sany.com.cn/Login/Login.aspx>" and enter with your user name and password.



The screenshot shows the SANY Global Customer Portal login interface. On the left, there is the SANY logo and the slogan "Quality Changes The Word". The main area is titled "Global Customer Portal" and contains a login form with the following fields:

- UserName :
- Password :
- Language : 中文 English

A red "LOGIN" button is positioned to the right of the password field. Below the language selection, there is a link for "Forget password?".

2. Left-click "More" to review the book interface.



SN	Equip't Code	Equipment Descript.	GPS Device	Latest Location	Latest Device State	Equipment Management	Location Management	Parts Navigation	Product Document
----	--------------	---------------------	------------	-----------------	---------------------	----------------------	---------------------	------------------	------------------

3. Complete the equipment number box, the PDF file will appear.



http://gcp.sany.com.cn - SanyGcp - Microsoft Internet Explorer

SanyGCP My Equipments | My Alarm | My Maintenance | Parts Query | Fitting Query | Knowledge DB | P.A. | Guest Book Home | Help | Logout

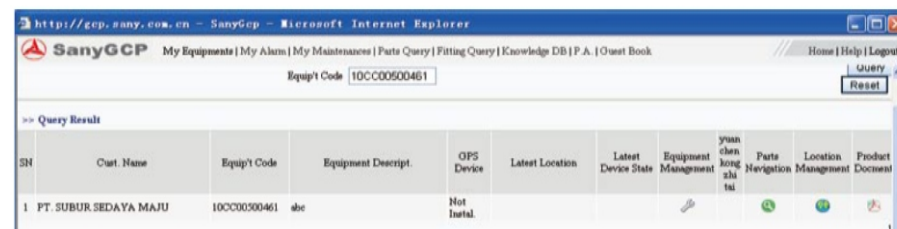
You Position: Home > My Equipments

Equip't Code

Query
Reset

>> Query Result

4. Left-click on PDF file to check the specifications.



The screenshot shows a web browser window with the URL <http://gcp.sany.com.cn>. The page title is "SanyGCP" and the navigation menu includes "My Equipments", "My Alarms", "My Maintenances", "Parts Query", "Fitting Query", "Knowledge DB", "P.A.", and "Guest Book". There are links for "Home", "Help", and "Logout". A search bar contains the text "Equip't Code" and "10CC00500461", with a "Query" button and a "Reset" button.

The main content area displays a "Query Result" table with the following data:

SN	Equip. Name	Equip't Code	Equipment Descript	OPS Device	Latest Location	Latest Device State	Equipment Management	yan chen kong zhi tai	Parts Navigation	Location Management	Product Document
1	PT. SUBUR SEDAYA MAJU	10CC00500461	abc	Not Instal							

Contact Information

For more information, you can reach us as follows:
SANY Industry Town, Changsha National Economic & Technical Development Zone, Hunan, China 410100

<http://www.sanygroup.com>

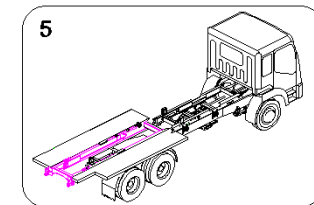
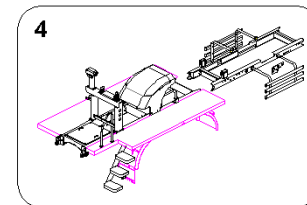
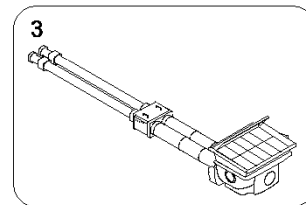
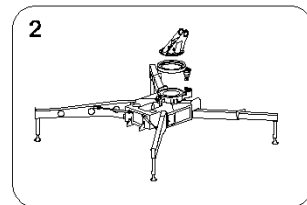
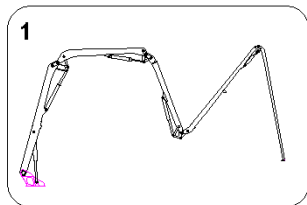
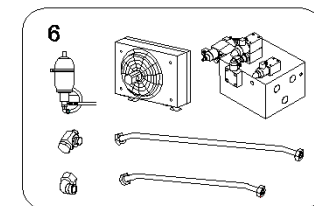
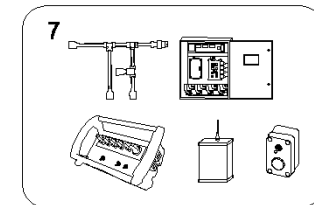
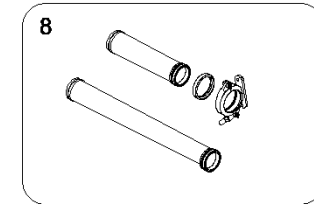
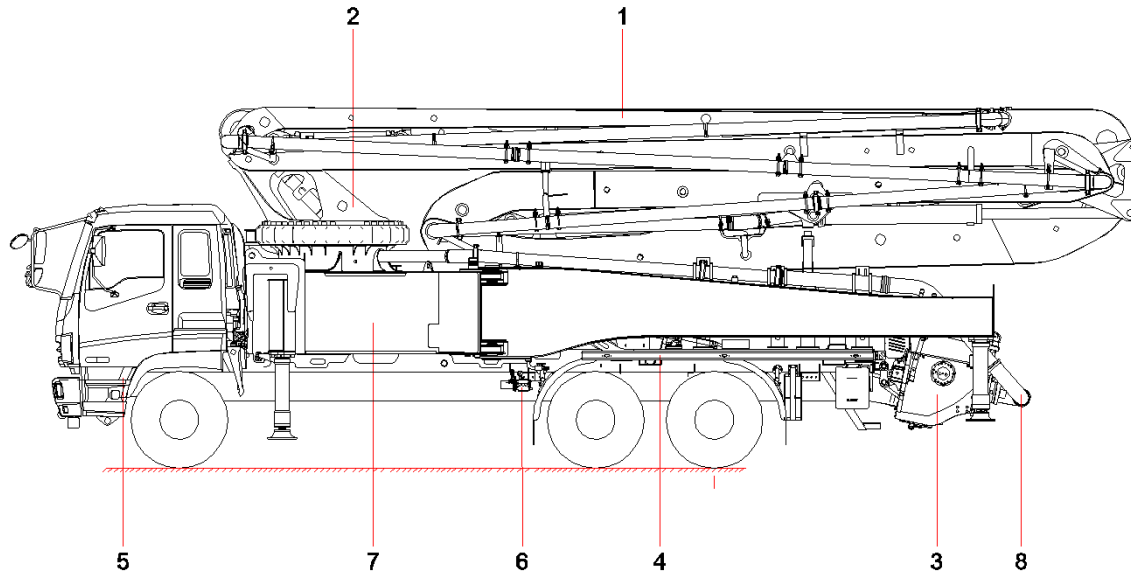
Tel: 0086 4006098318



ЗАПЧАСТИ ДЛЯ БЕТОННАСОСОВ
+79180710333

Group 1

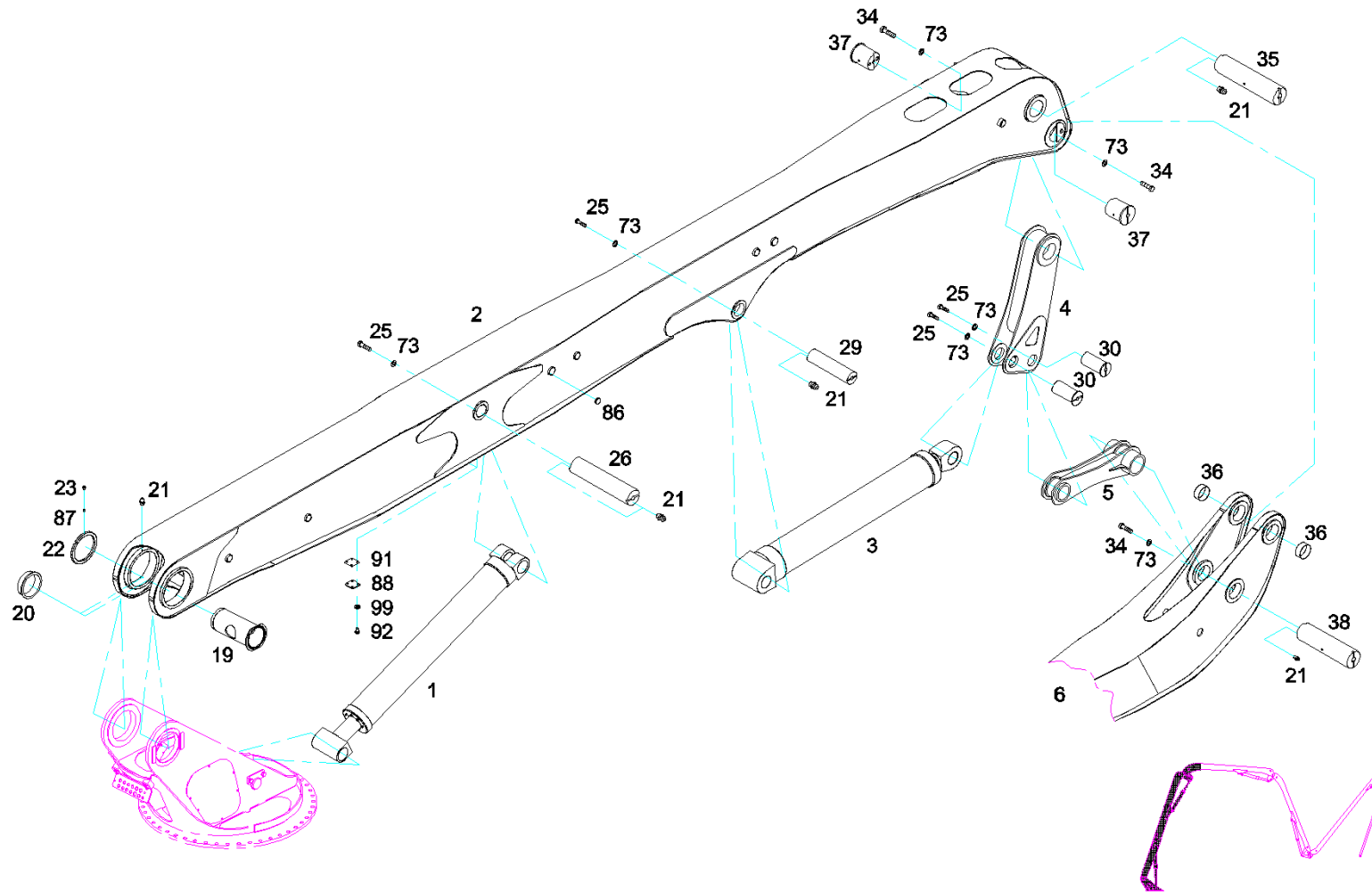
SY5320THB 470C-8S Truck-mounted Concrete Pump



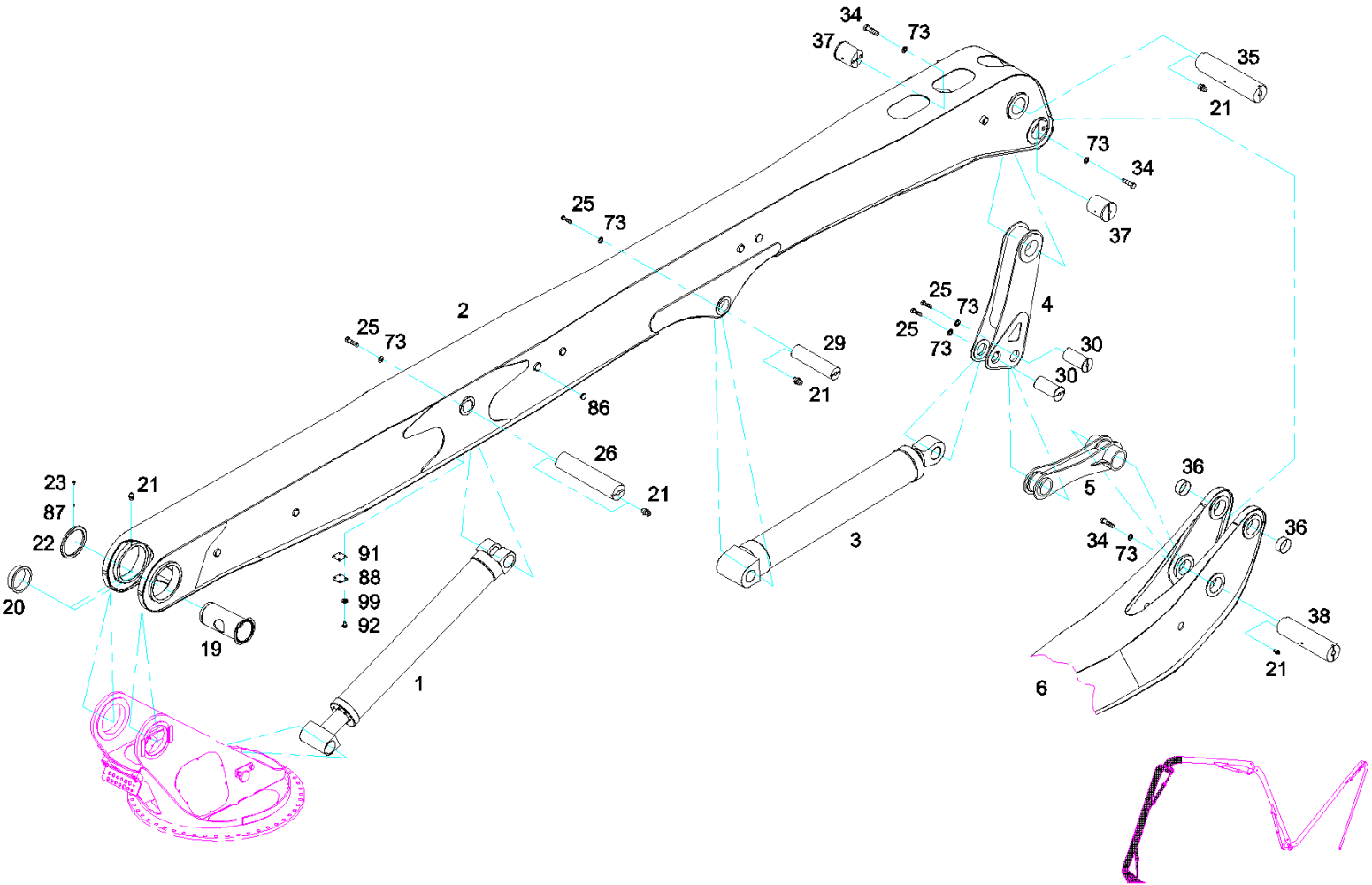
Item No.	Part No.	Description	Qty.	Remark
1	12550713	Boom	1	
2	12745699	Tower, revolving	1	
3	12694474	Pumping system	1	
4	12746084	Base structure GP	1	
5	12755818	Chassis	1	
6	12825706	Hydraulic system	1	
7	12759787	Electrical system	1	
8	12550395	Piping, oil	1	



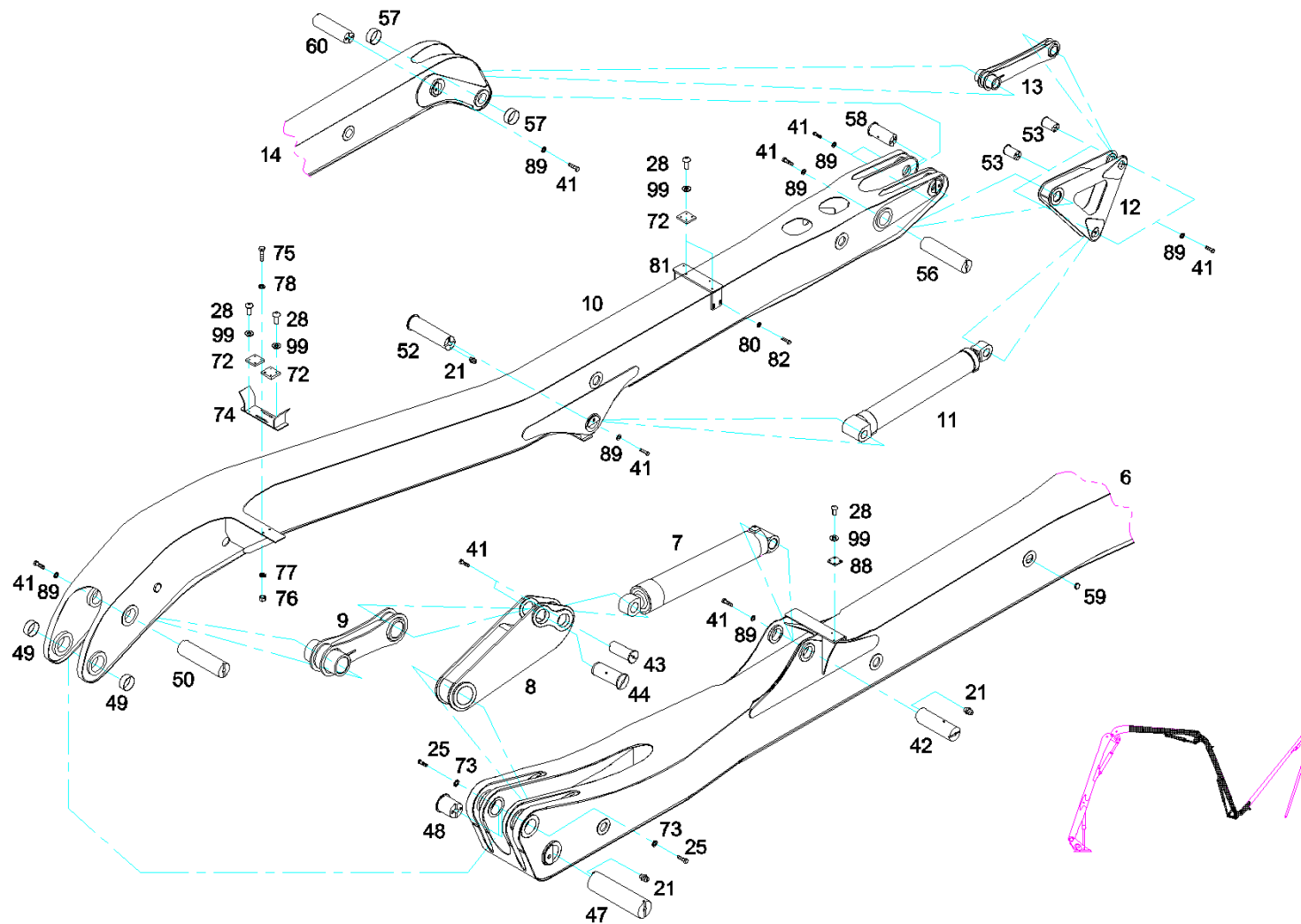
Group 2 Boom



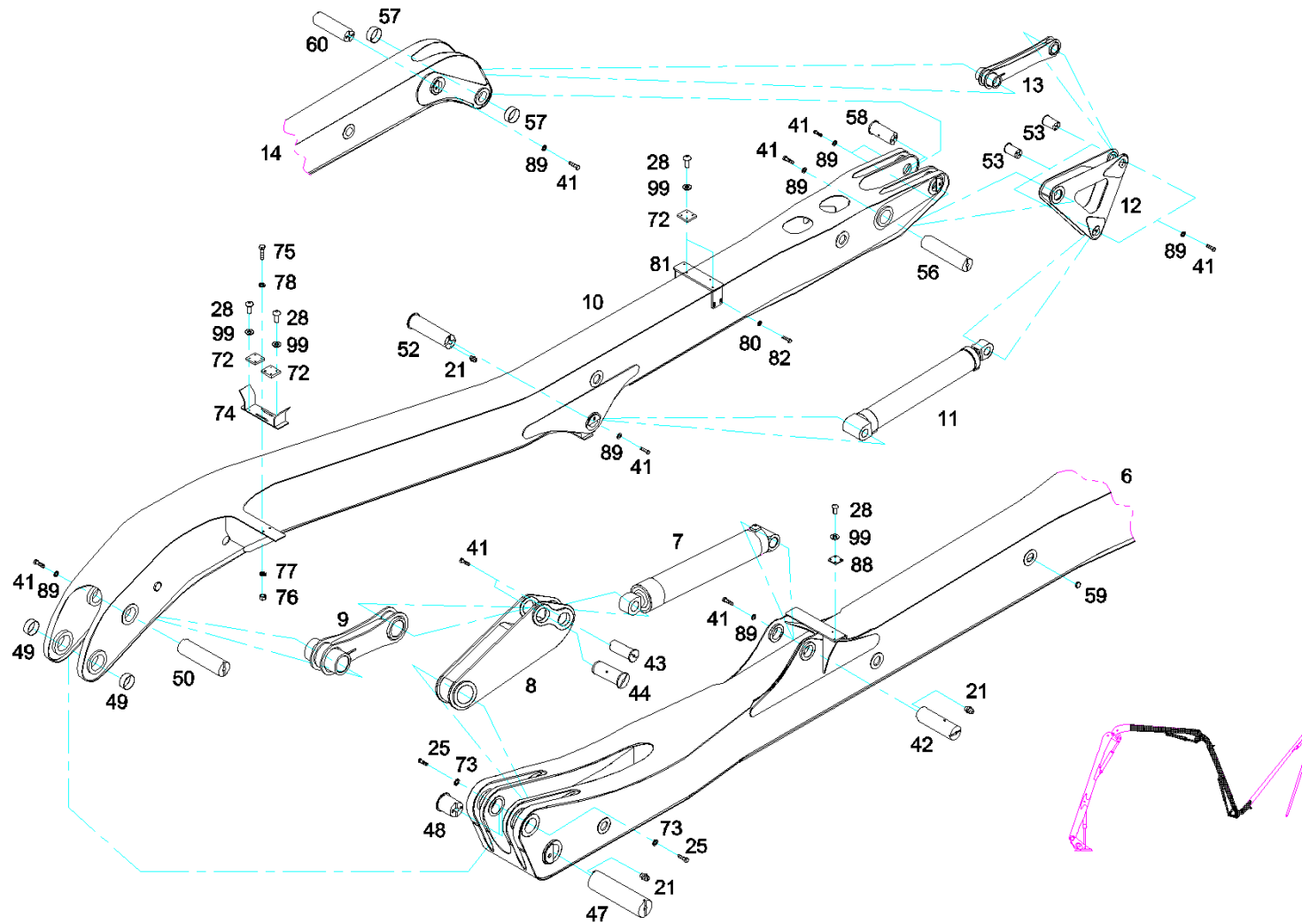
Item No.	Part No.	Description	Qty.	Remark
1	12554355	Hydraulic cylinder, 1#	1	
2	11686018	Boom (1)	1	
3	12554345	Hydraulic cylinder, 2#	1	
4	12825345	Connecting(1)BCB49C8.1.4	1	
5	12825346	Connecting(2)BCB49C8.1.5	1	
6	11682860	Boom (2)	1	
19	11681898	Shaft, boom	1	
20	12186292	Bearing	2	
21	A210804000001	Cup, oil	35	
22	A820204000571	Nut	1	
23	A210208000007	Screw	4	
25	A210111000220	Bolt	7	
26	11681849	Shaft(3)	1	
29	11681864	Shaft (4)	1	
30	11681868	Shaft (7)	2	
34	24000363	Bolt	4	
35	11681866	Shaft (6)	1	
36	A820208000441	Bearing	2	
37	11681865	Shaft (5)	2	
38	10886217	Shaft (6)	1	
73	A210405000008	Washer	11	
86	A820606020301	Cover, plug	4	



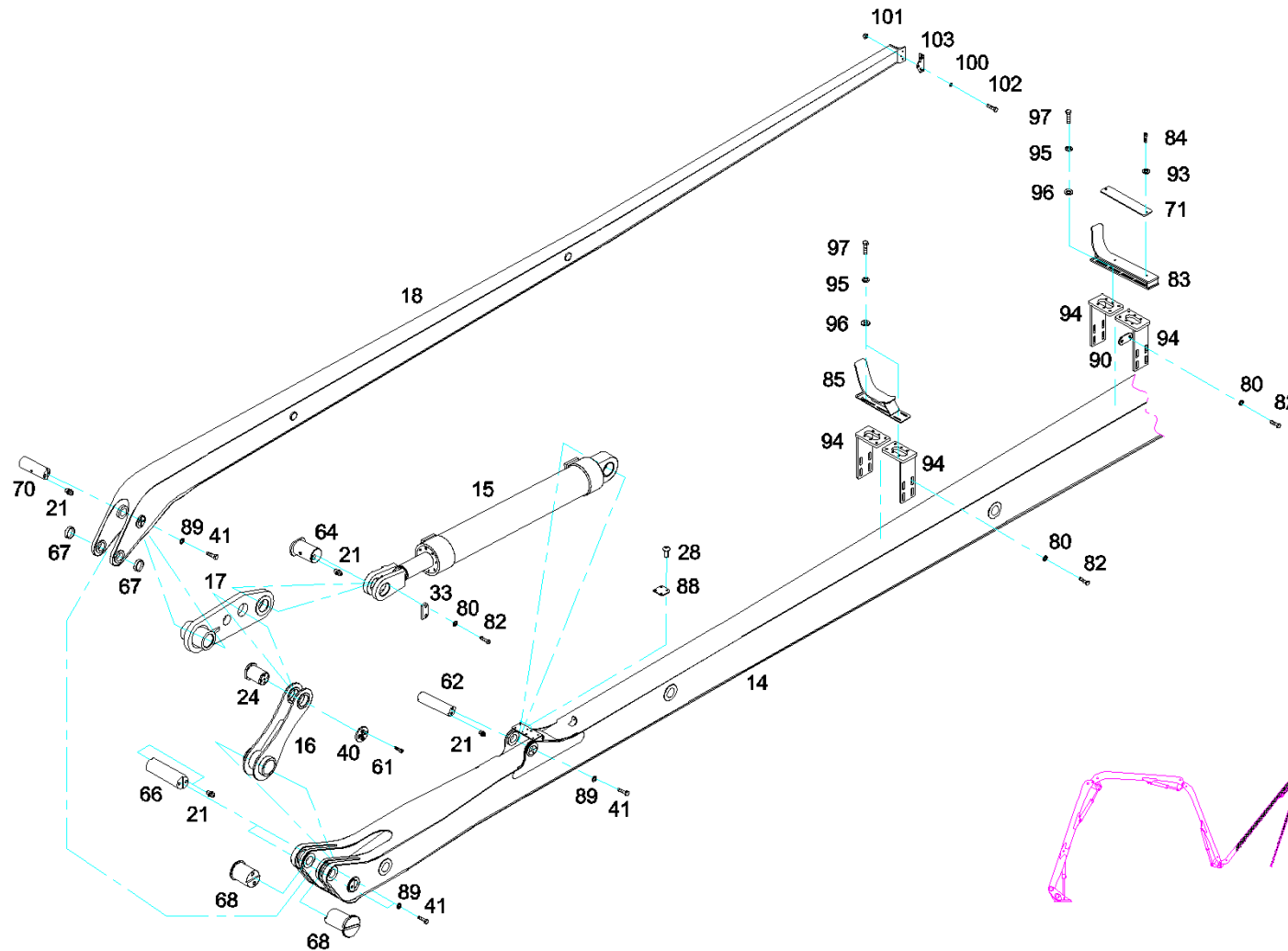
Item No.	Part No.	Description	Qty.	Remark
87	A820301990015	Block, stop	4	
88	12276778	Pad, buffer	5	
91	11670514	Pad, buffer	2	
92	23002289	Screw	8	
99	A210405000007	Washer	36	



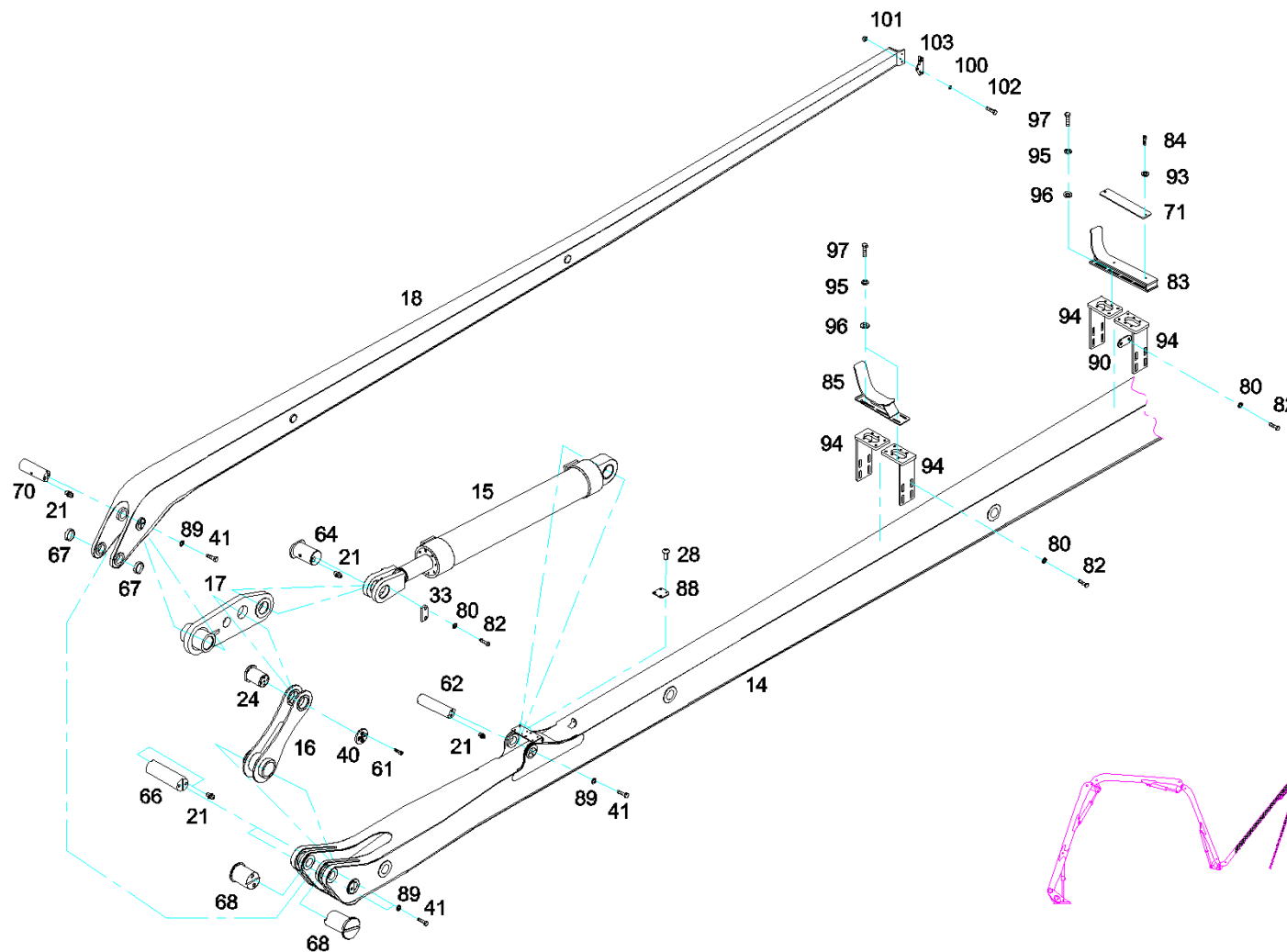
Item No.	Part No.	Description	Qty.	Remark
6	11682860	Boom (2)	1	
7	12554348	Hydraulic cylinder, 3#	1	
8	12825347	Connecting(3)BCB49C8.1.8	1	
9	12825348	Connecting(4)BCB49C8.1.9	1	
10	11997900	Boom (3)	1	
11	12554352	Hydraulic cylinder, 4#	1	
12	12825341	Connecting(5)BCB49C8.1.12	1	
13	12825342	Connecting(3)BCB49C8.1.13	1	
14	11994226	Boom (4)	1	
21	A210804000001	Cup, oil	35	
25	A210111000220	Bolt	7	
28	11670681	Screw, fixed	28	
41	A210111000212	Bolt	16	
42	11681869	Shaft (8)	1	
43	11681827	Shaft (10)	1	
44	11681863	Shaft (20)	1	
47	10900997	Shaft (10)	1	
48	11681870	Shaft(9)	2	
49	A820208000442	Bearing	2	
50	11681828	Shaft (11)	1	
52	11681829	Shaft (12)	1	
53	11681844	Shaft (14)	2	



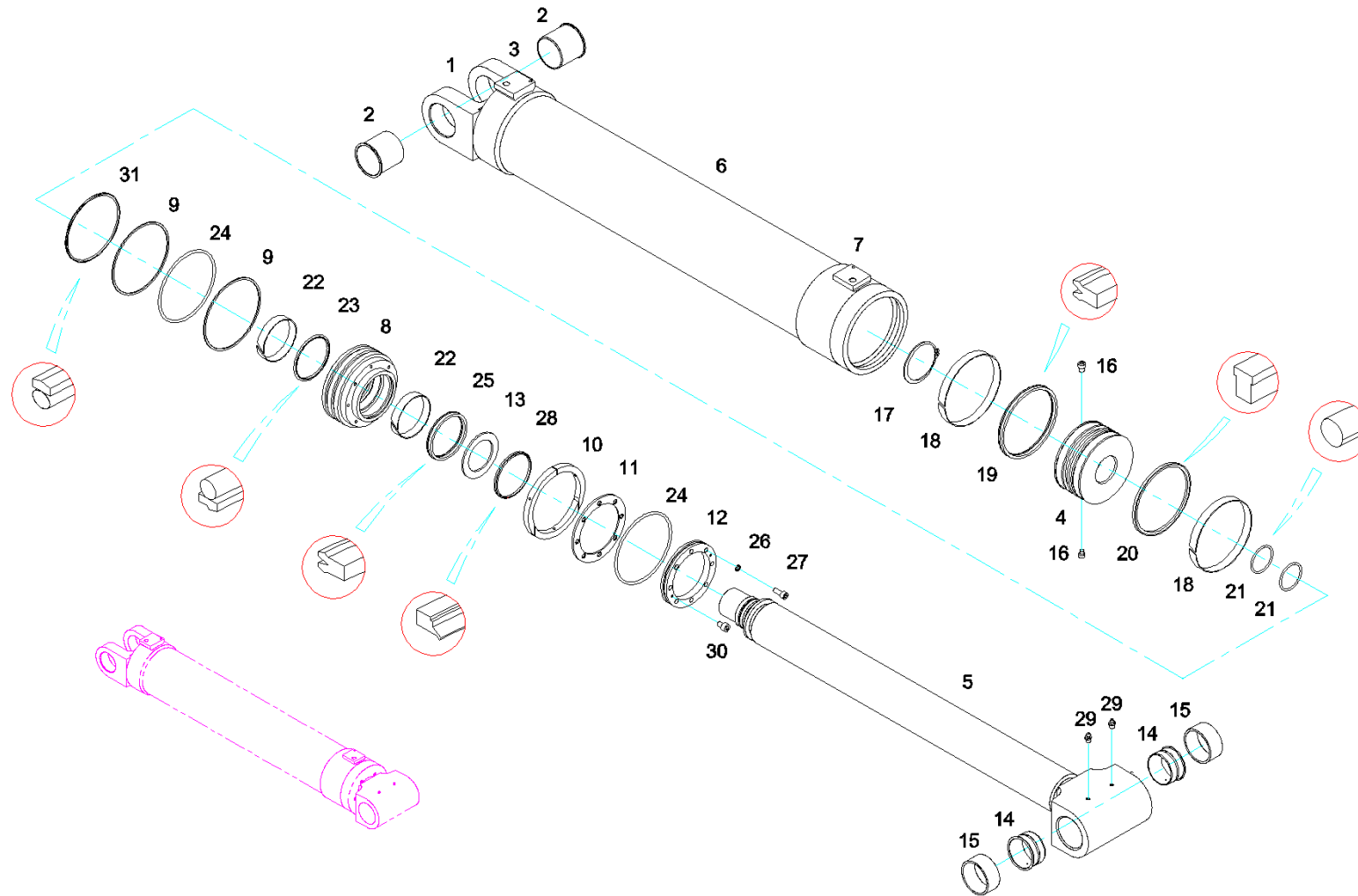
Item No.	Part No.	Description	Qty.	Remark
56	11150566	Shaft (15)	1	
57	A820208000443	Bearing	2	
58	11998826	Shaft (1)	2	
59	A820606020232	Cover, plug	23	
60	10880413	Shaft (13)	1	
72	12742061	Pad, buffer	4	
73	A210405000008	Washer	11	
74	11670868	Support, buffer	1	
75	A210111000023	Bolt	2	
76	A210319000001	Nut	2	
77	24002389	Washer	2	
78	A210404000003	Washer	2	
80	A210405000001	Washer	14	
81	11670871	Support, buffer	1	
82	A210204000167	Screw	14	
88	12276778	Pad, buffer	5	
89	A210405000003	Washer	16	
99	A210405000007	Washer	36	



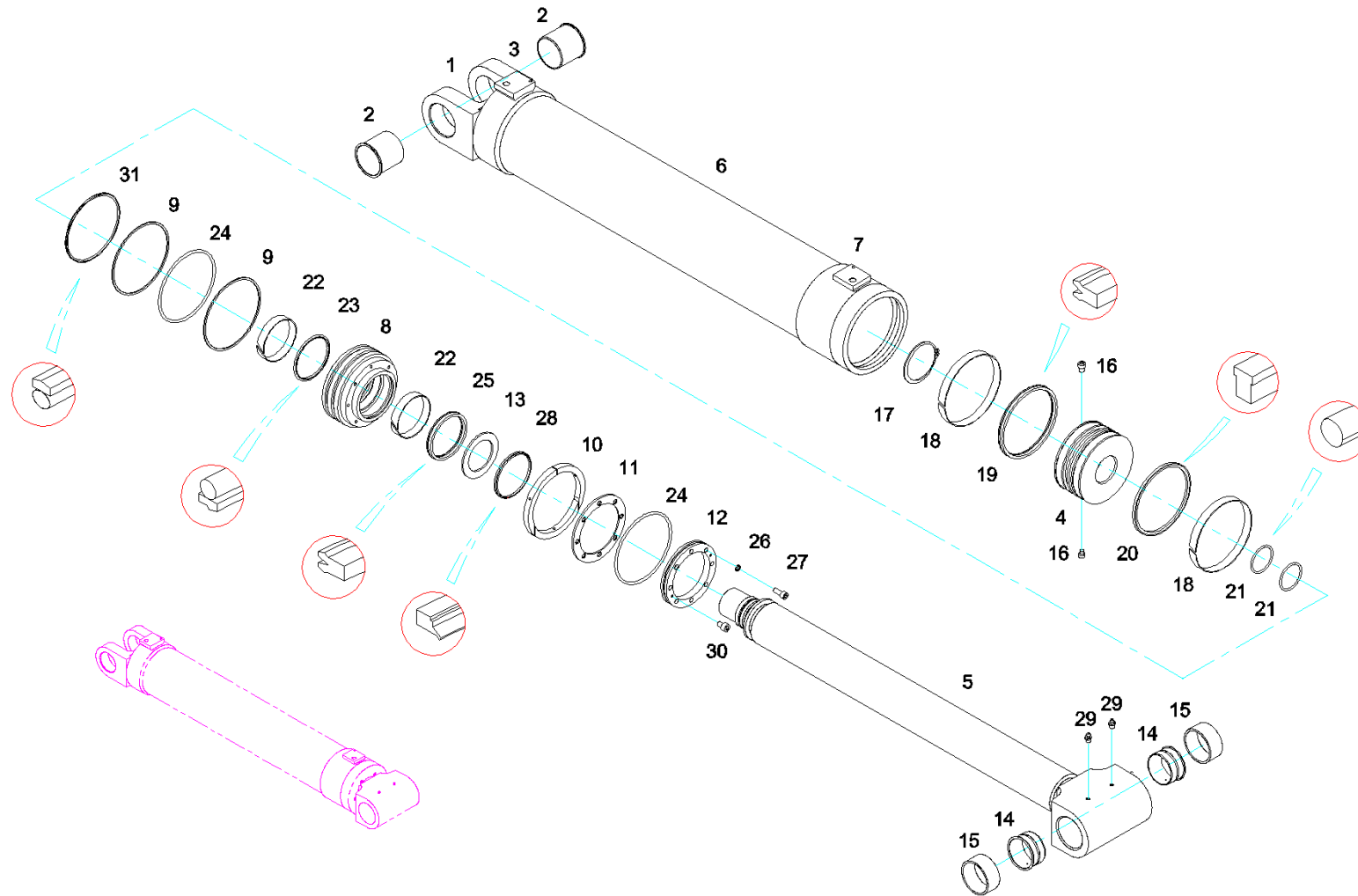
Item No.	Part No.	Description	Qty.	Remark
14	11994226	Boom (4)	1	
15	12554354	Hydraulic cylinder, 5#	1	
16	12825343	Connecting(7)BCB49C8.1.16	1	
17	12825344	Connecting(8)BCB49C8.1.17	1	
18	12550360	Boom (5)	1	
21	A210804000001	Cup, oil	35	
24	11998830	Shaft (5)	1	
28	11670681	Screw, fixed	28	
33	A820101213628	Baffle	1	
40	A820101063491	Baffle	1	
41	A210111000212	Bolt	16	
61	60206324	Screw	4	
62	11681845	Shaft (15)	1	
64	11998829	Shaft (4)	1	
66	11998827	Shaft (2)	1	
67	A820208000148	Bearing	2	
68	11681847	Shaft (17)	2	
70	11998828	Shaft (3)	1	
71	11156002	Pad, buffer	1	
80	A210405000001	Washer	14	
82	A210204000167	Screw	14	
83	12722880	Support AS	1	



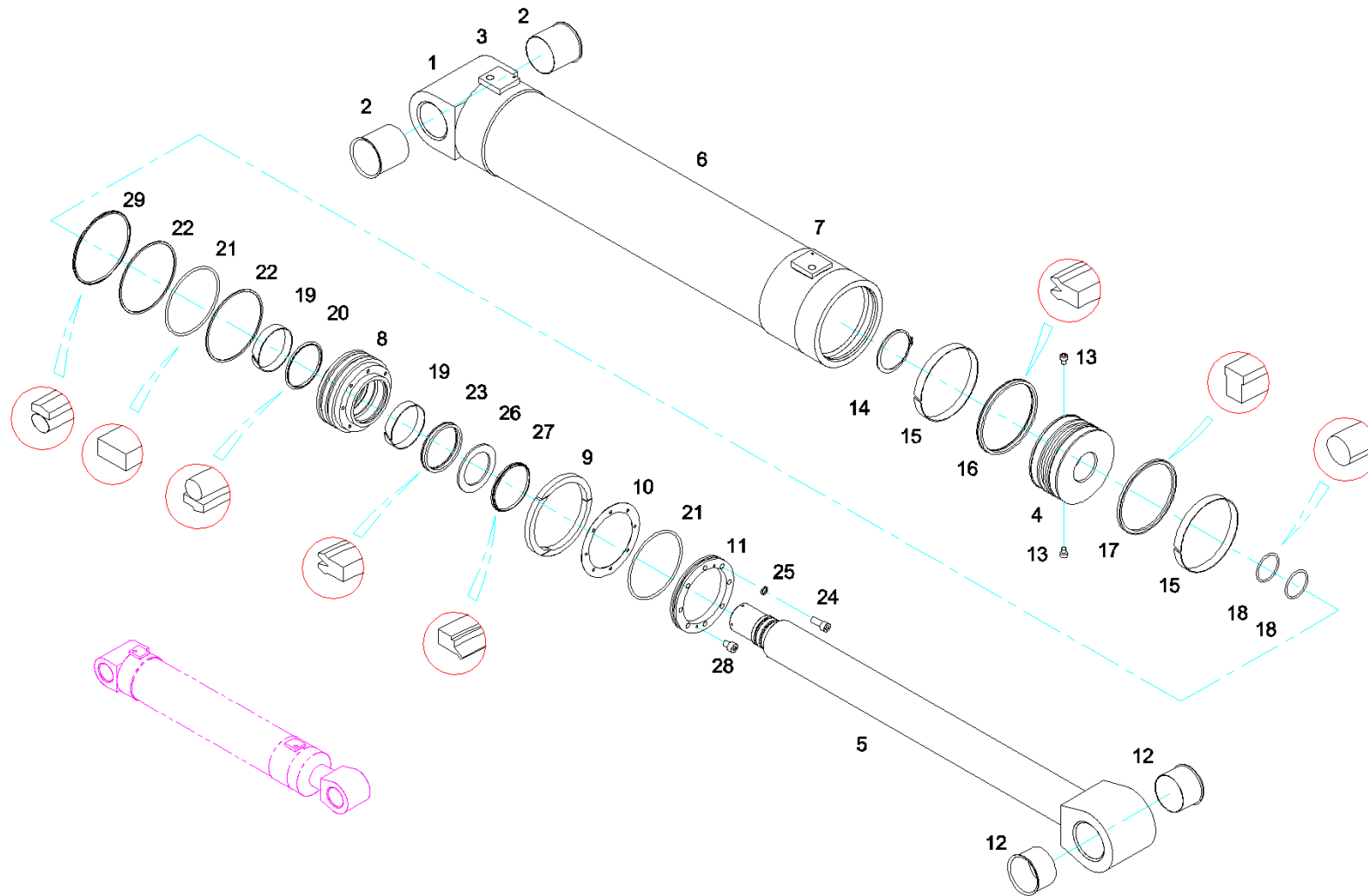
Item No.	Part No.	Description	Qty.	Remark
84	60140588	screw	2	
85	11696026	Support, hose	1	
88	12276778	Pad, buffer	5	
89	A210405000003	Washer	16	
90	11699880	Pad, adjusting	2	
93	A210405000011	Washer	2	
94	11700745	Seat	4	
95	A210401000017	Washer	12	
96	A210404000005	Washer	12	
97	A210111000088	Bolt	12	
100	A210401000004	Washer	3	
101	A210307000028	Nut	3	
102	A210111000053	Bolt	3	
103	11665464	Seat, bent tube, tail	1	



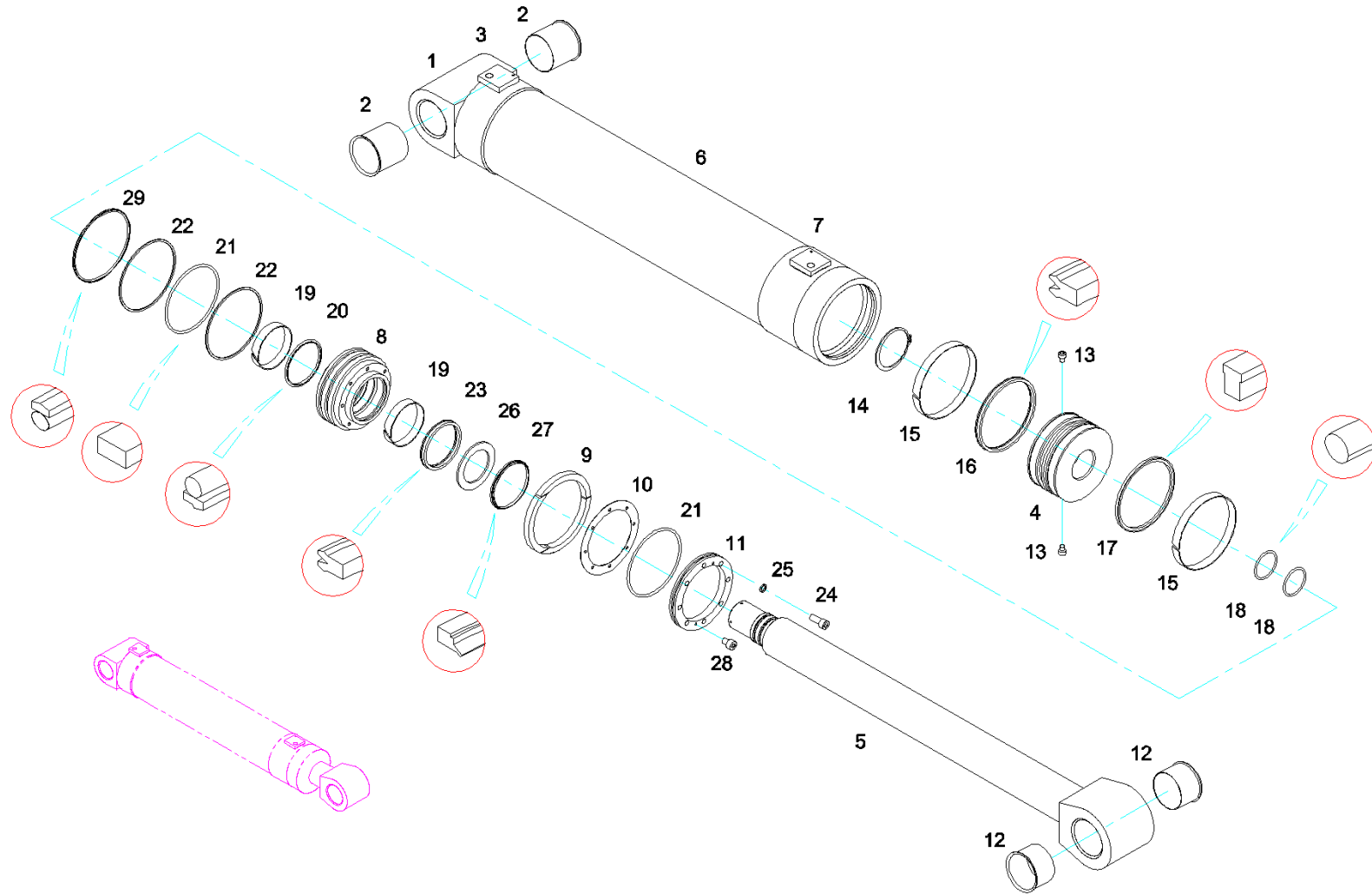
Item No.	Part No.	Description	Qty.	Remark
1	12556631	Bottom, cylinder	1	
2	10448241	Bearing	2	
3	11983475	Plate, mounting, valve	1	
4	12555384	Piston	1	
5	12612429	Piston rod GP	1	
6	12556694	Barrel, cylinder	1	
7	11983476	Plate, mounting, valve	1	
8	12553240	Sleeve, guide	1	
9	11098196	Ring, retainer	2	
10	11201998	Ring, snap	1	
11	11202001	Pad, seal	1	
12	11201999	Ring, retainer, snap ring	1	
13	12298496	Ring , retainer	1	
14	11677871	Sleeve, shaft	2	
15	11677873	Sleeve, positioning	2	
16	A210208000008	Screw	2	
17	A210414000016	Ring, retainer	1	
18	60128084	Orkot-ring, guide	2	
19	B230101002115	Seal, MPS-ring	1	
20	B230101000255	Seal, OK-ring	1	
21	A210608000319	O-ring	2	
22	60128073	Orkot-ring, guide	2	



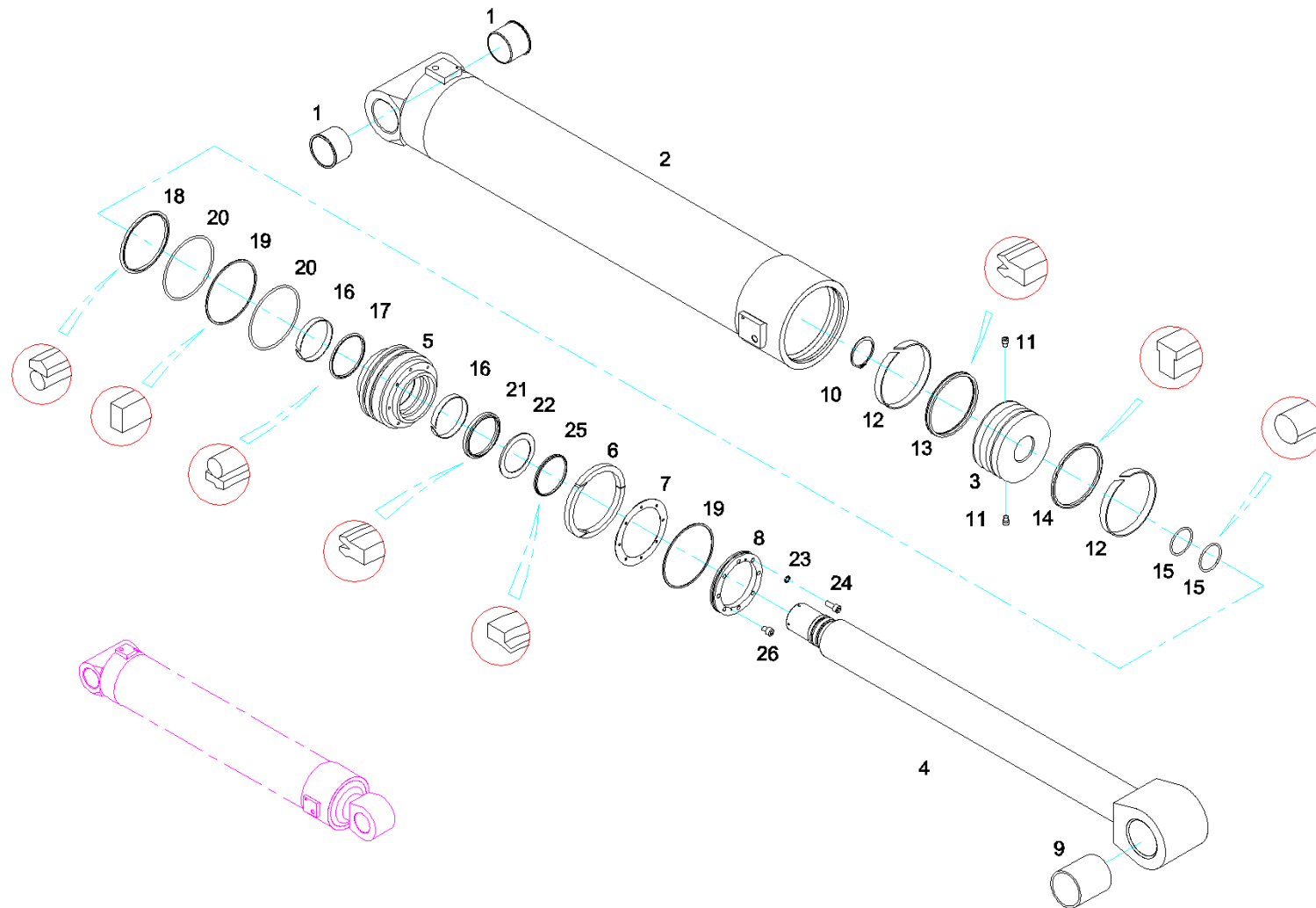
Item No.	Part No.	Description	Qty.	Remark
23	A880806030192	Seal, GS-ring	1	
24	A210609000149	O-ring	2	
25	B230101002136	Seal, MPS-ring	1	
26	A210401000017	Washer	8	
27	A210204000164	Screw	8	
28	B230101000355	Ring, dustproof	1	
29	A210804000001	Cup, oil	2	
30	A880801010064	Screw	2	
31	60124162	Ring, seal,K08-D	1	



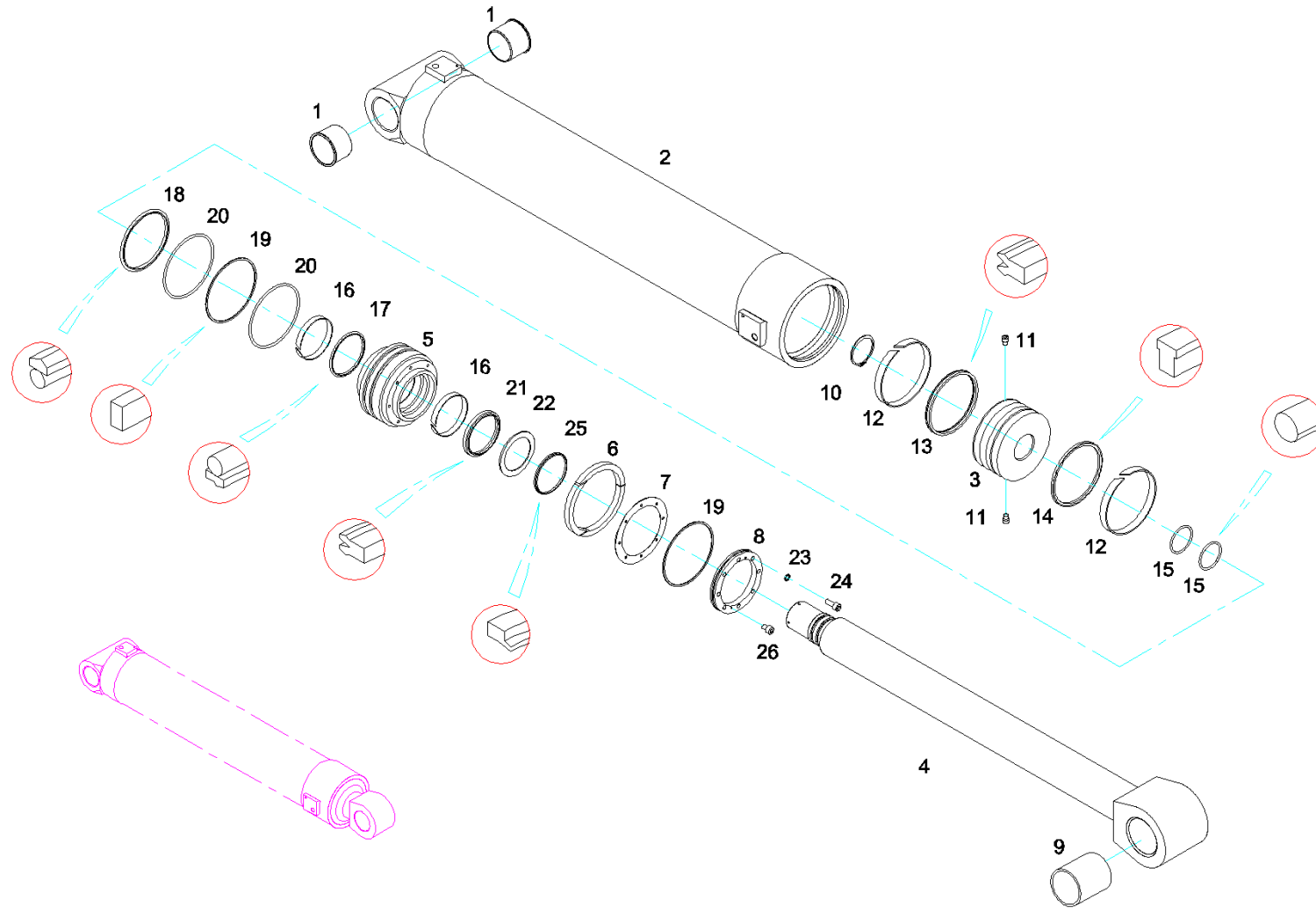
Item No.	Part No.	Description	Qty.	Remark
1	12556700	Bottom, cylinder	1	
2	10448241	Bearing	2	
3	11983475	Plate, mounting, valve	1	
4	12555384	Piston	1	
5	11676314	Rod, piston	1	
6	12556710	Barrel, cylinder	1	
7	11983476	Plate, mounting, valve	1	
8	12553240	Sleeve, guide	1	
9	11201998	Ring, snap	1	
10	11202001	Pad, seal	1	
11	11201999	Ring, retainer, snap ring	1	
12	A820208000102	Bearing	2	
13	A210208000008	Screw	2	
14	A210414000016	Ring, retainer	1	
15	60128084	Orkot-ring, guide	2	
16	B230101002115	Seal, MPS-ring	1	
17	B230101000255	Seal, OK-ring	1	
18	A210608000319	O-ring	2	
19	60128073	Orkot-ring, guide	2	
20	A880806030192	Seal, GS-ring	1	
21	A210609000149	O-ring	2	
22	11098196	Ring, retainer	2	



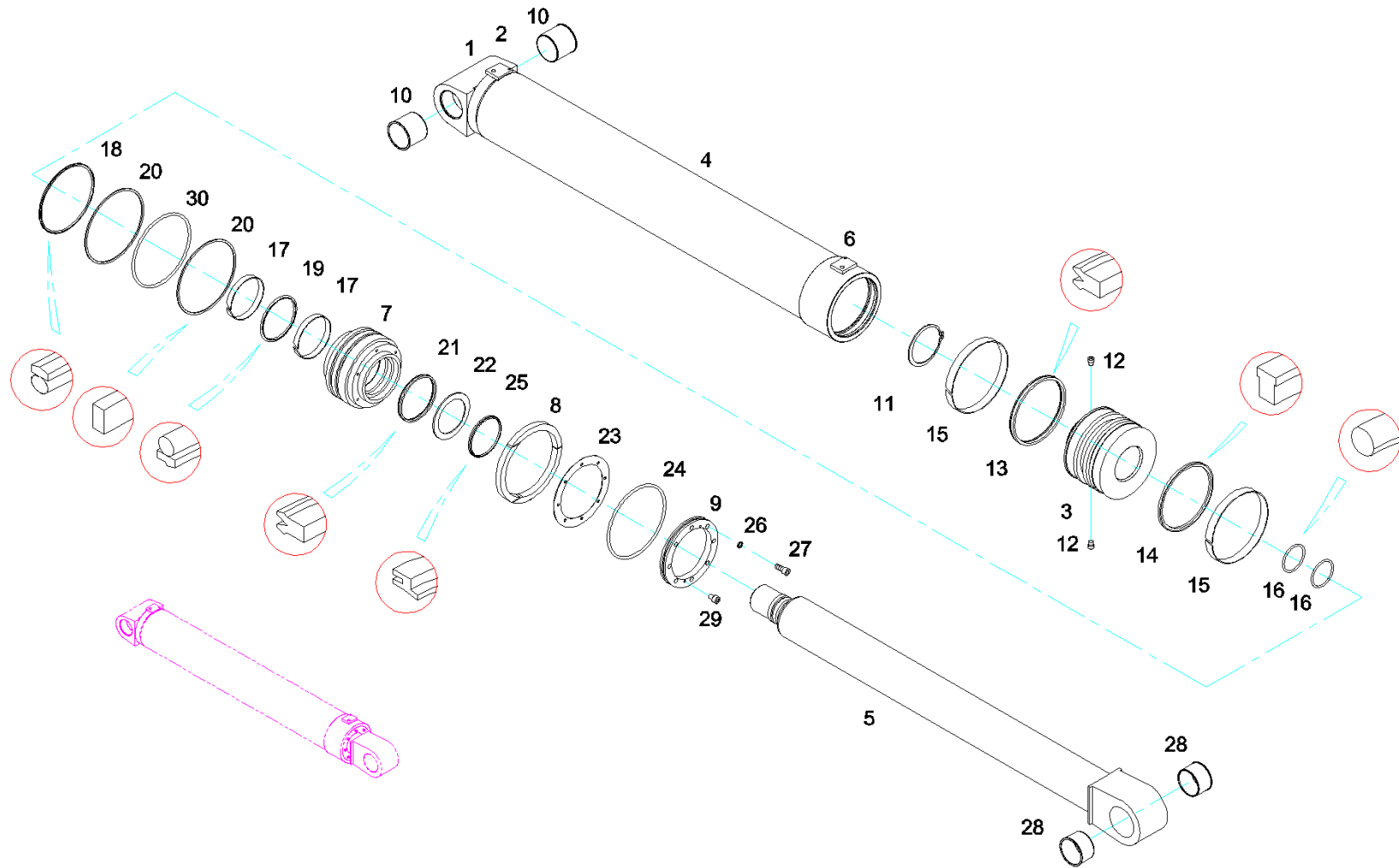
Item No.	Part No.	Description	Qty.	Remark
23	B230101002136	Seal, MPS-ring	1	
24	A210204000164	Screw	8	
25	A210401000017	Washer	8	
26	12298496	Ring , retainer	1	
27	B230101000355	Ring, dustproof	1	
28	A880801010064	Screw	2	
29	60124162	Ring, seal,K08-D	1	



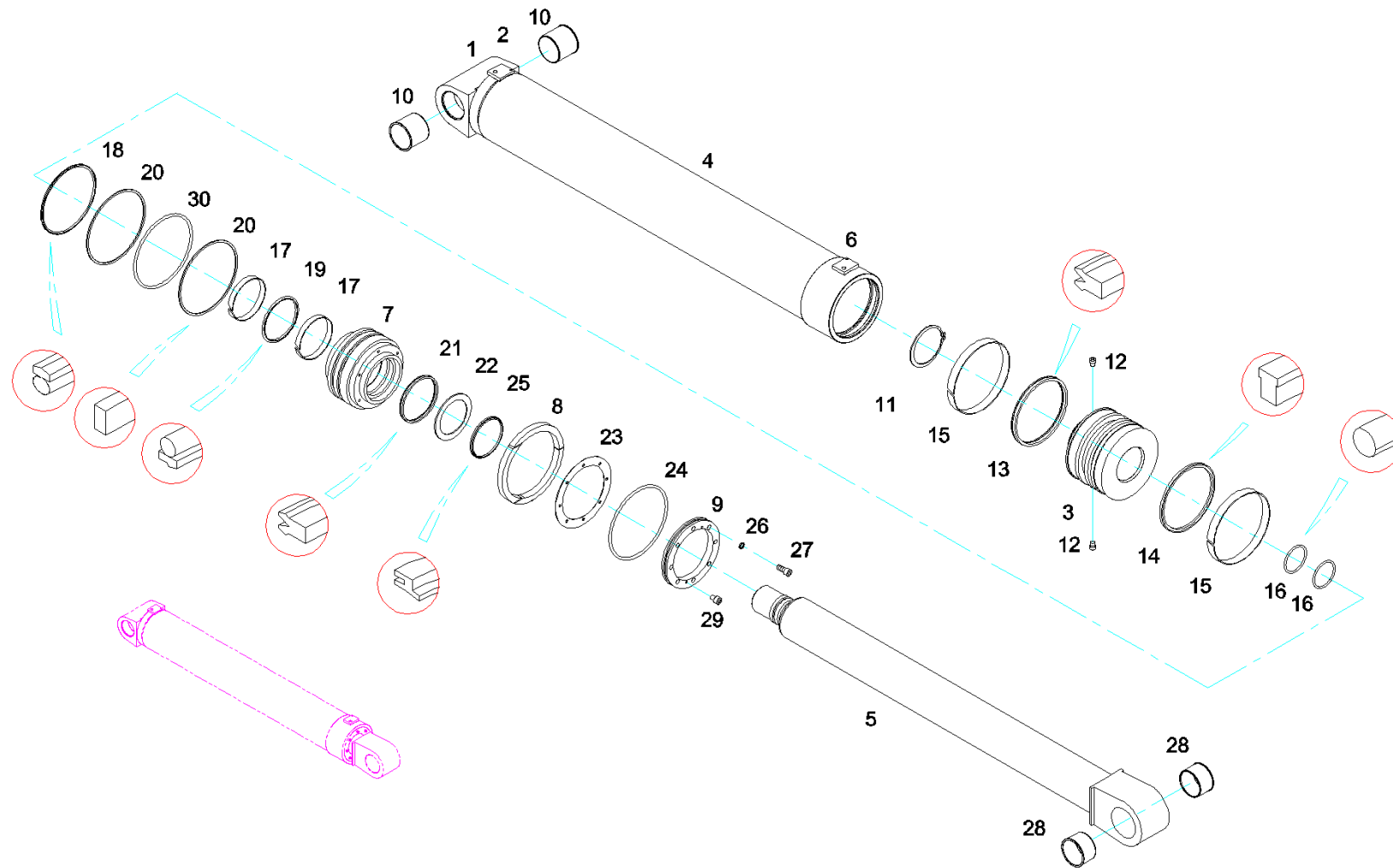
Item No.	Part No.	Description	Qty.	Remark
1	A820208000400	Bushing	2	
2	12556712	Cylinder barrel GP	1	
3	12555398	Piston	1	
4	11674556	Piston rod GP	1	
5	12555404	Sleeve, guide	1	
6	11123074	Ring, snap	1	
7	11519677	Pad, seal	1	
8	12555447	Ring, retainer, snap ring	1	
9	A820208000448	Bearing	1	
10	A210414000014	Ring, retainer	1	
11	A210208000007	Screw	2	
12	60128082	Orkot-ring, guide	2	
13	B230101002113	Ring, seal, UNP	1	
14	B230101000021	Ring, seal, OK-type	1	
15	A210609000273	O-ring	2	
16	60128070	Orkot-ring, guide	2	
17	A880806030017	Ring, seal, OD-GS	1	
18	60124160	Seal, K08-D-ring	1	
19	A210609000028	O-ring	2	
20	11169029	Ring, retainer	2	
21	B230101002134	Ring, seal, MPS-type	1	
22	12298494	Ring, retainer	1	



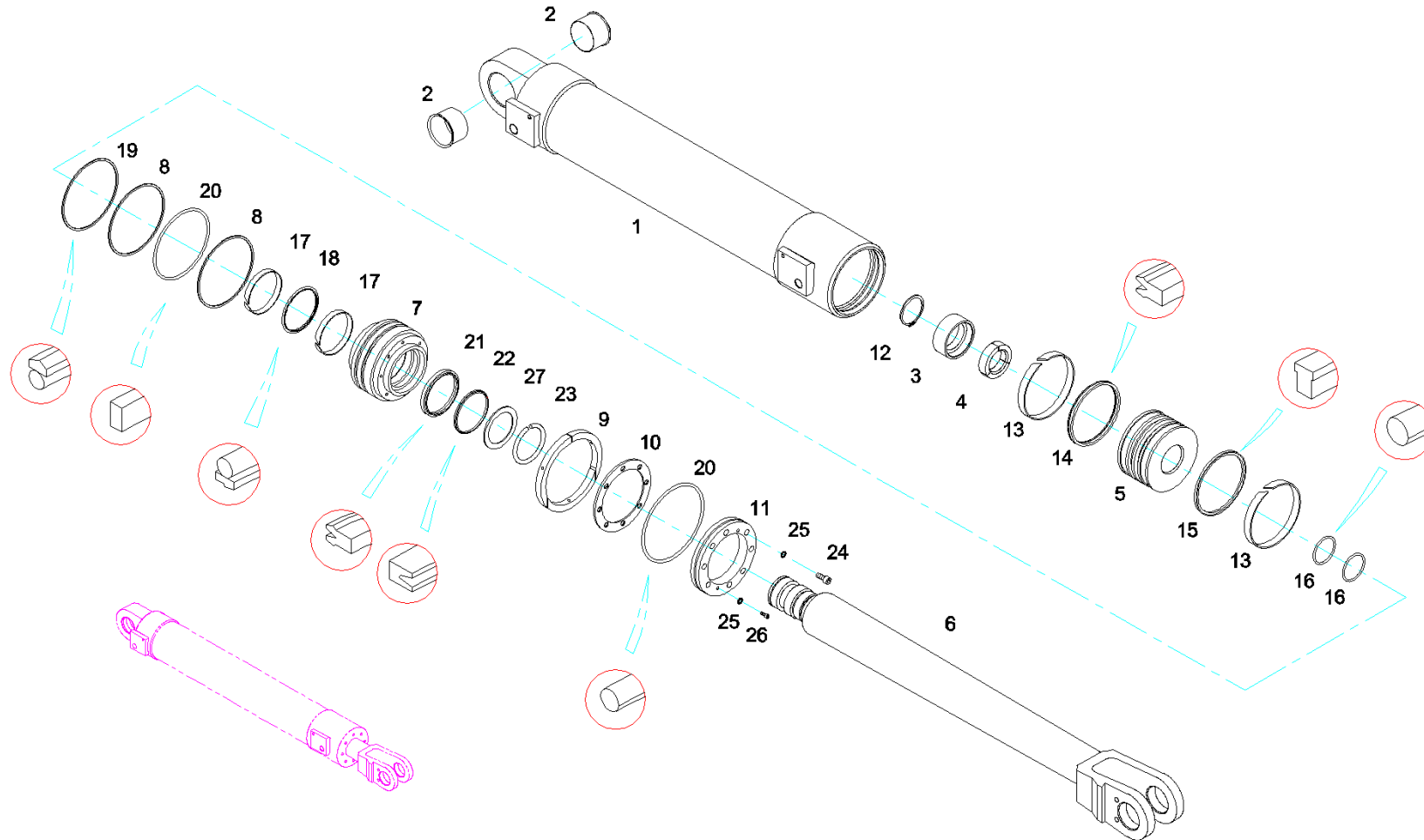
Item No.	Part No.	Description	Qty.	Remark
23	A210401000017	Washer	8	
24	A210204000164	Screw	8	
25	B230101002096	Ring, dustproof	1	
26	24004165	Screw	2	



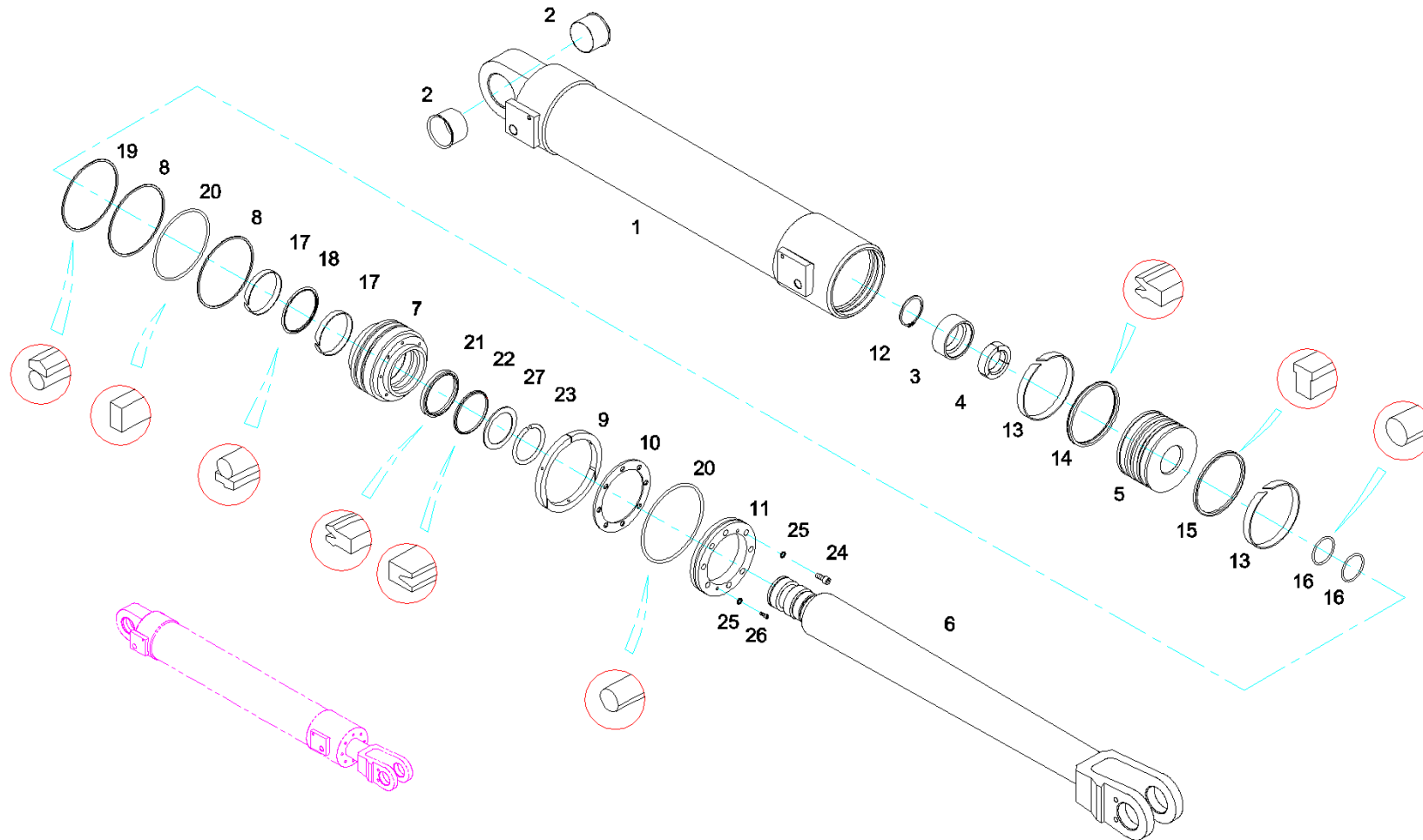
Item No.	Part No.	Description	Qty.	Remark
1	11677388	Bottom, cylinder	1	
2	11132803	Plate, mounting, valve	1	
3	12553560	Piston	1	
4	12556718	Barrel, cylinder	1	
5	11677581	Piston rod GP	1	
6	11132804	Plate, mounting, valve	1	
7	12553521	Sleeve, guide	1	
8	A820208000059	Key, clipping, hole	1	
9	11521755	Ring, retainer, snap ring	1	
10	A820208000402	Bushing	2	
11	A210414000010	Ring, retainer	1	
12	A210208000001	Screw	2	
13	B230101002108	Ring, seal, UNP	1	
14	B230101000034	Ring, seal, OK	1	
15	60128076	Orkot-ring, guide	2	
16	A210609000273	O-ring	2	
17	60163998	Ring, guide	2	
18	60124156	Seal, ktr D-ring	1	
19	A880806030020	Seal, GS-ring	1	
20	10250753	Ring, retaining	2	
21	B230101002133	Ring, seal	1	
22	12298493	Ring, retainer	1	



Item No.	Part No.	Description	Qty.	Remark
23	11521750	Pad, seal	1	
24	A210609000276	O-ring	1	
25	60001603	PW-ring, dustproof	1	
26	A210401000016	Washer	8	
27	A210204000134	Screw	8	
28	A820208000381	Bearing	2	
29	A210208000020	Screw	2	
30	A210609000216	O-ring	1	



Item No.	Part No.	Description	Qty.	Remark
1	12559106	Cylinder barrel GP	1	
2	A820202000991	Bearing	2	
3	A820202002444	Cap, key, clipping	1	
4	A820208000239	Key, clipping, shaft	1	
5	A820402000260	Piston	1	
6	12054019	Rod, piston	1	
7	12553575	Sleeve, guide	1	
8	10250743	Ring, retainer	2	
9	A820208000028	Key, clipping, hole	1	
10	11984137	Pad, seal	1	
11	12054013	Ring, retainer	1	
12	A210414000037	Ring, retainer	1	
13	60128069	Orkot-ring, guide	2	
14	B230101002105	Seal, MPS-ring	1	
15	B230101000138	Seal, OK-ring	1	
16	A210609000062	O-ring	2	
17	60128091	Orkot-ring, guide	2	
18	B230101000732	Seal, ring	1	
19	60072120	Seal, K08-D-ring	1	
20	A210609000275	O-ring	2	
21	B230101002125	Seal, MPS-ring	1	
22	60053983	Ring, dustproof	1	

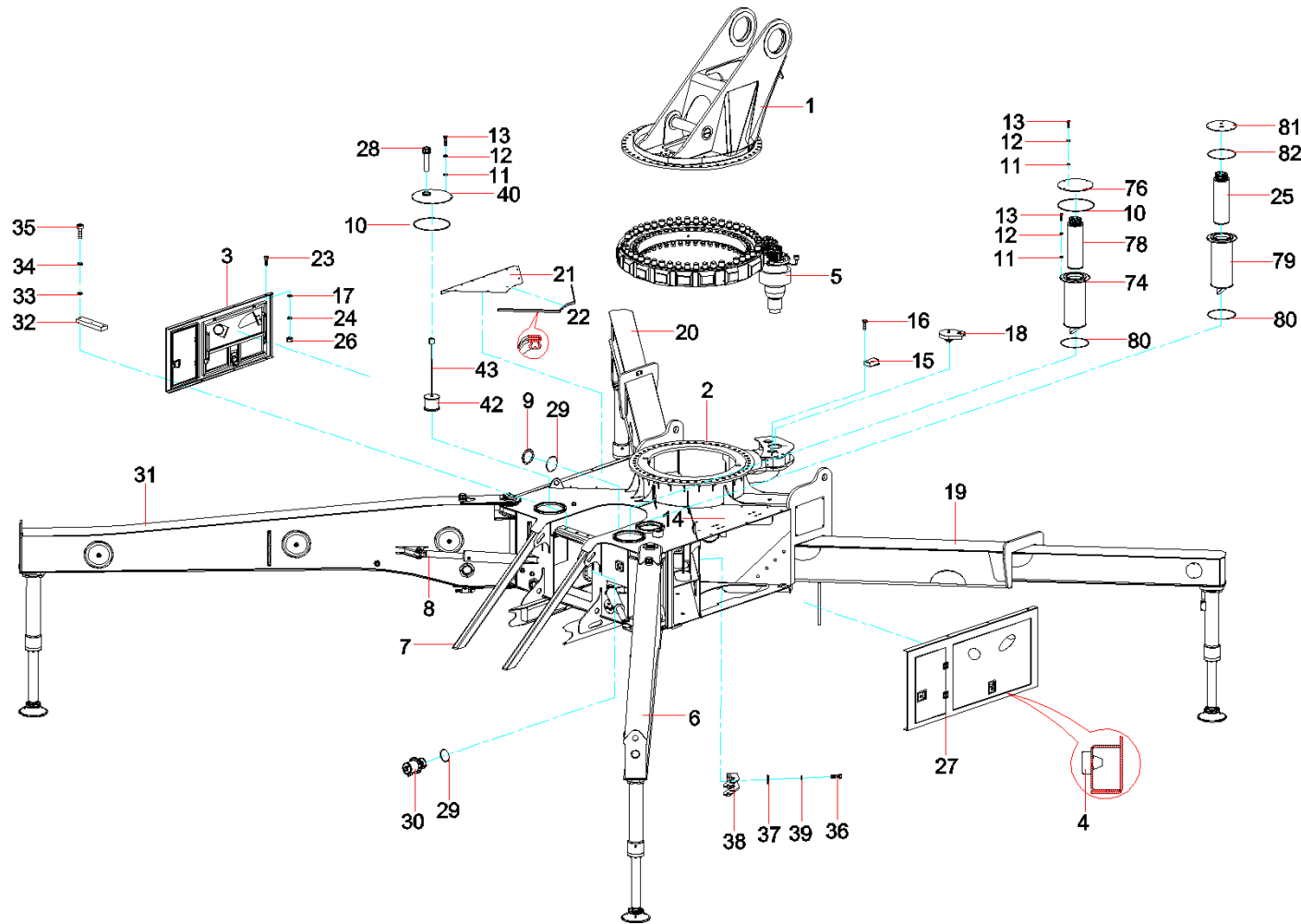


Item No.	Part No.	Description	Qty.	Remark
23	A210417000105	Ring, retainer	1	
24	A210204000118	Screw	8	
25	A210401000015	Washer	10	
26	A210204000152	Screw	2	
27	12298514	Ring, retainer	1	

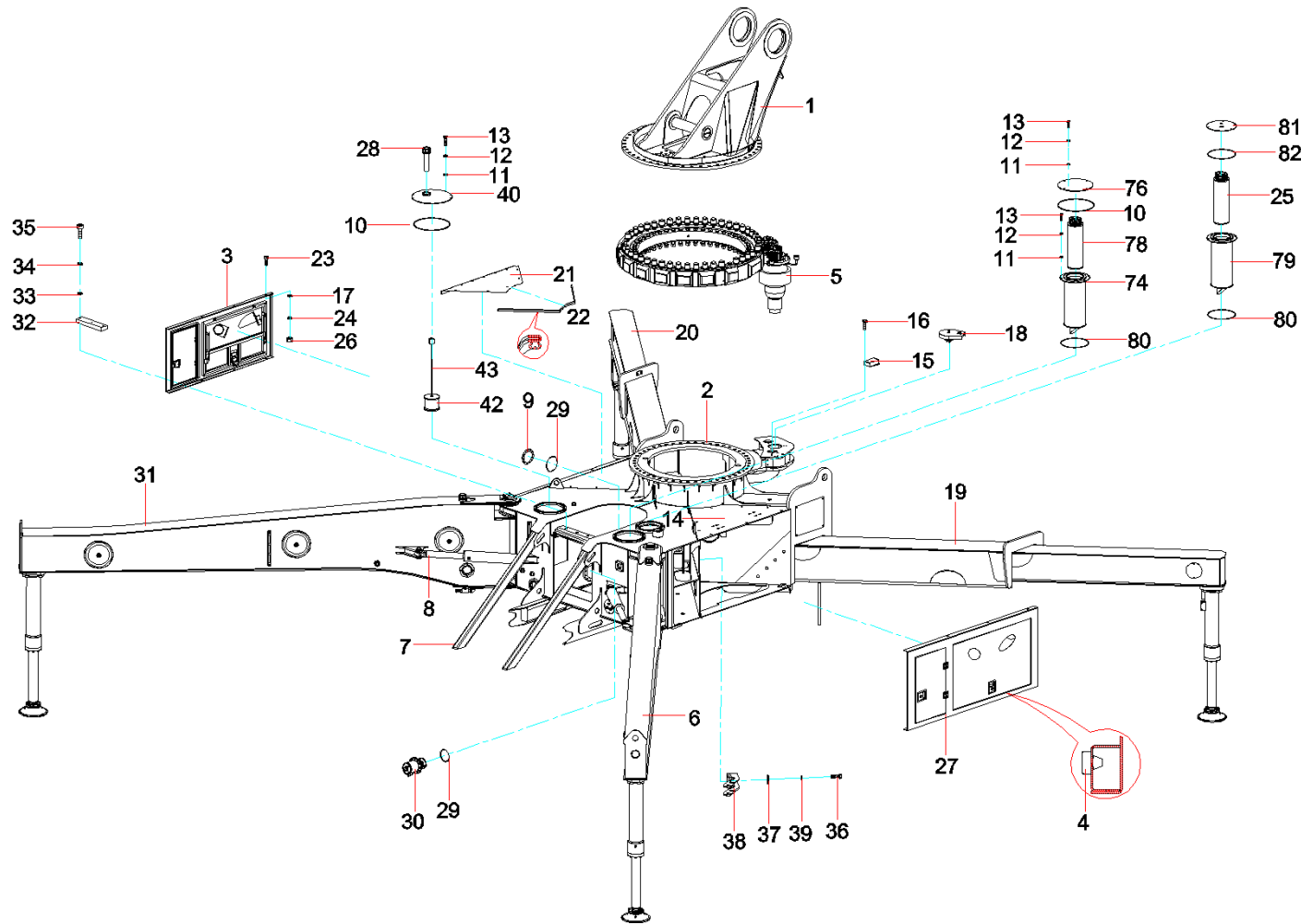


Group 3

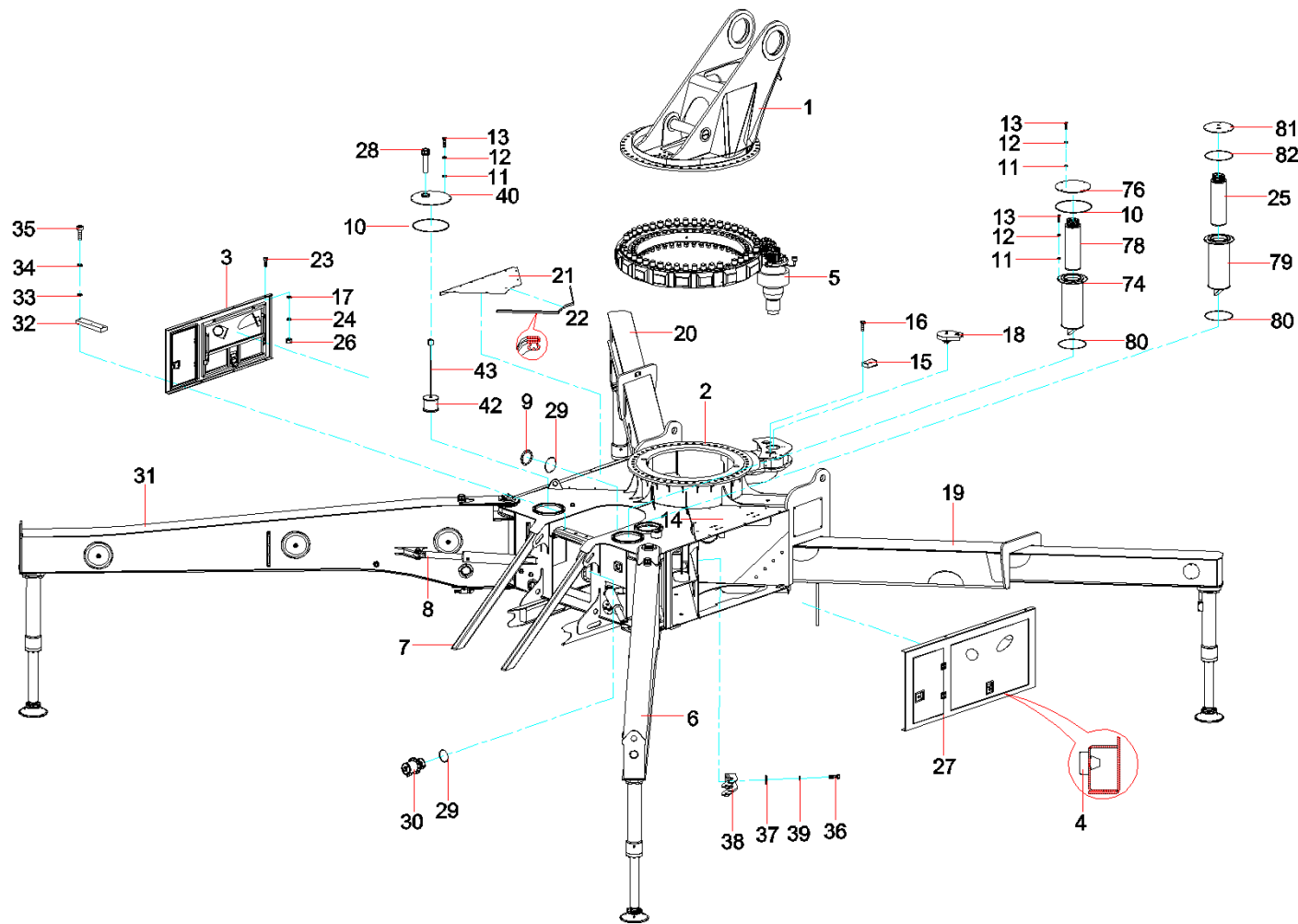
Tower, revolving



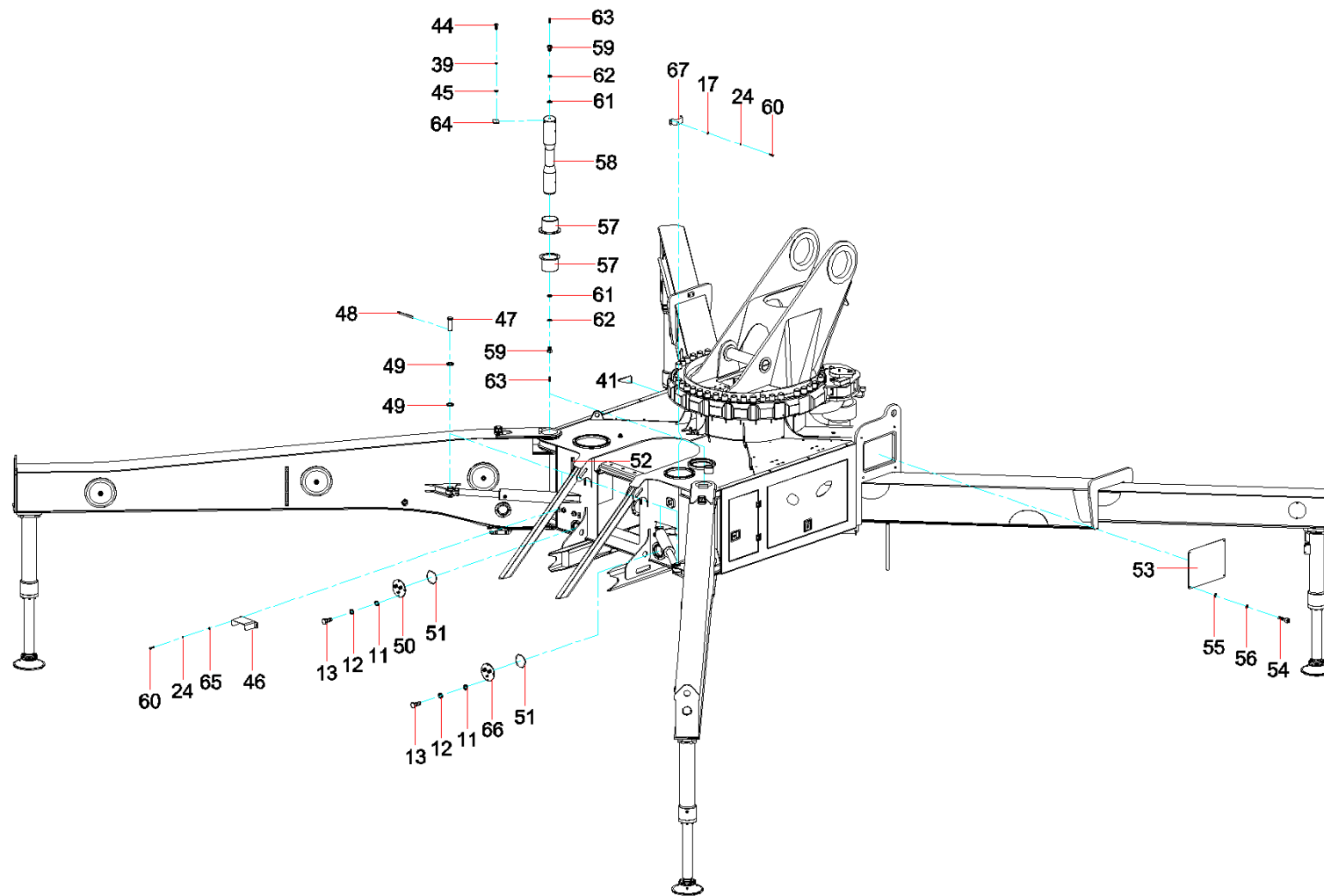
Item No.	Part No.	Description	Qty.	Remark
1	11646381	Turntable AS	1	
2	12754183	Tower, revolving, fixed	1	
3	12391997	Covering part, left	1	
4	11092222	Pad, rubber, damping	4	
5	11493496	Slewing mechanism	1	
6	12639162	Outrigger, rear, right	1	
7	12754180	Beam, straining, diagonal	2	
8	A810302010036	Cylinder, spread, outrigger, rear	2	
9	A820203002568	Cover, flange	1	
10	A210609000325	O-ring	3	
11	A210405000011	Washer	70	
12	A210401000001	Washer	70	
13	A210111000011	Bolt	70	
14	12826913	Plate AS, end, upper, right	1	
15	11995848	Cover, rain, leveling gauge	1	
16	A210204000115	Screw	4	
17	A210404000005	Washer	48	
18	11141675	Mounting, encoder, turntable	1	
19	12637820	Outrigger, front, right	1	
20	12637895	Outrigger, front, left	1	
21	11679836	Plate, sealing, upper, left	1	
22	11228653	Strip, rubber, sealing	2	



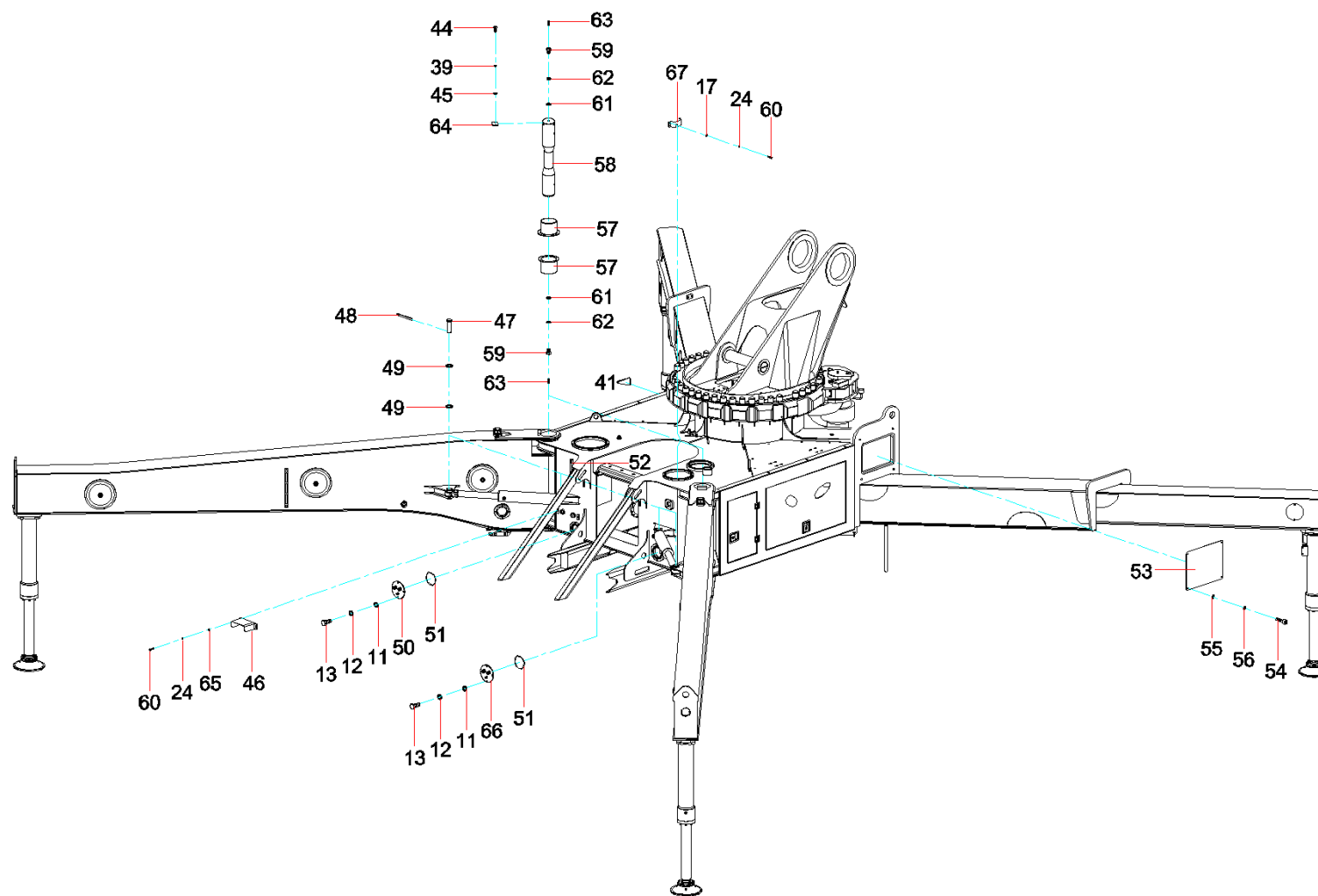
Item No.	Part No.	Description	Qty.	Remark
23	A210111000091	Bolt	22	
24	A210401000017	Washer	28	
25	60193267	Element GP, filter, return oil	1	
26	A210307000012	Nut	22	
27	12391998	Covering part, right	1	
28	60193268	Filter, Air, lock	2	
29	A210609000216	O-ring	1	
30	A810302060096	Self-sealing device, port, oil intake, oil tank	1	
31	12639161	Outrigger, rear, left	1	
32	11687006	Support	1	
33	A210405000008	Washer	4	
34	A210401000006	Washer	4	
35	A210111000107	Bolt	4	
36	A210111000038	Bolt	4	
37	A210404000004	Washer	4	
38	11763495	Seat, mounting, guide wheel	2	
39	A210401000002	Washer	4	
40	12562414	Flange cover AS	1	
42	60101257	Filter, oil suction	1	
43	12711811	Rod, tie	1	
74	12826772	Seat, mounting	1	
76	12809092	Cover, oil return	1	



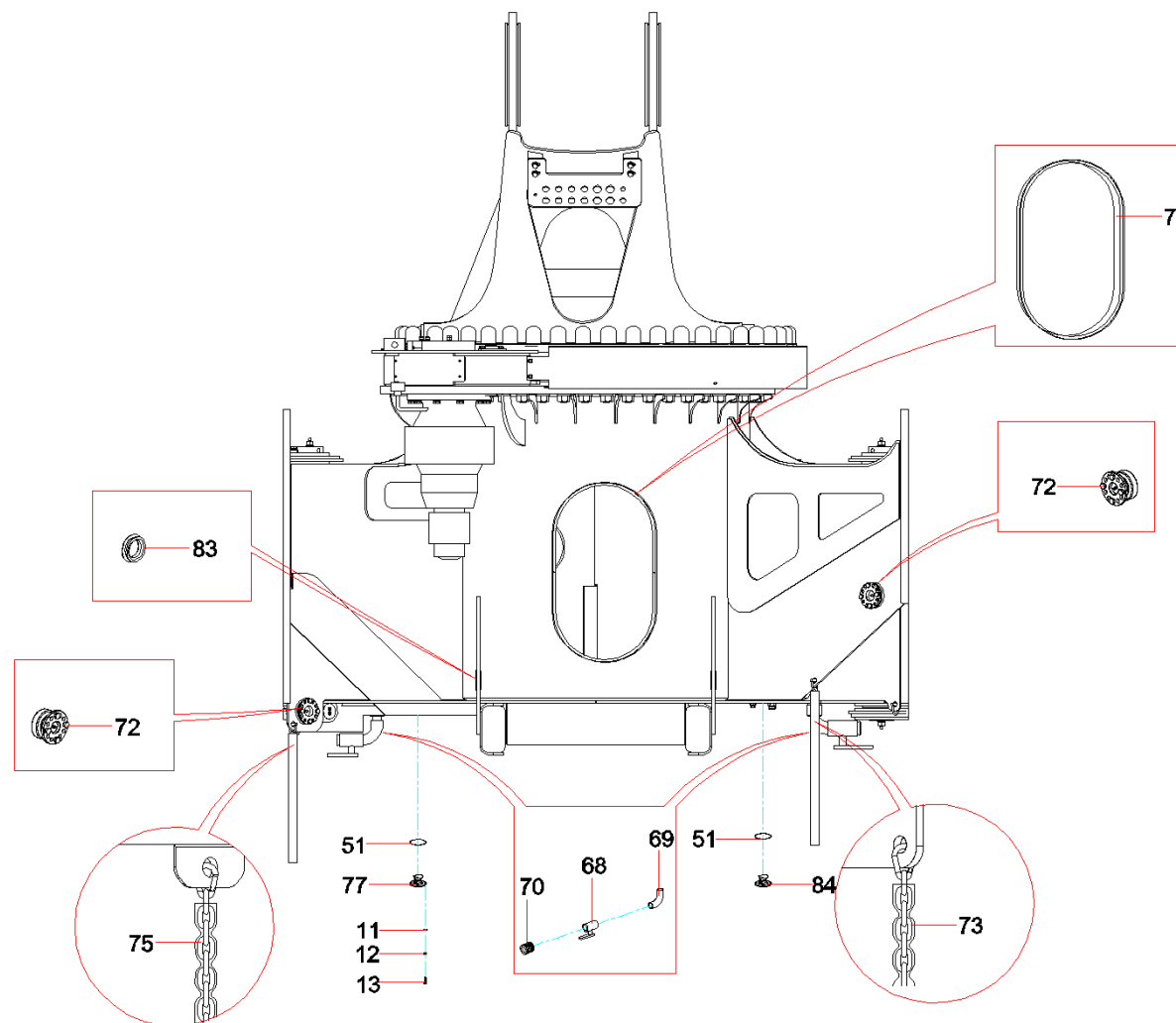
Item No.	Part No.	Description	Qty.	Remark
78	60193266	Element GP, filter, return oil	1	
79	12532447	Seat, installation	1	
80	A210609000294	O-ring	2	
81	12809097	Oil return flange components	1	
82	21010435	O-ring	1	



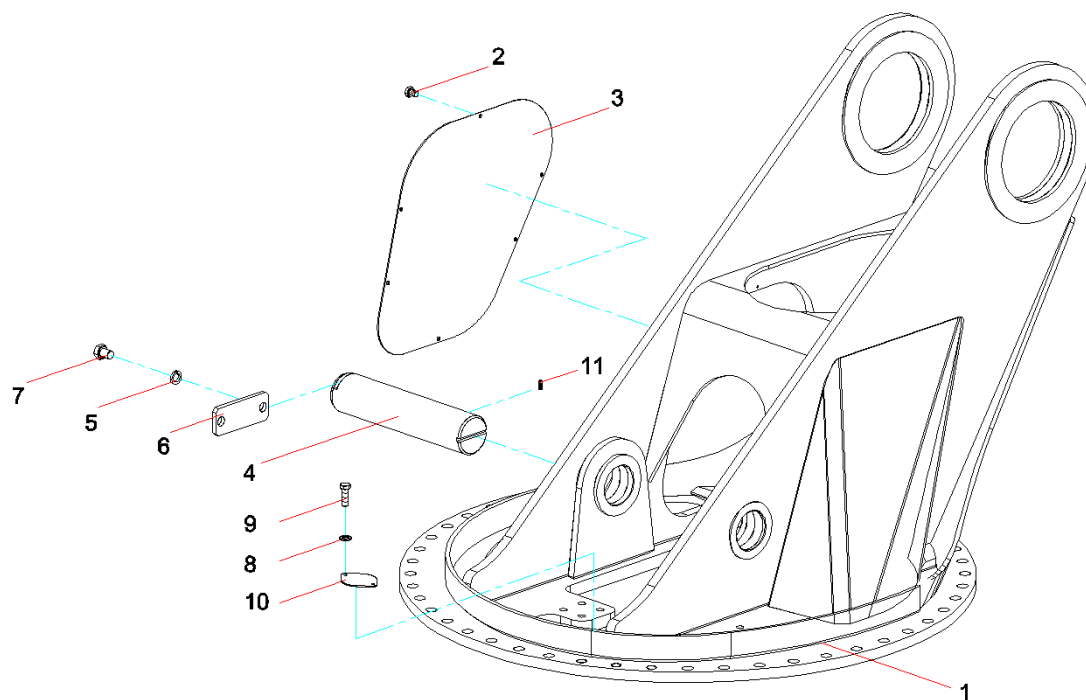
Item No.	Part No.	Description	Qty.	Remark
11	A210405000011	Washer	70	
12	A210401000001	Washer	70	
13	A210111000011	Bolt	70	
17	A210404000005	Washer	48	
24	A210401000017	Washer	28	
39	A210401000002	Washer	4	
41	11119380	Strip, seal	1	
44	A210111000101	Bolt	4	
45	A210405000001	Washer	8	
46	12394742	Cover, protective	1	
47	A820301010204	Shaft	4	
48	A210491000020	Pin	4	
49	A820202000248	Sleeve, limit	8	
50	12864077	Cover, flange	1	
51	A210608000151	O-ring	4	
52	A250100000029	Gauge, liquid level and temperature	2	
53	11516892	Plate, cover	1	
54	A210204000129	Screw	4	
55	A210405000006	Washer	4	
56	A210401000016	Washer	4	
57	A820202002314	Sleeve, copper	4	
58	11511245	Shaft, outrigger	2	



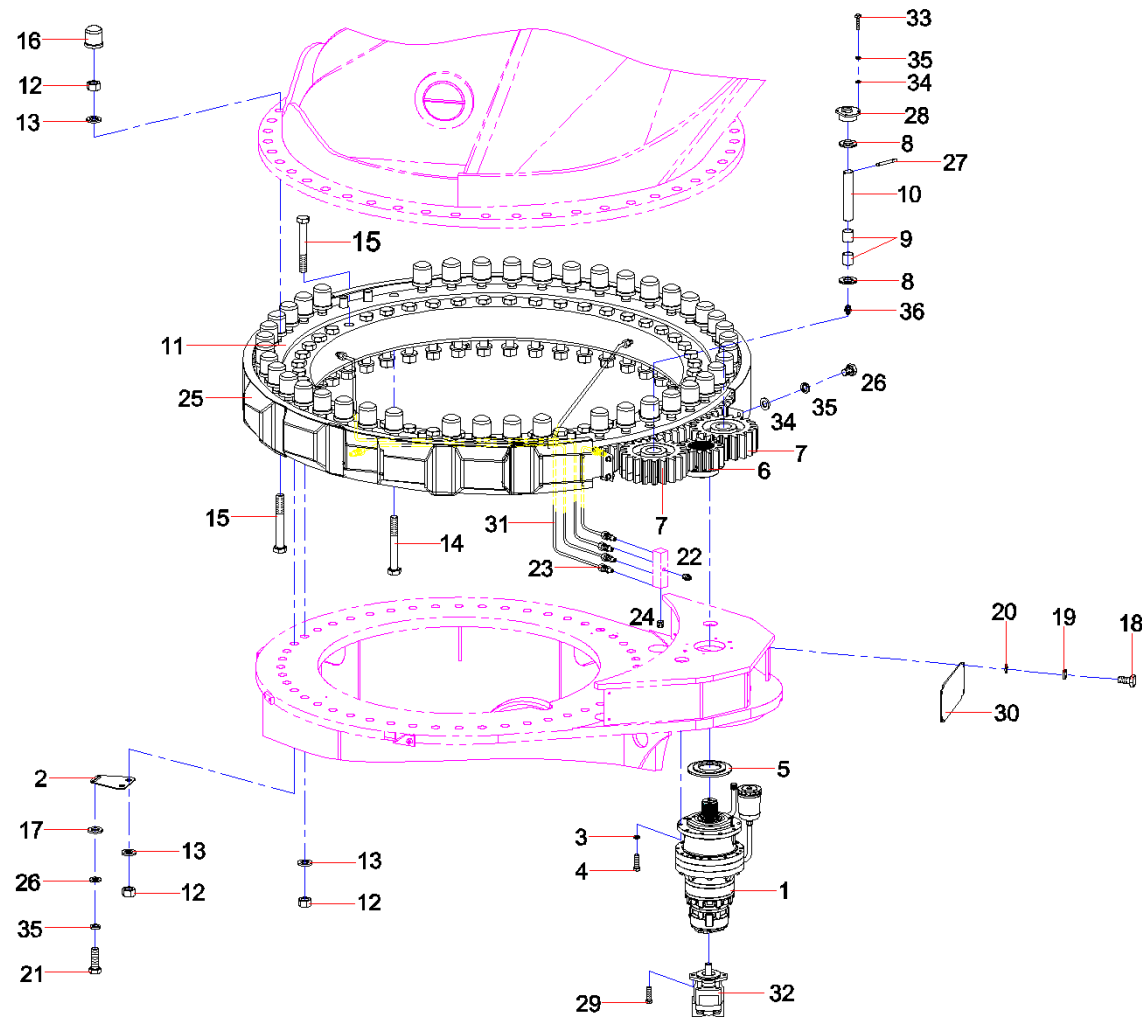
Item No.	Part No.	Description	Qty.	Remark
59	A820301010371	Bolt	4	
60	A210204000178	Screw	6	
61	A210405000003	Washer	4	
62	A210401000004	Washer	4	
63	A210805000005	Cup, oil	4	
64	A820101214192	Plate	2	
65	A210405000007	Washer	2	
66	12864076	Cover, flange	1	
67	12826770	Baffle, oil	1	



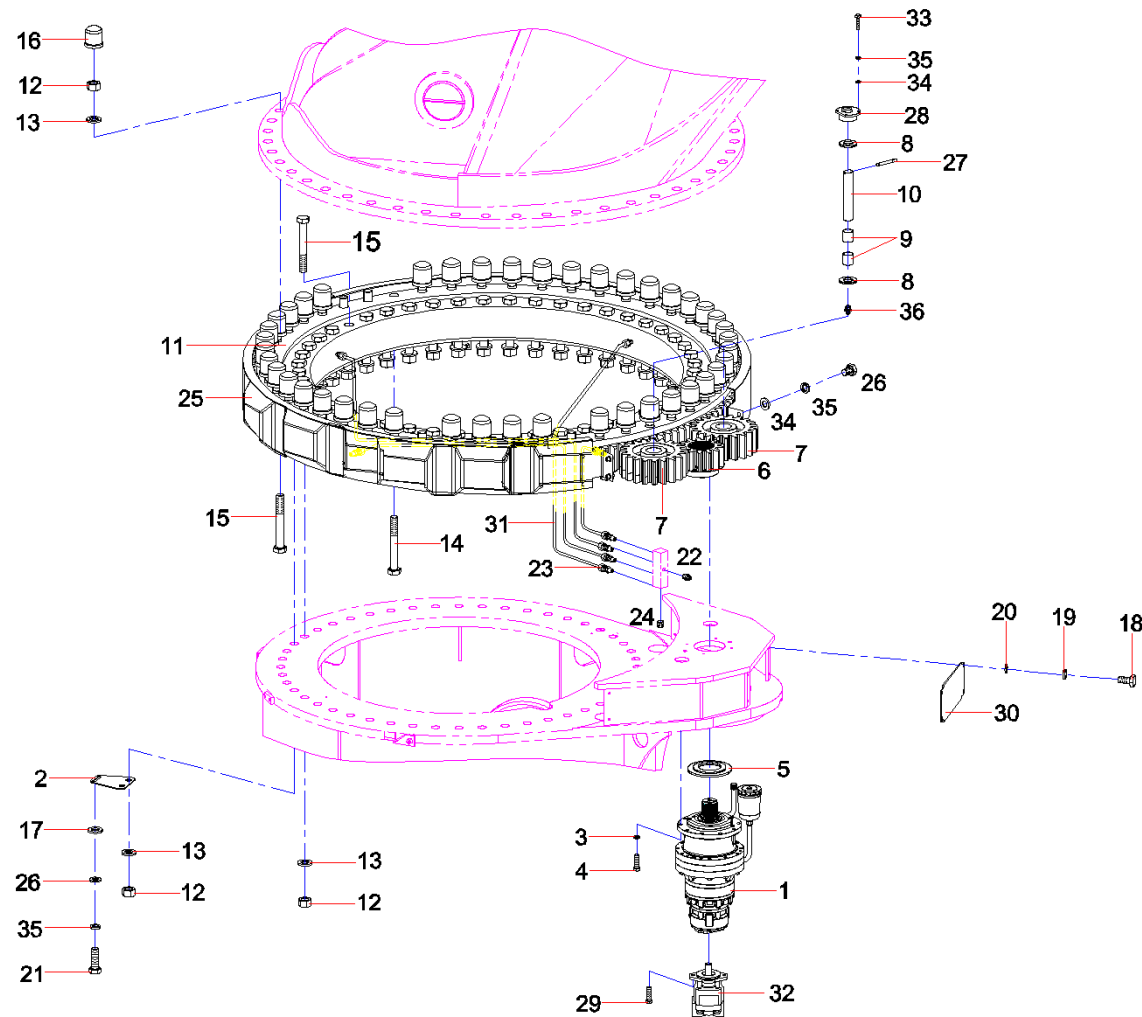
Item No.	Part No.	Description	Qty.	Remark
11	A210405000011	Washer	70	
12	A210401000001	Washer	70	
13	A210111000011	Bolt	70	
51	A210608000151	O-ring	4	
68	60107391	Valve, ball	2	
69	60107392	Adapter, male	2	
70	24001173	Plug, screw	2	
71	11907639	Sleeve, protective	1	
72	11300603	Roller AS	4	
73	10986237	Chain, outrigger	1	
75	10990353	Chain, outrigger	1	
77	12532441	Flange cover AS	1	
83	A820606030470	Ring, lining	2	
84	12877362	Flange cover AS	1	



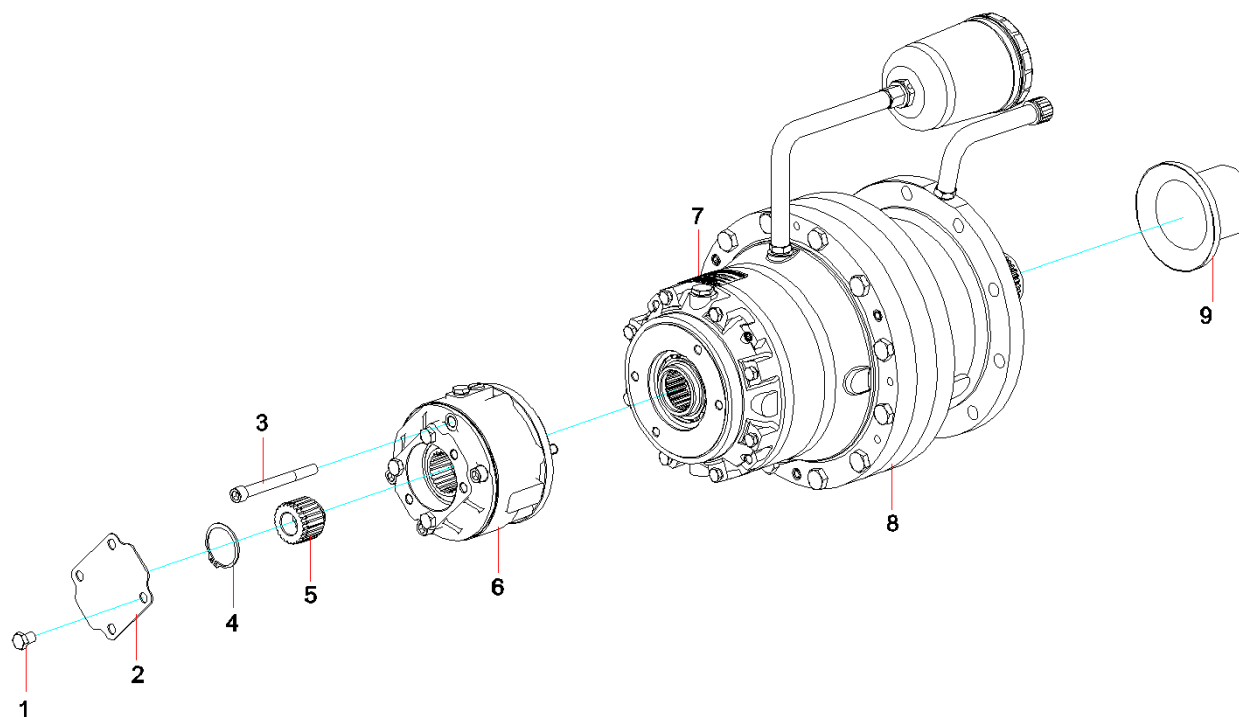
Item No.	Part No.	Description	Qty.	Remark
1	11646371	Weldment, turntable	1	
2	A210111000240	Bolt	6	
3	10819212	Plate, cover	1	
4	11662734	Shaft, connecting, oil cylinder	1	
5	A210491000122	Washer	2	
6	10486371	Baffle	1	
7	A210111000298	Bolt	2	
8	A210405000007	Washer	2	
9	A210111000088	Bolt	2	
10	A820101313261	Cover, seal	1	
11	A210804000001	Cup, oil	1	



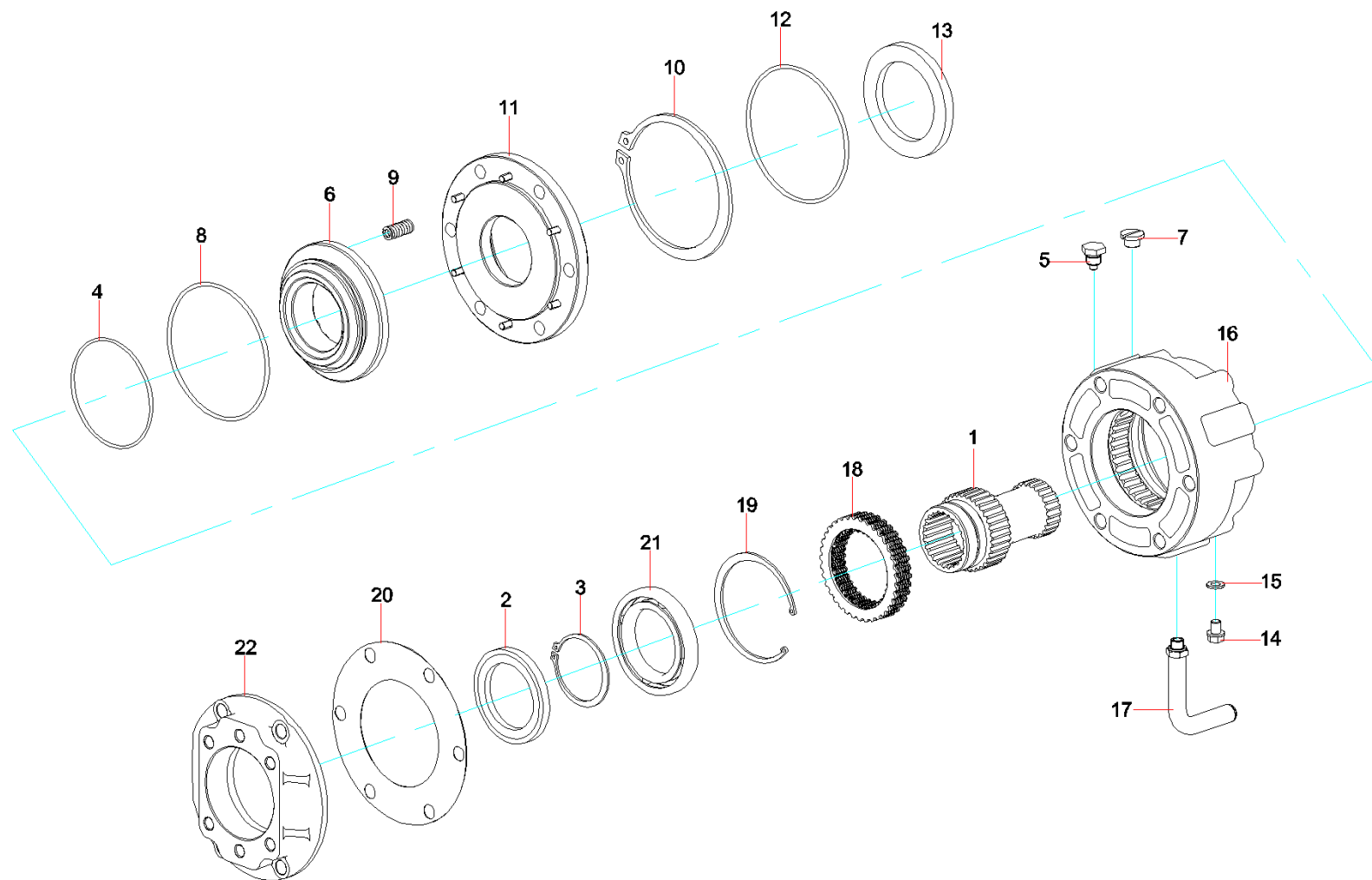
Item No.	Part No.	Description	Qty.	Remark
1	A990303070000	Reducer GP	1	
2	A820101061117	Gasket	7	
3	A210491000118	Washer	10	
4	A210111000054	Bolt	10	
5	A820606010713	Ring, dustproof	1	
6	A820210000243	Gear	1	
7	11493491	Gear	2	
8	A820299001563	Pad, copper	4	
9	A221500000329	Bearing, bimetallic	4	
10	11493492	Shaft, pin	2	
11	10548173	Bearing, slewing	1	
12	A210307000008	Nut	93	
13	A210444000004	Washer	138	
14	A210110000243	Bolt	3	
15	A210110000456	Bolt	93	
16	A820606031078	Sleeve, protective, rubber	45	
17	A210404000003	Washer	7	
18	A210111000079	Bolt	4	
19	A210401000016	Washer	4	
20	A210405000006	Washer	4	
21	A210111000089	Bolt	11	
22	A210804000002	Cup, oil	1	



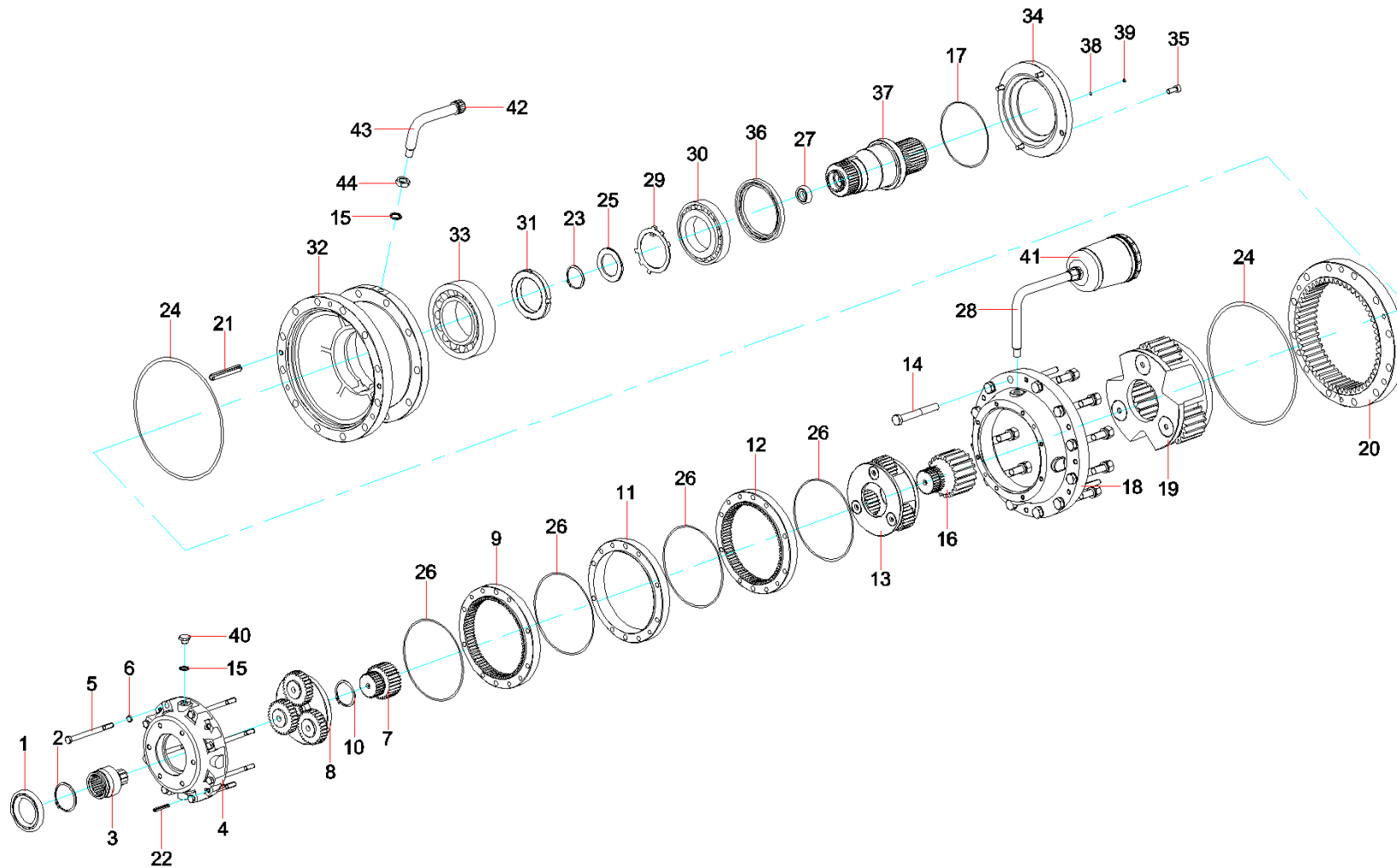
Item No.	Part No.	Description	Qty.	Remark
23	A210713000009	Connector, pipe	8	
24	A210342000002	Plug, screw	1	
25	11374293	Plate, annular	1	
26	A210404000005	Washer	7	
27	A210491000021	Pin	2	
28	10898698	Shaft sleeve AS	2	
29	A210204000206	Screw	2	
30	11493493	Plate, sealing	1	
31	A820207010071	Pipe, oil	4	
32	60022996	Motor, cycloid	1	
33	A210111000091	Bolt	8	
34	A210405000007	Washer	12	
35	A210401000017	Washer	19	
36	A210804000001	Cup, oil	2	



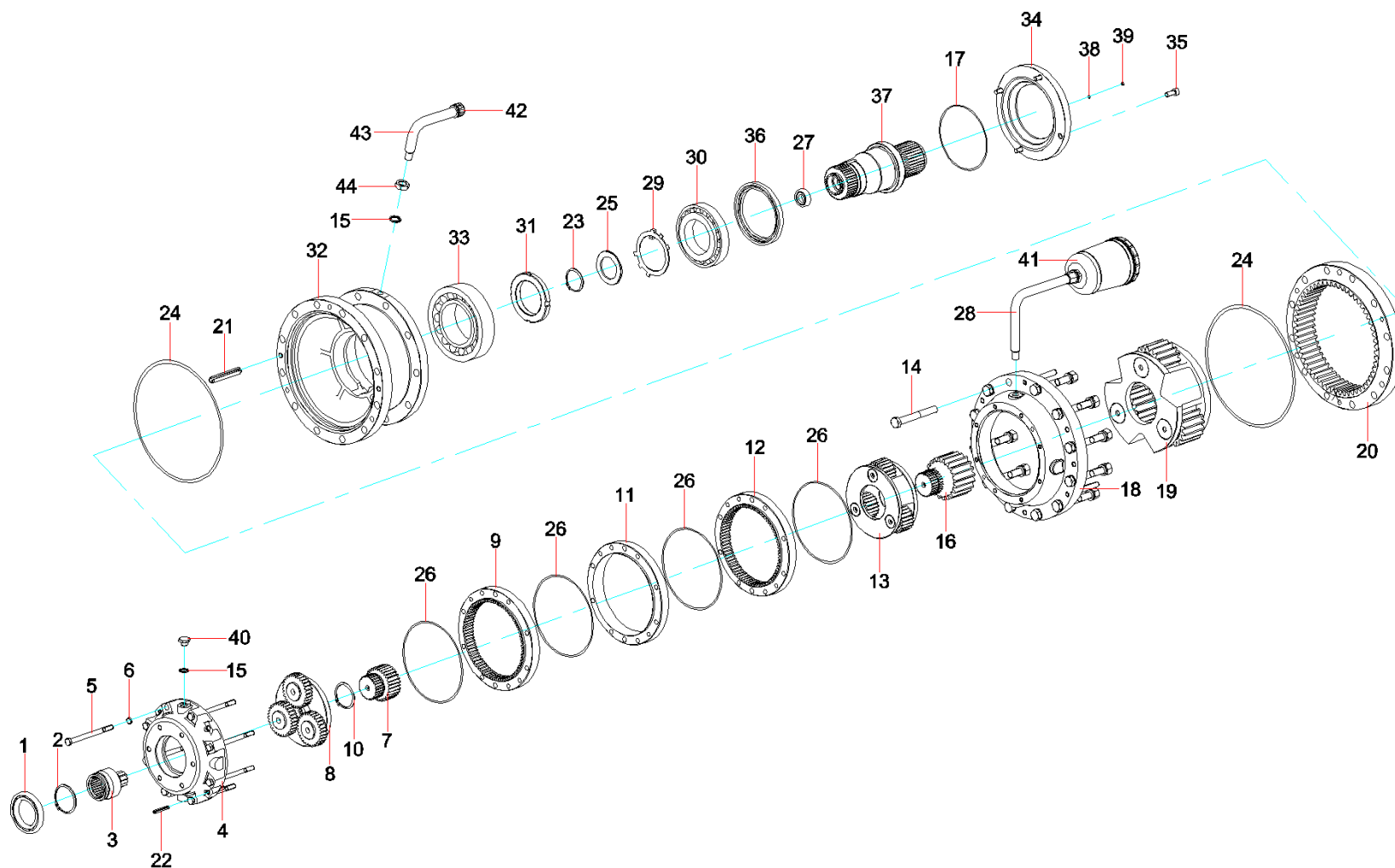
Item No.	Part No.	Description	Qty.	Remark
1	A880801020006	Bolt	4	
2	10720734	Cover, protective	1	
3	A210204000272	Screw	4	
4	A210419000003	Ring, retainer	1	
5	A820202006321	Housing, spline	1	
6	A810102000105	Brake GP	1	
7	10809381	Decal	1	
8	A810103000410	Reducer AS	1	
9	10720735	Sleeve, protective	1	



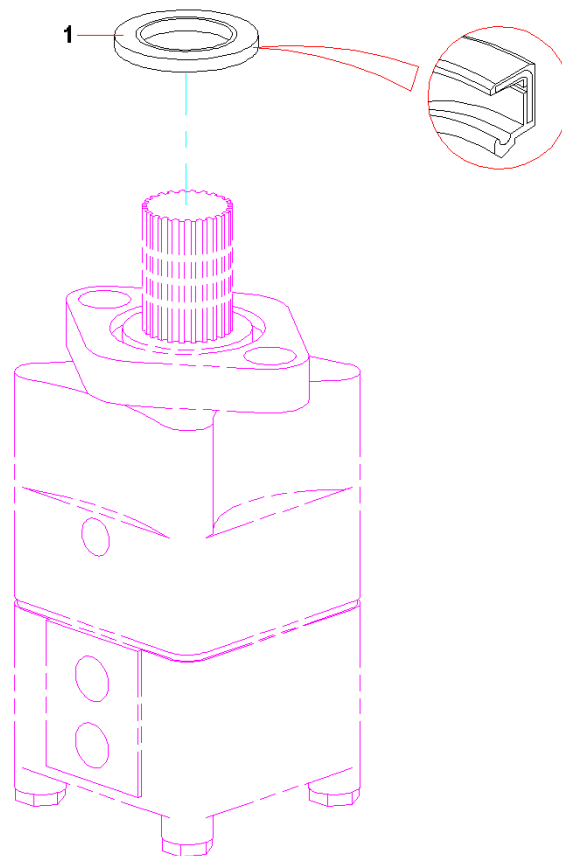
Item No.	Part No.	Description	Qty.	Remark
1	A820301021657	Shaft, input	1	
2	B230101001650	Seal, oil, TRE	1	
3	A210414000032	Ring, retaining	1	
4	A210609000088	O-ring	1	
5	A229900006784	Plug, screw, magnetic	1	
6	A829900003137	Piston	1	
7	A210777000046	Plug, plastic, male thread	1	
8	A210609000349	O-ring	1	
9	A829900003138	Spring	11	
10	A210416000005	Ring, retainer	1	
11	A820201001526	Cover, pressure, spring	1	
12	A210609000107	O-ring	1	
13	B230101001651	Seal, oil, TRE	1	
14	A210341000010	Plug, screw	2	
15	A210434000006	Washer	3	
16	A820402000366	Seat, brake	1	
17	A810102000106	Elbow, vent	1	
18	10721223	Friction disc group	1	
19	A210416000025	Ring, retaining	1	
20	A820603000281	Pad, paper	1	
21	B221500000434	Bearing	1	
22	A820201001525	Cover, end, input	1	



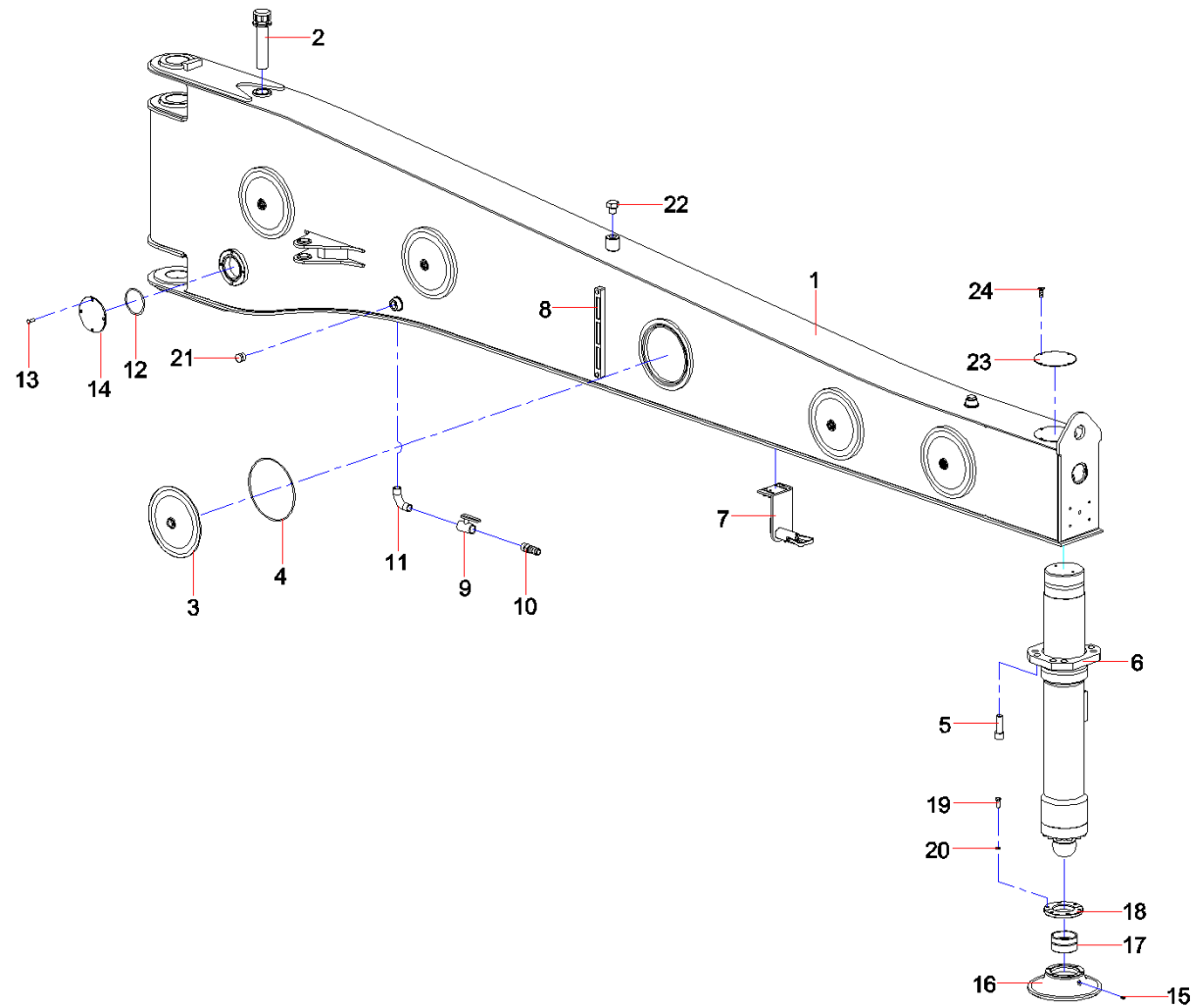
Item No.	Part No.	Description	Qty.	Remark
1	B221500000435	Bearing	1	
2	A210414000065	Ring, retainer	1	
3	A829900003128	Wheel, sun	1	
4	A820402000362	Flange	1	
5	A210110000431	Bolt	8	
6	A210401000001	Washer	8	
7	A829900003130	Wheel, sun	1	
8	A810103000411	Planetary carrier GP	1	
9	A829900003129	Teeth, inner	1	
10	A210414000008	Ring, retainer	2	
11	A820402000363	Flange	1	
12	A829900003131	Teeth, inner	1	
13	11098192	Planetary carrier GP	1	
14	A210111000447	Bolt	12	
15	A210434000008	Washer	2	
16	A829900003132	Wheel, sun	1	
17	60024491	O-ring	1	
18	12693373	Flange	1	
19	11249824	Planetary carrier GP	1	
20	A829900003133	Teeth, inner	1	
21	A210507000036	Pin	3	
22	24000946	Pin	4	



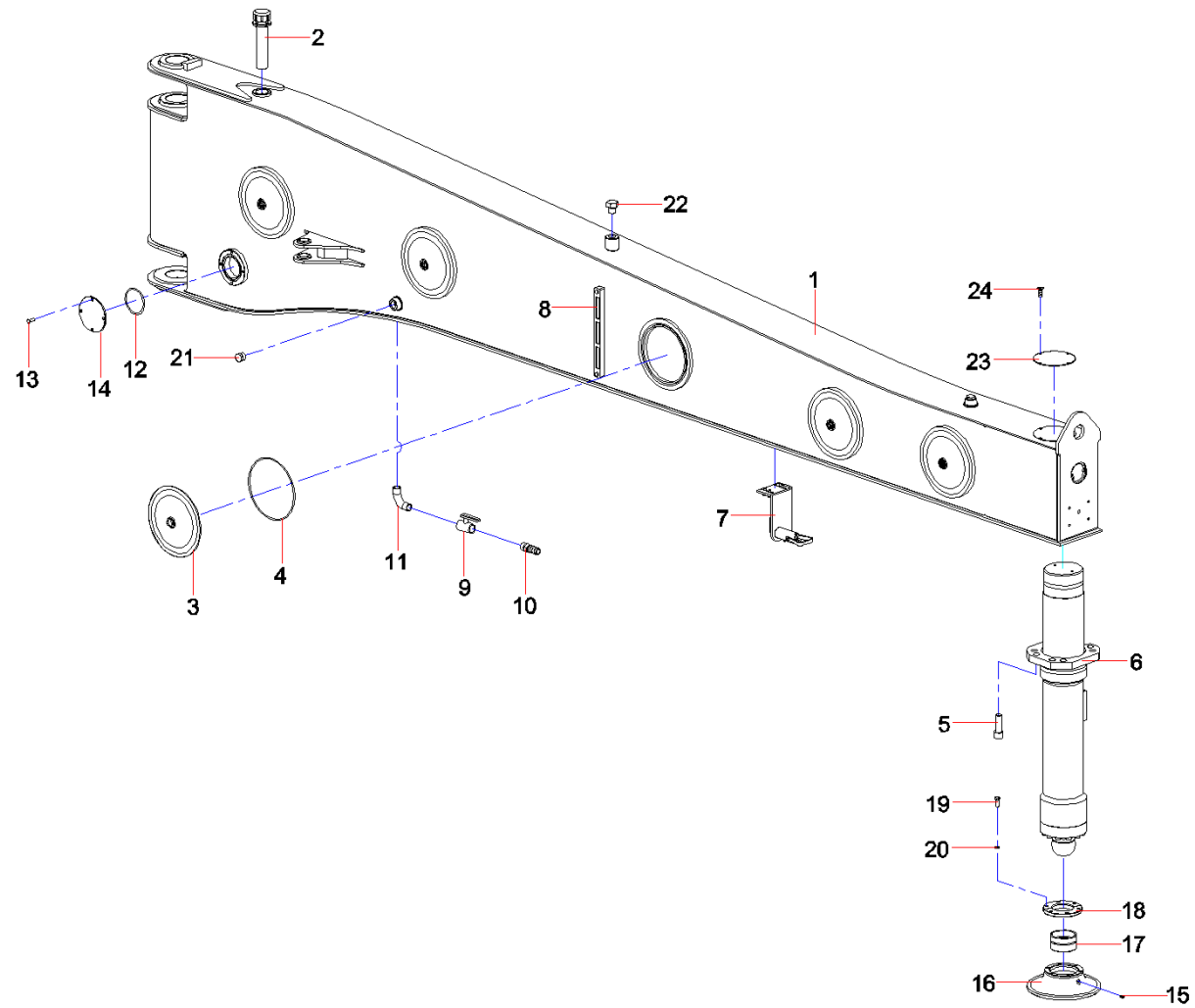
Item No.	Part No.	Description	Qty.	Remark
23	24003090	Ring, retainer	1	
24	60194901	O-ring	2	
25	A820102010857	Baffle	1	
26	60194900	O-ring	4	
27	B221500000438	Bearing	1	
28	A810102000107	Elbow, vent	1	
29	A210412000146	Washer	1	
30	B221500000436	Bearing	1	
31	A210304000006	Nut	1	
32	12687017	Bearer, output	1	
33	B221500000437	Bearing	1	
34	A820201001524	Cover, end, output	1	
35	A210204000161	Screw	4	
36	B230101000458	Seal, oil, TRE	1	
37	A820301021656	Shaft, output	1	
38	A210434000025	Washer	1	
39	A210641000008	Plug, screw	1	
40	A229900006507	Plug, screw, magnetic	1	
41	60205788	Cup, oil	1	
42	60057530	Plug, vent	1	
43	12693766	Elbow, air	1	
44	A210310000010	Nut	1	



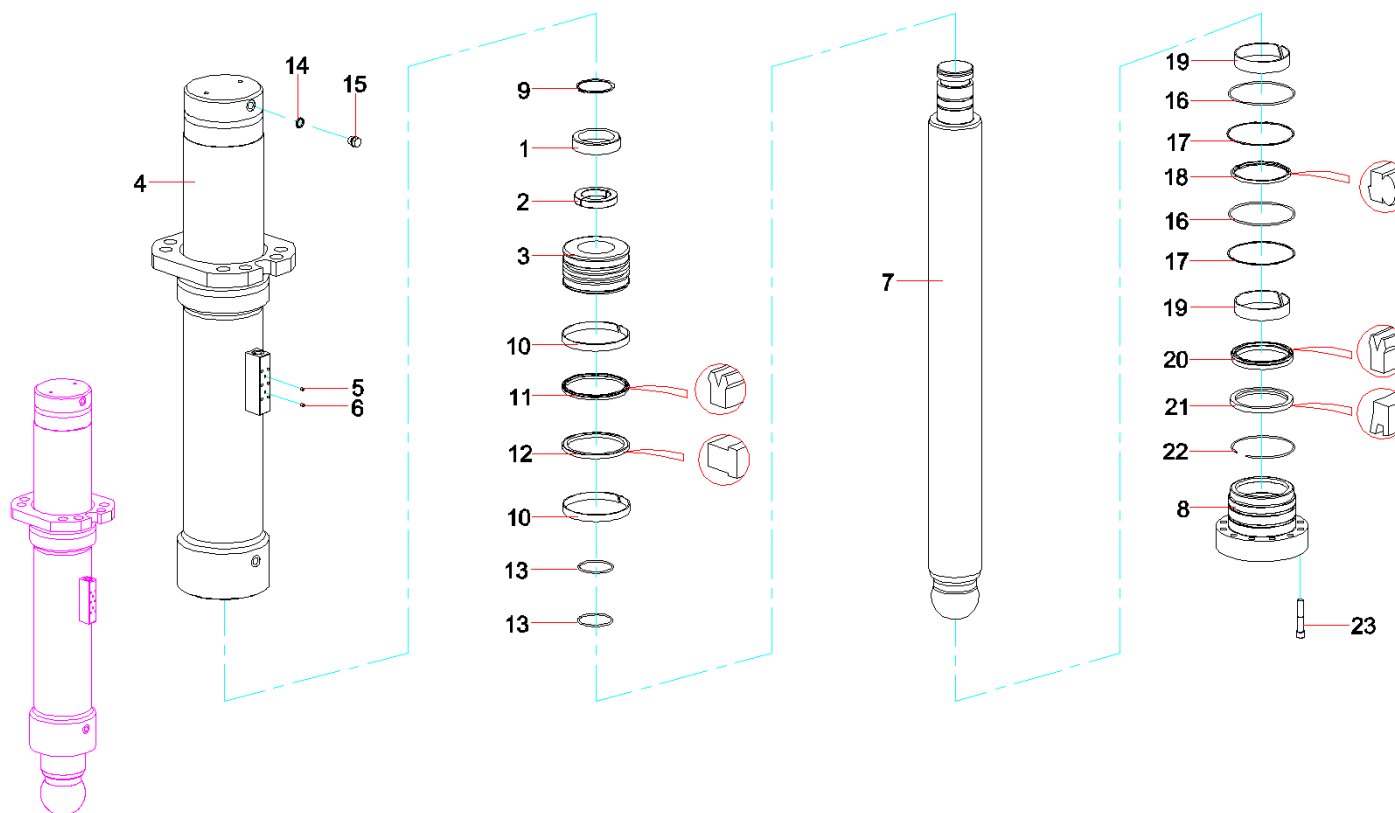
Item No.	Part No.	Description	Qty.	Remark
1	60173472	Seal, oil	1	



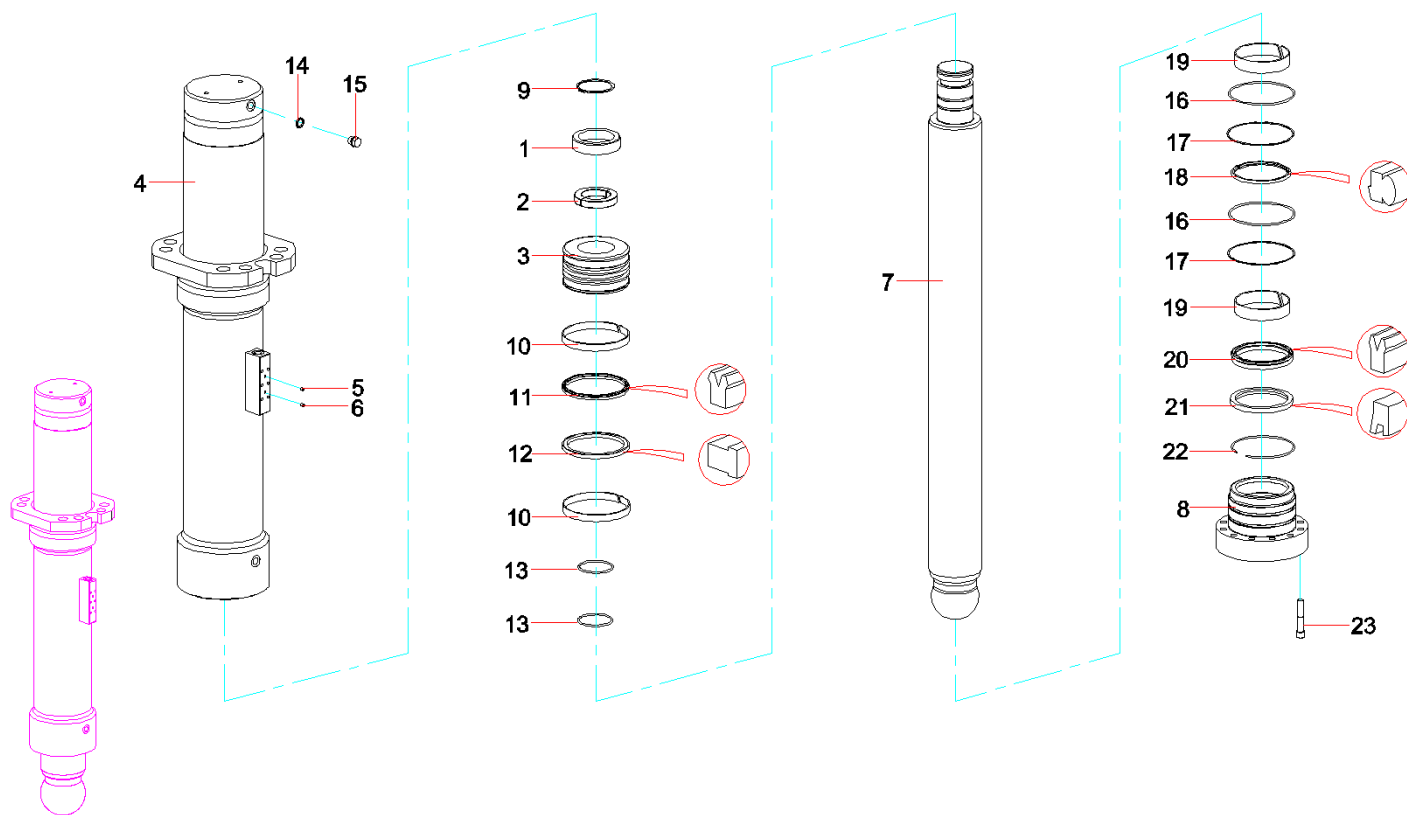
Item No.	Part No.	Description	Qty.	Remark
1	12617463	Arm, outrigger, rear, right	1	
2	60151318	Filter, air	1	
3	11340017	Flange cover AS	5	
4	A210609000294	O-ring	5	
5	A210204000095	Screw	8	
6	12634395	Oil cylinder , outrigger, rear	1	
7	11824009	Mounting, lock, outrigger, right	1	
8	60054115	Meter, lever, liquid	1	
9	60107391	Valve, ball	1	
10	12652890	Pipe, outlet, water	1	
11	60107392	Adapter, male	1	
12	A210608000307	O-ring	1	
13	A210111000011	Bolt	4	
14	10765452	Cover, flange	1	
15	A210804000001	Cup, oil	1	
16	A820403000833	Seat, outrigger	1	
17	11966235	Bush, bearing	1	
18	A820102010763	Plate, pressure	1	
19	A210111000038	Bolt	6	
20	A210401000002	Washer	6	
21	10763074	Plug	3	
22	12576443	Special-made bolt	1	



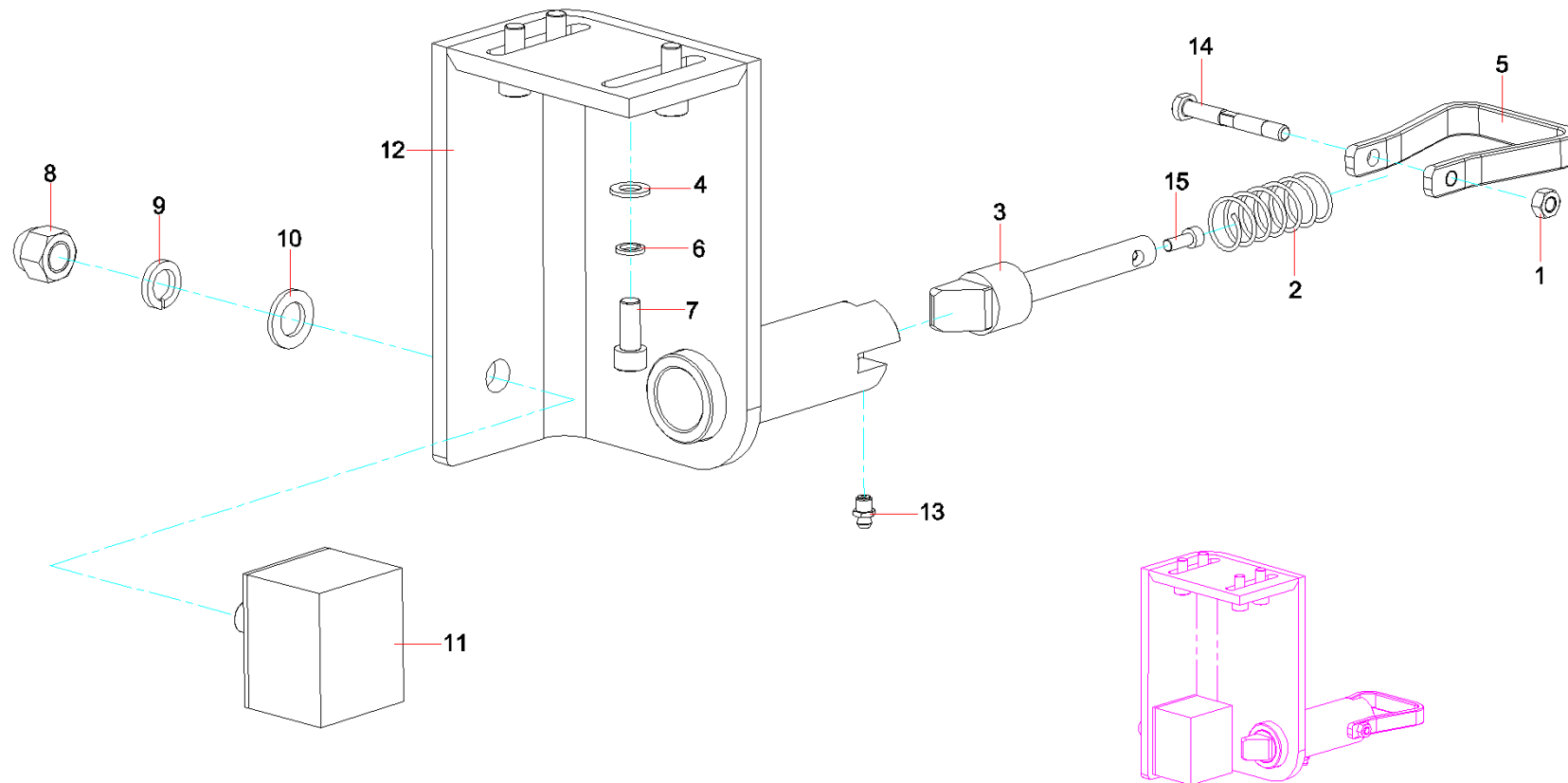
Item No.	Part No.	Description	Qty.	Remark
23	11722153	Plate, cover	1	
24	A210203000016	Screw	4	



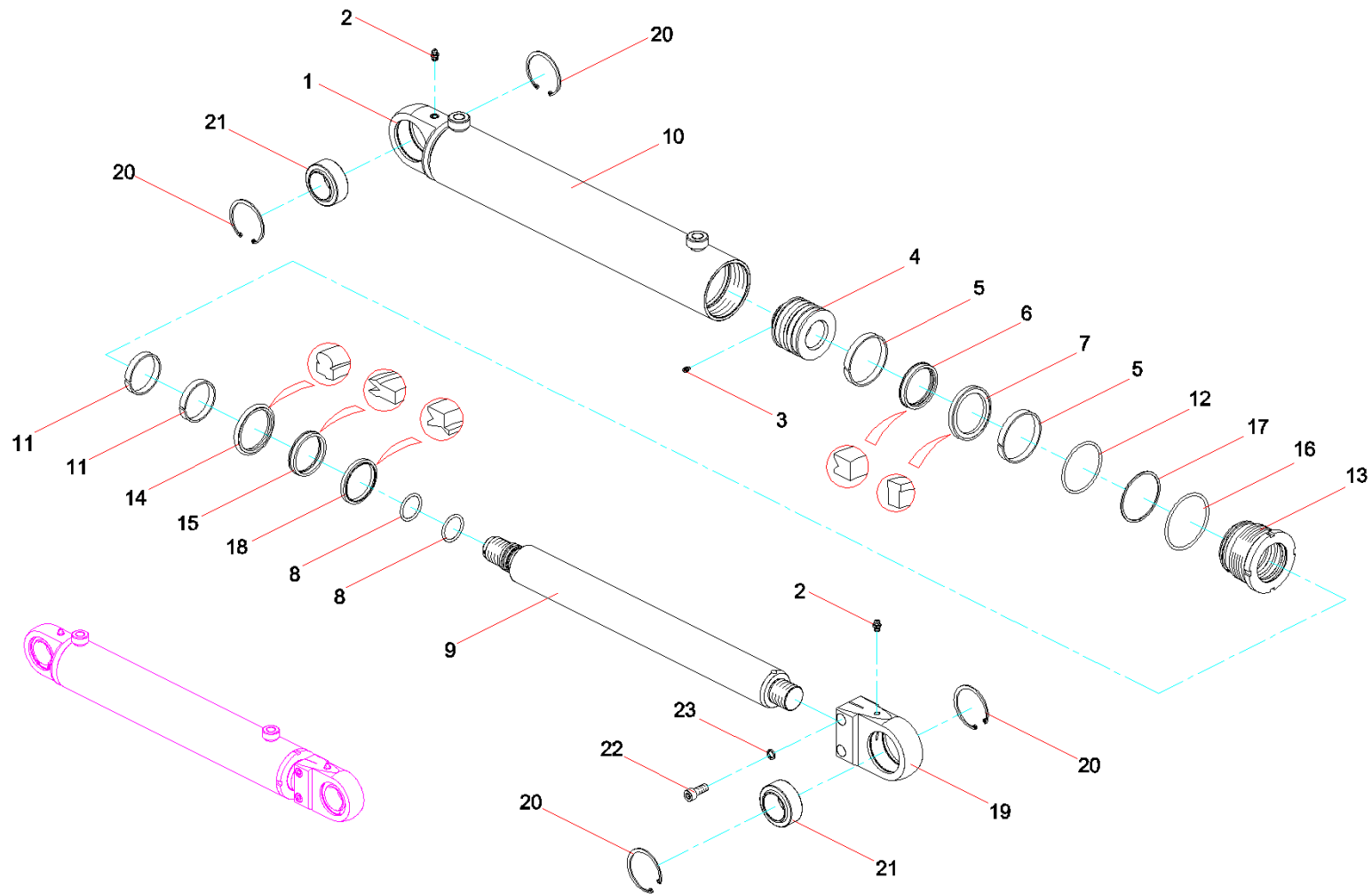
Item No.	Part No.	Description	Qty.	Remark
1	A820202002858	Cap, key, clipping	1	
2	A820202000105	Key, clipping, shaft	2	
3	12656636	Piston	1	
4	12656635	Oil cylinder GP	1	
5	A820301018338	Plug, damping	1	
6	A820301017919	Plug, damping	1	
7	12656639	Rod, piston	1	
8	12656637	Sleeve, guide	1	
9	A210414000102	Ring, retainer	1	
10	60128071	Orkot-ring, guide	2	
11	B230101001957	Seal, B7-ring	1	
12	A210609000165	O-ring	2	
13	B230101000692	CUT-ring, seal	1	
14	A210434000008	Washer	4	
15	A210332000001	Plug, screw	4	
16	A210609000125	O-ring	2	
17	10250744	Ring , retainer	2	
18	B230101001954	Ring, seal, GS	1	
19	60128068	Orkot-ring, guide	2	
20	B230101002132	Ring, seal, ZBR	1	
21	60044258	Ring, dustproof	1	
22	A210417000002	Ring, retainer	1	



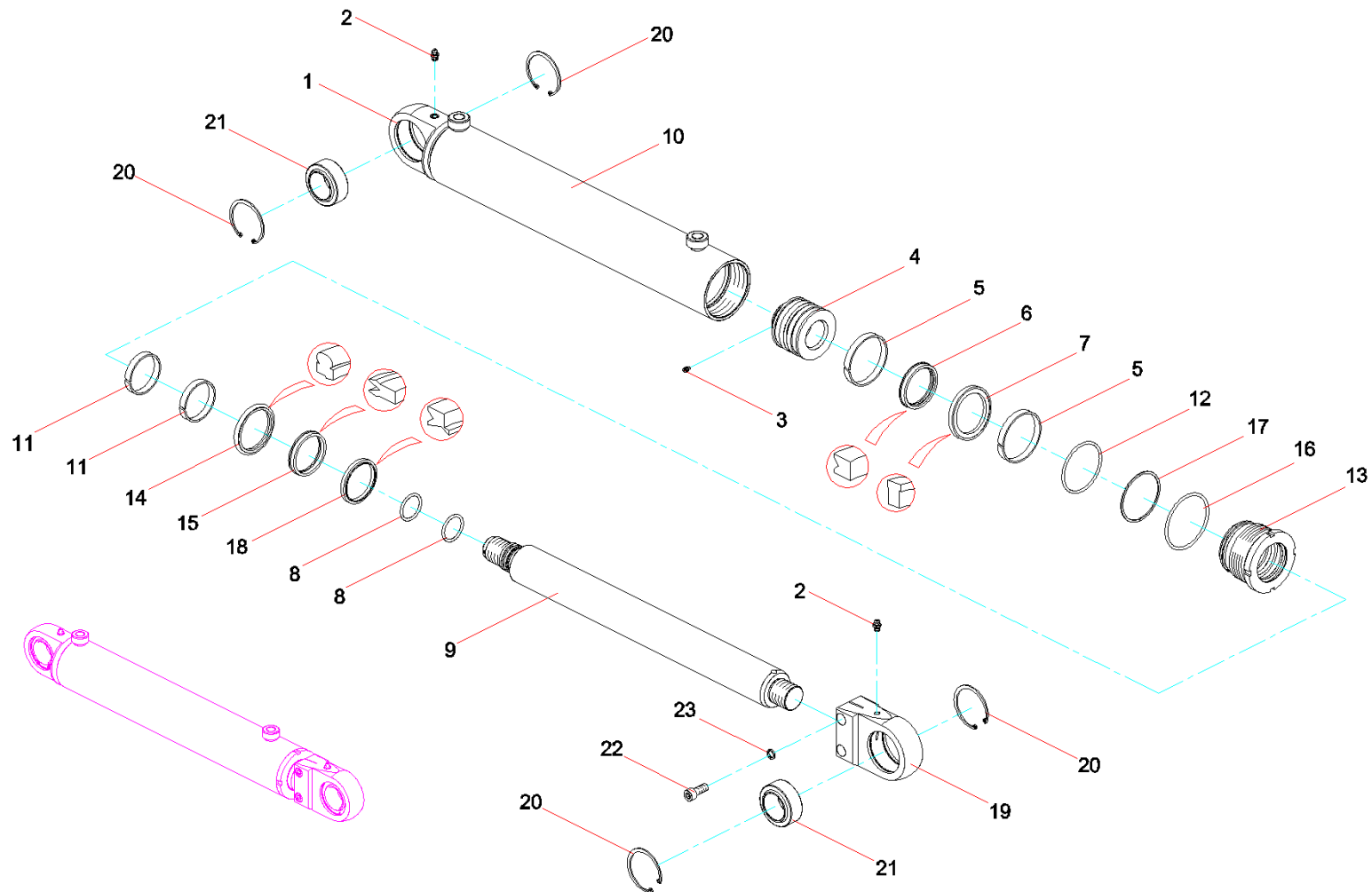
Item No.	Part No.	Description	Qty.	Remark
23	A210204000229	Screw	12	



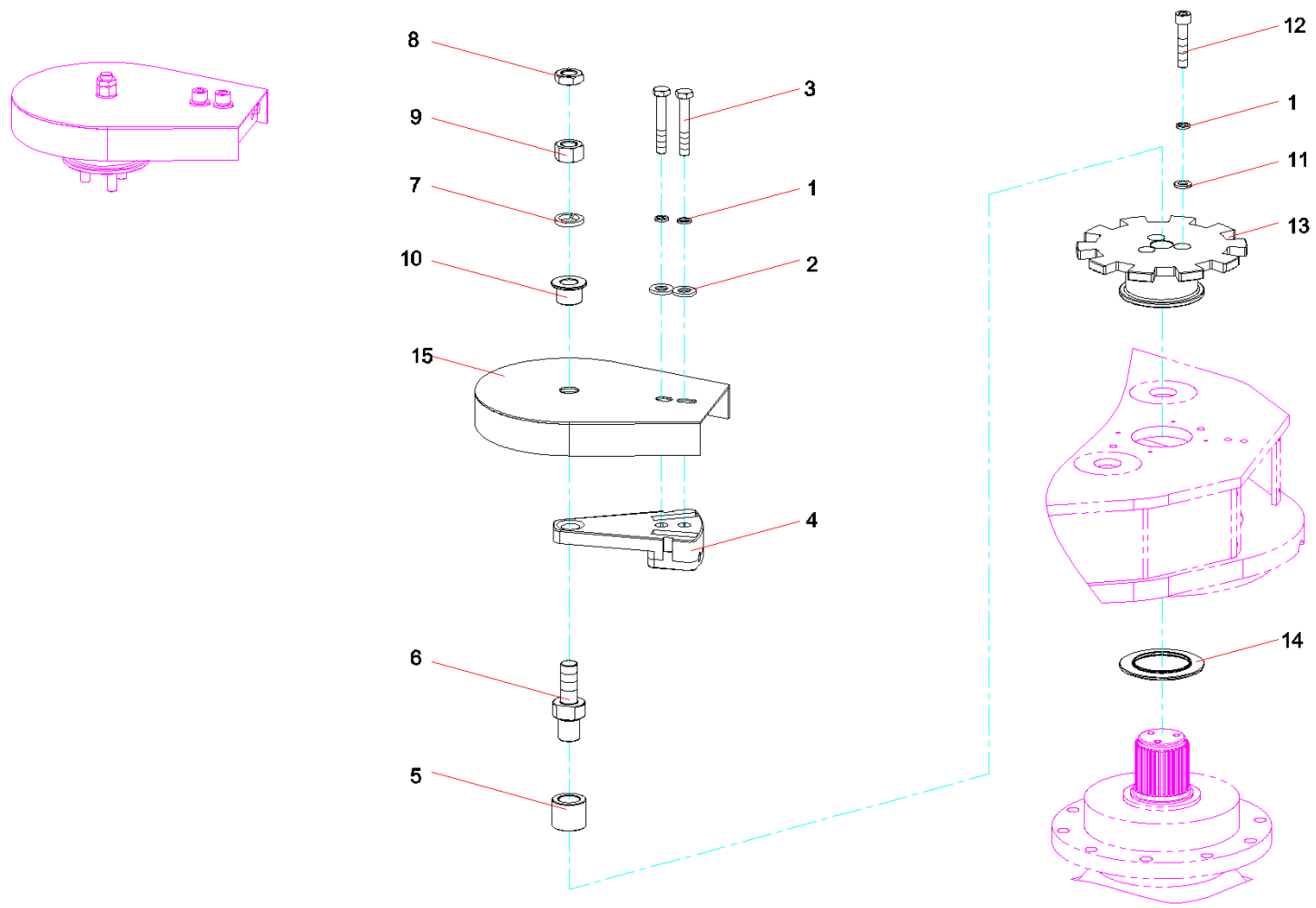
Item No.	Part No.	Description	Qty.	Remark
1	A210307000012	Nut	1	
2	A210616000032	Spring	1	
3	11222687	Tongue, lock	1	
4	A210405000011	Washer	4	
5	11222978	Handhold	1	
6	A210401000001	Washer	4	
7	A210204000161	Screw	4	
8	A210302000004	Nut	1	
9	A210401000004	Washer	1	
10	A210405000003	Washer	1	
11	A810599000110	Pad, buffer	1	
12	11824012	Support, lock, right	1	
13	A210804000001	Cup, oil	1	
14	11222794	Pin, cross	1	
15	A210204000130	Screw	1	



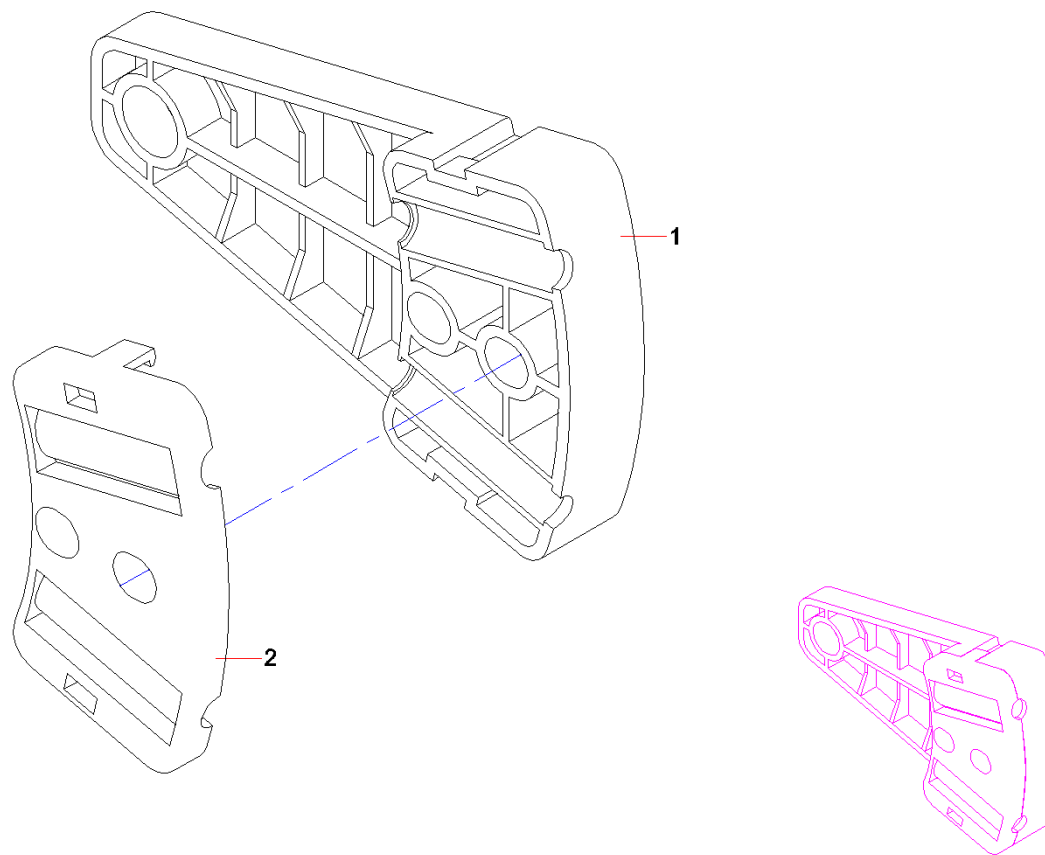
Item No.	Part No.	Description	Qty.	Remark
1	A820201000111	Cover, end	1	
2	A210804000001	Cup, oil	2	
3	A210217000005	Screw	1	
4	11218815	Piston	1	
5	B230101000111	Ring, guide	2	
6	B230101001842	Seal, MPS-ring	1	
7	B230101000132	Seal, OK-ring	1	
8	A210609000272	O-ring	2	
9	A820301010414	Rod, piston	1	
10	A810302010015	Barrel, cylinder	1	
11	B230101000107	Ring, guide	2	
12	A210609000165	O-ring	1	
13	A820202000814	Sleeve, guide	1	
14	B230101001497	Ring, seal, GS-type	1	
15	B230101002121	Ring, seal, MPS-type	1	
16	A210609000135	O-ring	1	
17	A820601020352	Ring, retainer	1	
18	B230101000067	Ring, dustproof	1	
19	A820103010177	Ring, ear	1	
20	A210416000037	Ring, retaining	4	
21	A210612000023	Bearing, joint	2	
22	A210204000161	Screw	2	



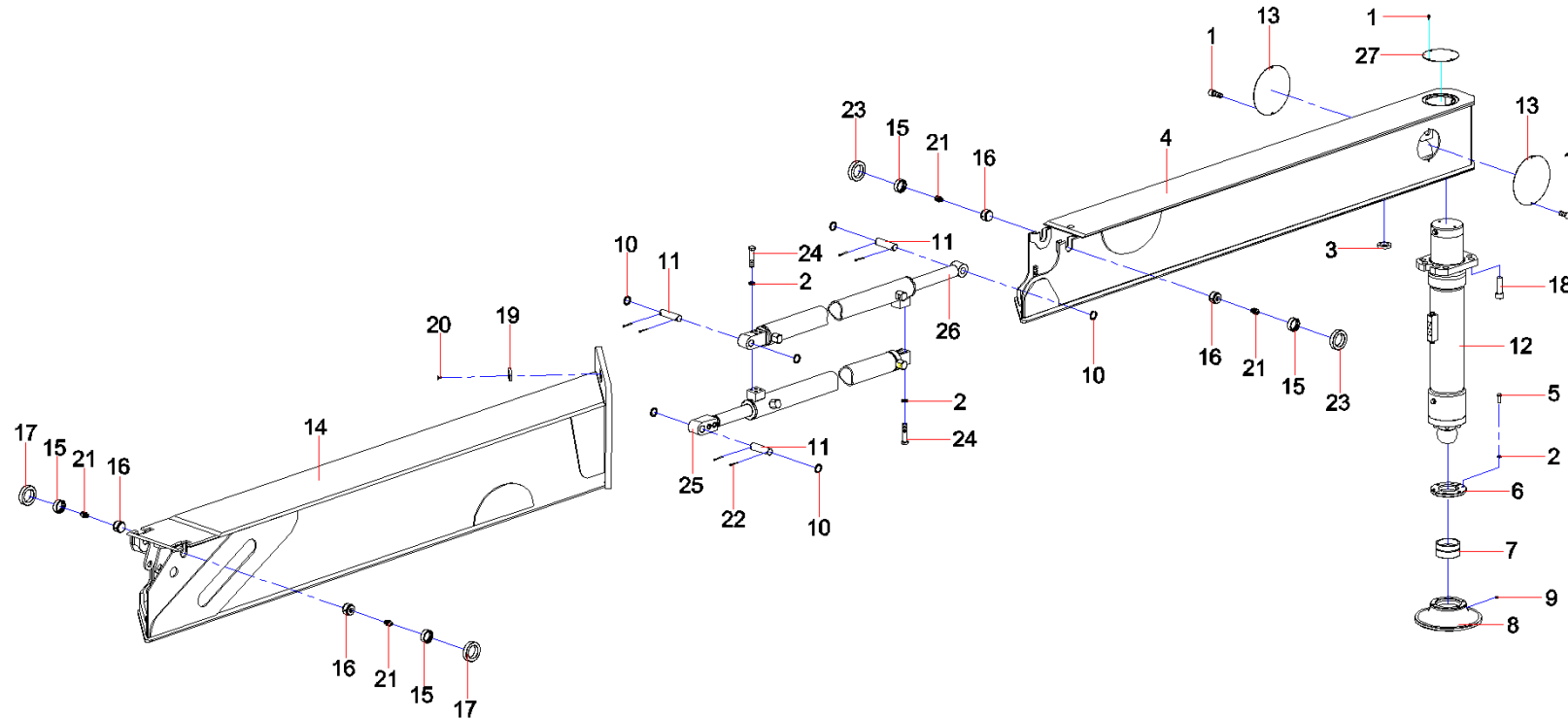
Item No.	Part No.	Description	Qty.	Remark
23	A210401000001	Washer	2	



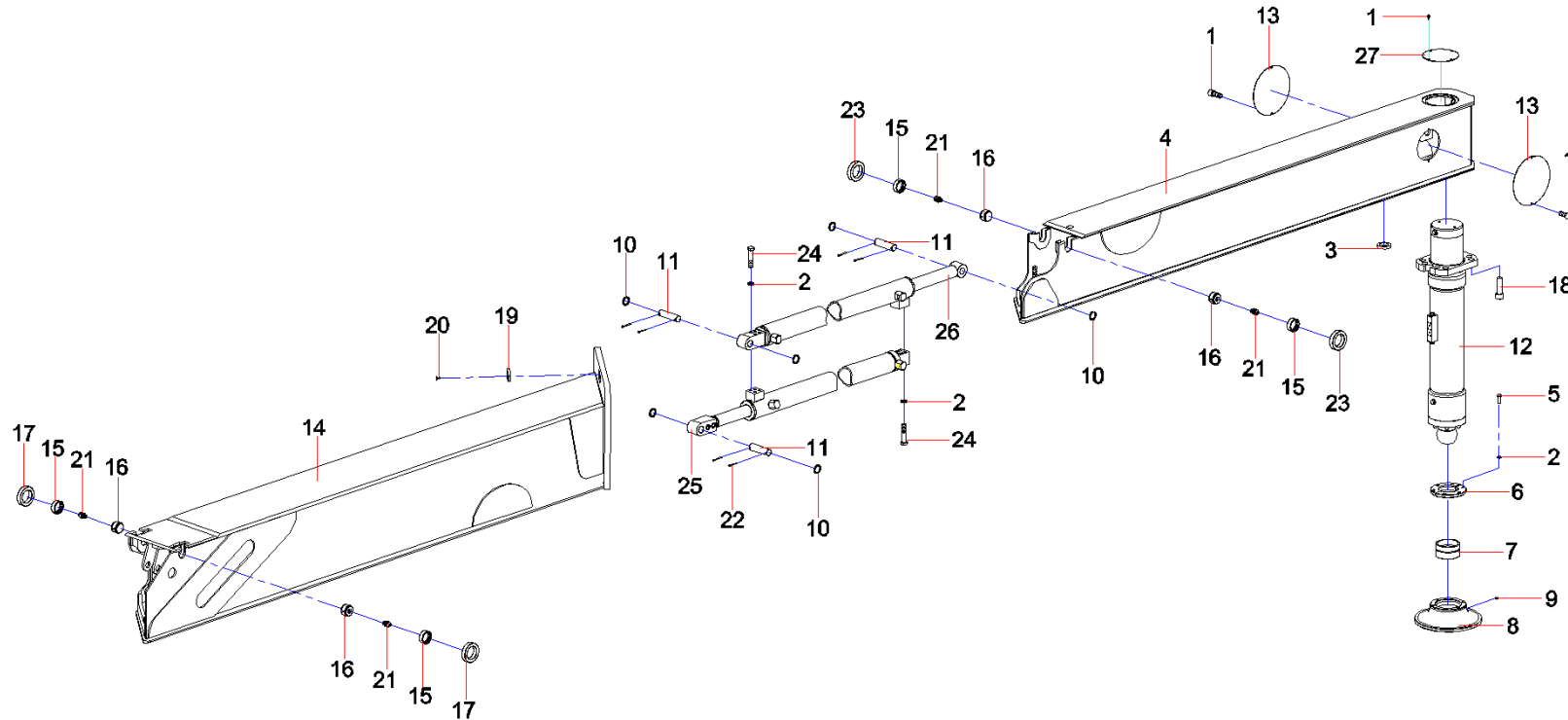
Item No.	Part No.	Description	Qty.	Remark
1	A210401000001	Washer	5	
2	A210405000011	Washer	2	
3	A210204000011	Screw	2	
4	11142524	Retainer	1	
5	11038817	Sleeve, shaft	1	
6	11038818	Shaft	1	
7	A210401000002	Washer	1	
8	A210309000016	Nut	1	
9	A210307000001	Nut	1	
10	11038821	Sleeve, shaft	1	
11	A210402000046	Washer	3	
12	A210204000013	Screw	3	
13	11041845	Plate, rotating	1	
14	11075636	Pad, adjusting	1	
15	11060889	Cover, protective	1	



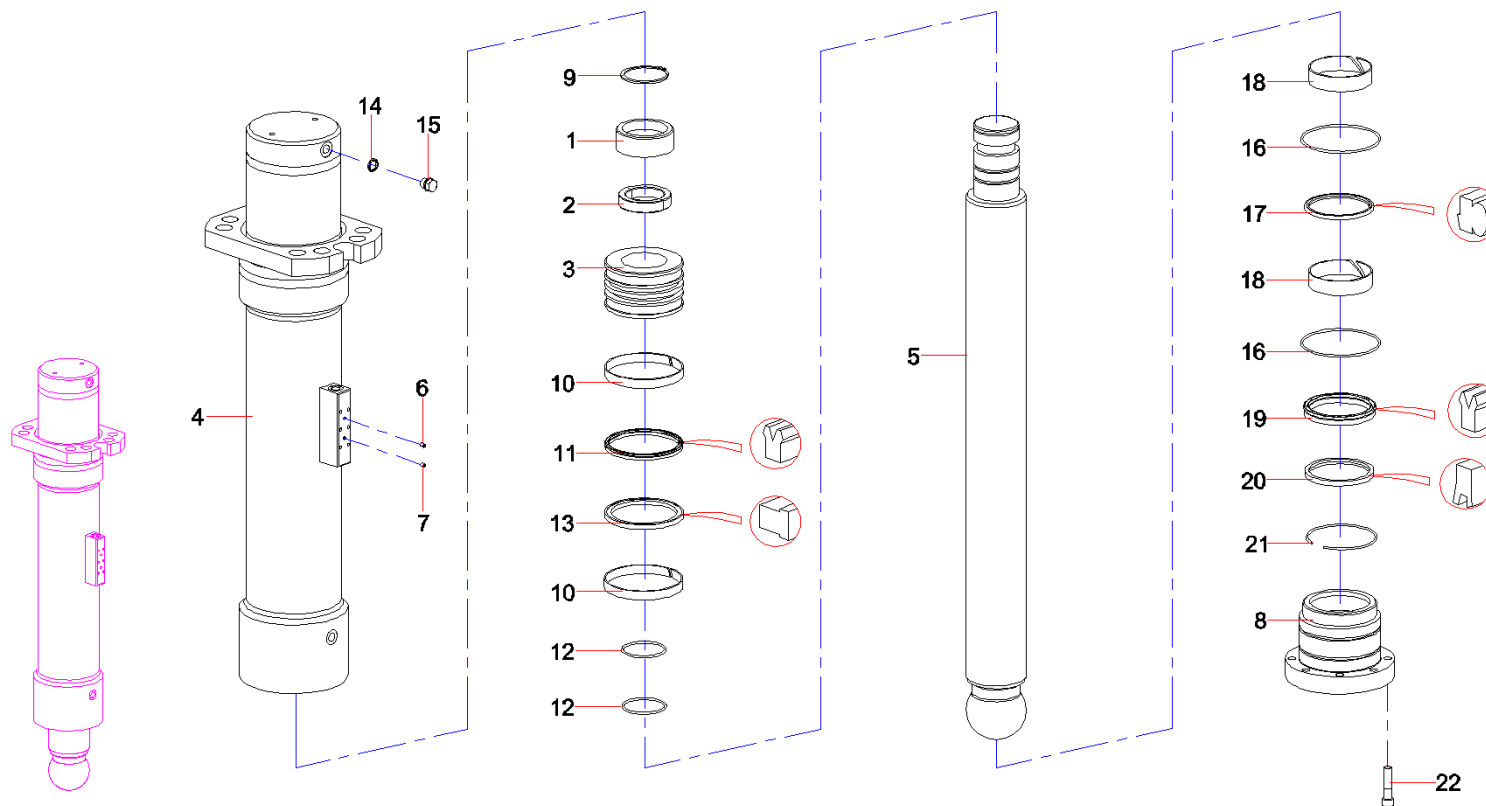
Item No.	Part No.	Description	Qty.	Remark
1	11142522	Retainer, upper	1	
2	11142523	Retainer, lower	1	



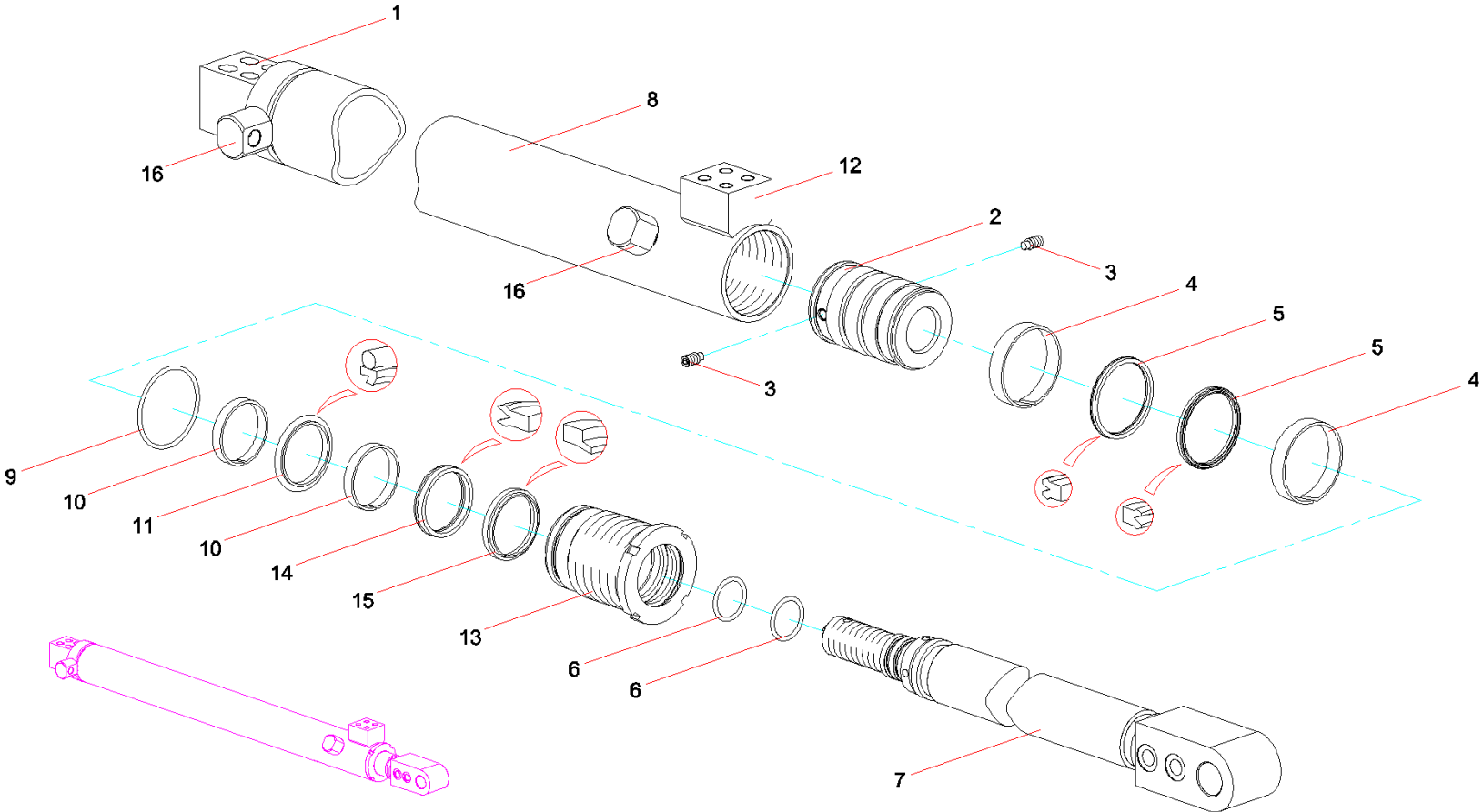
Item No.	Part No.	Description	Qty.	Remark
1	A210204000172	Screw	8	
2	A210401000002	Washer	14	
3	10765456	Sleeve, protective	1	
4	12612979	Arm, extension	1	
5	A210111000039	Bolt	6	
6	A820102010763	Plate, pressure	1	
7	11966235	Bush, bearing	1	
8	A820403000833	Seat, outrigger	1	
9	A210804000001	Cup, oil	1	
10	A210405000014	Washer	6	
11	A820301018265	Shaft, pin	3	
12	12634450	Oil cylinder, outrigger, front	1	
13	A820101990716	Plate, cover	2	
14	12586619	Arm, extension	1	
15	A820208000409	Bearing	4	
16	A820301018516	Shaft, roller	4	
17	A820299002216	Roller	2	
18	A210204000095	Screw	8	
19	10682796	Plate, limit	1	
20	A210211000010	Screw	2	
21	A210804000003	Cup, oil	4	
22	A210501000010	Pin	6	



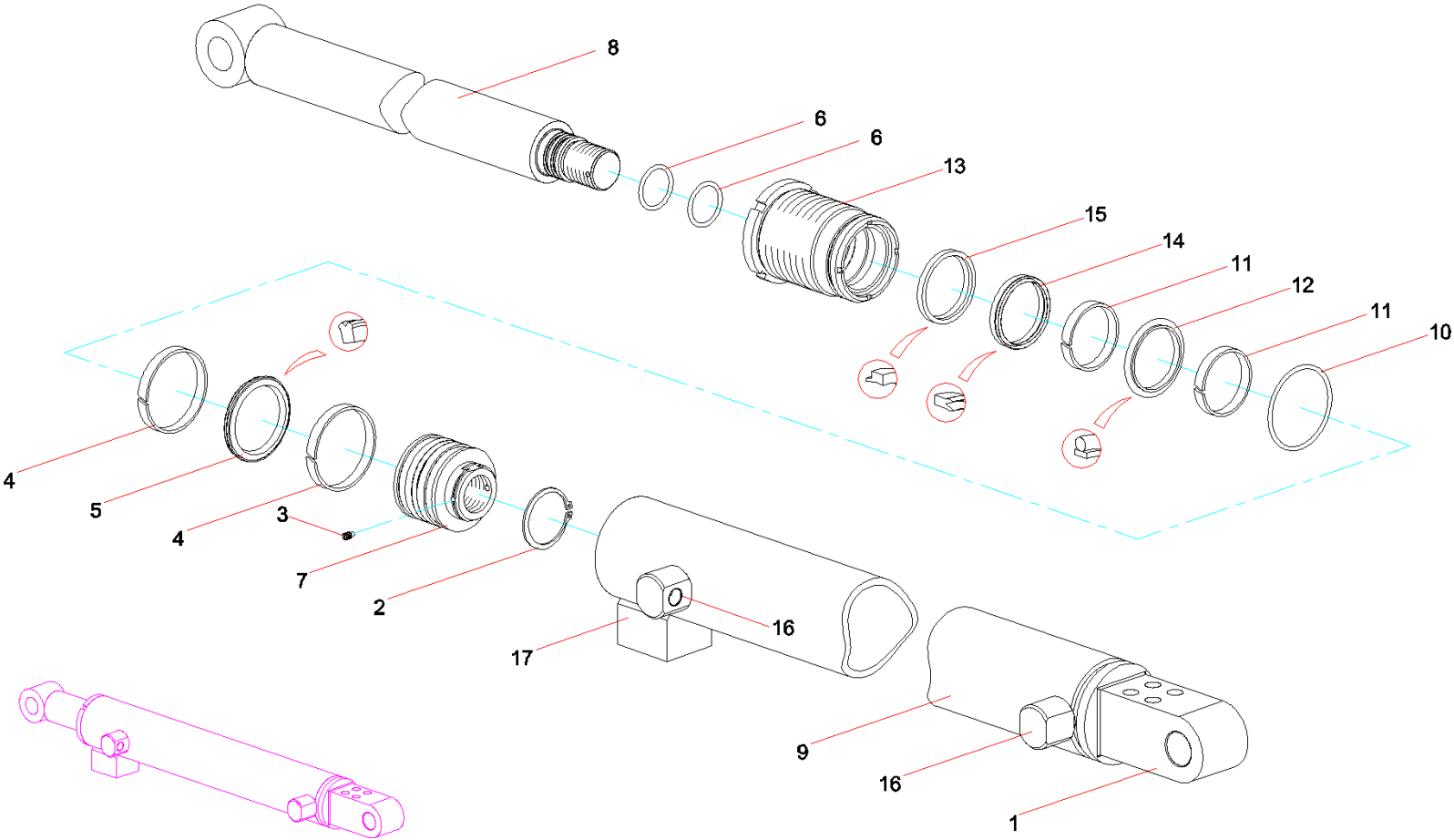
Item No.	Part No.	Description	Qty.	Remark
23	12500886	Roller	2	
24	A210110000014	Bolt	8	
25	10217326	Oil cylinder, telescopic, outrigger, front	1	
26	A810302010131	Oil cylinder, telescopic, outrigger, front	1	
27	A820101351056	Plate, cover	1	



Item No.	Part No.	Description	Qty.	Remark
1	A820202000930	Cap, key, clipping	1	
2	A820208000045	Key, clipping, shaft	2	
3	A820402000185	Piston	1	
4	12642388	Oil cylinder GP	1	
5	12642392	Rod, piston	1	
6	A820301018338	Plug, damping	1	
7	A820301017919	Plug, damping	1	
8	A820202005160	Sleeve, guide	1	
9	A210414000102	Ring, retainer	1	
10	60128069	Orkot-ring, guide	2	
11	B230101002105	Seal, MPS-ring	1	
12	A210609000165	O-ring	2	
13	B230101000138	Seal, OK-ring	1	
14	A210434000008	Washer	4	
15	A210332000001	Plug, screw	4	
16	A210608000320	O-ring	2	
17	B230101001077	GS-ring, seal	1	
18	60012520	Ring, molding guide	2	
19	B230101002131	ZBR-ring, seal	1	
20	60044257	Ring, dustproof	1	
21	A210417000004	Ring, retainer	1	
22	A210204000255	Screw	8	



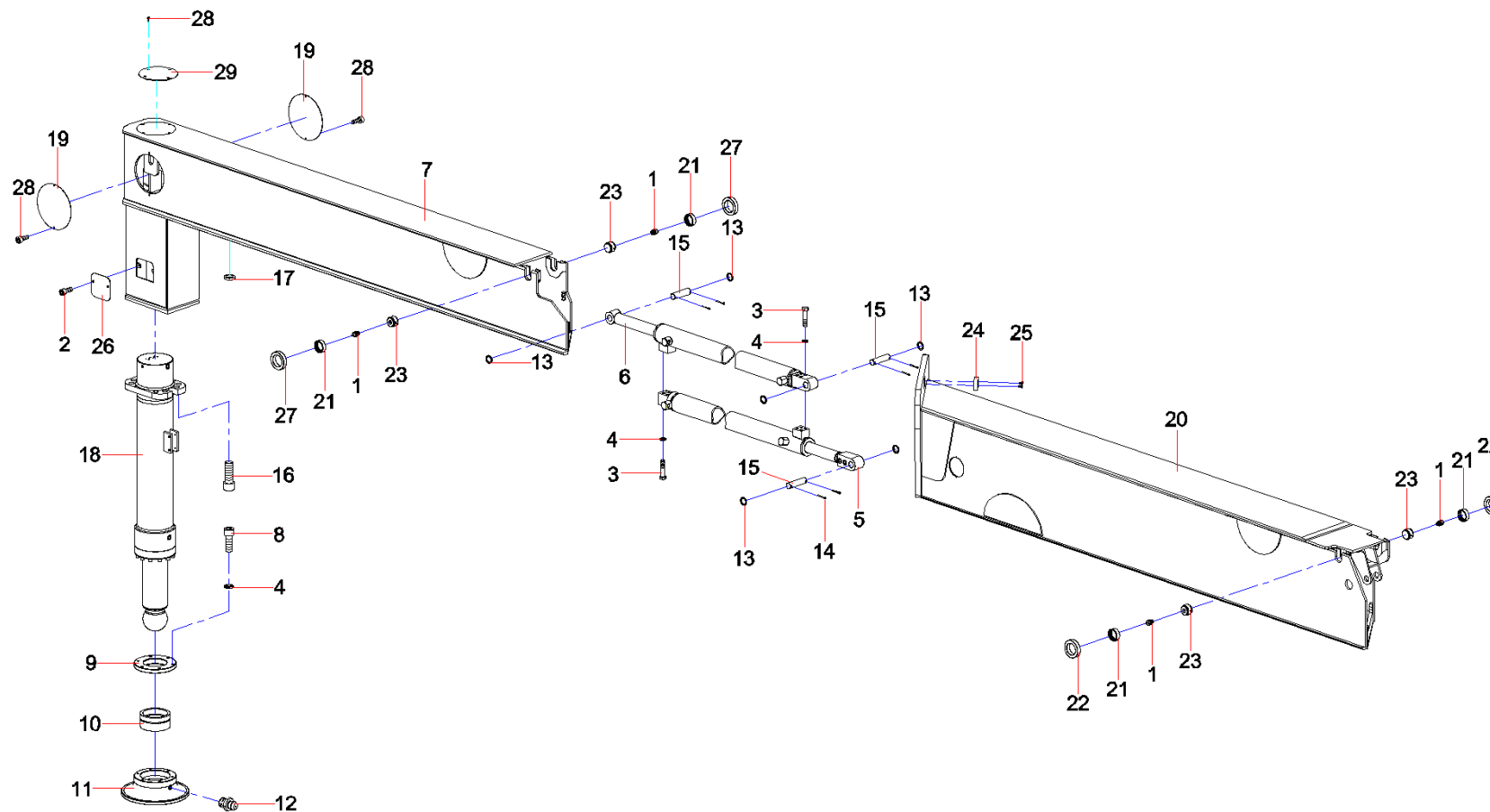
Item No.	Part No.	Description	Qty.	Remark
1	A820201001491	Cover, end	1	
2	10206391	Piston	1	
3	A210208000007	Screw	2	
4	B230101000201	Ring, guide	2	
5	B230101001842	Seal, MPS-ring	2	
6	A210609000272	O-ring	2	
7	A810302010130	Rod, piston	1	
8	A820202006717	Barrel, cylinder	1	
9	A210609000165	O-ring	1	
10	B230101000107	Ring, guide	2	
11	B230101001101	Seal, ring	1	
12	A820101355663	Plate, fixed	1	
13	A820202006425	Sleeve, guide	1	
14	B230101002121	Ring, seal, MPS-type	1	
15	B230101002092	Ring, dustproof	1	
16	10680092	Oil port, 90°	2	



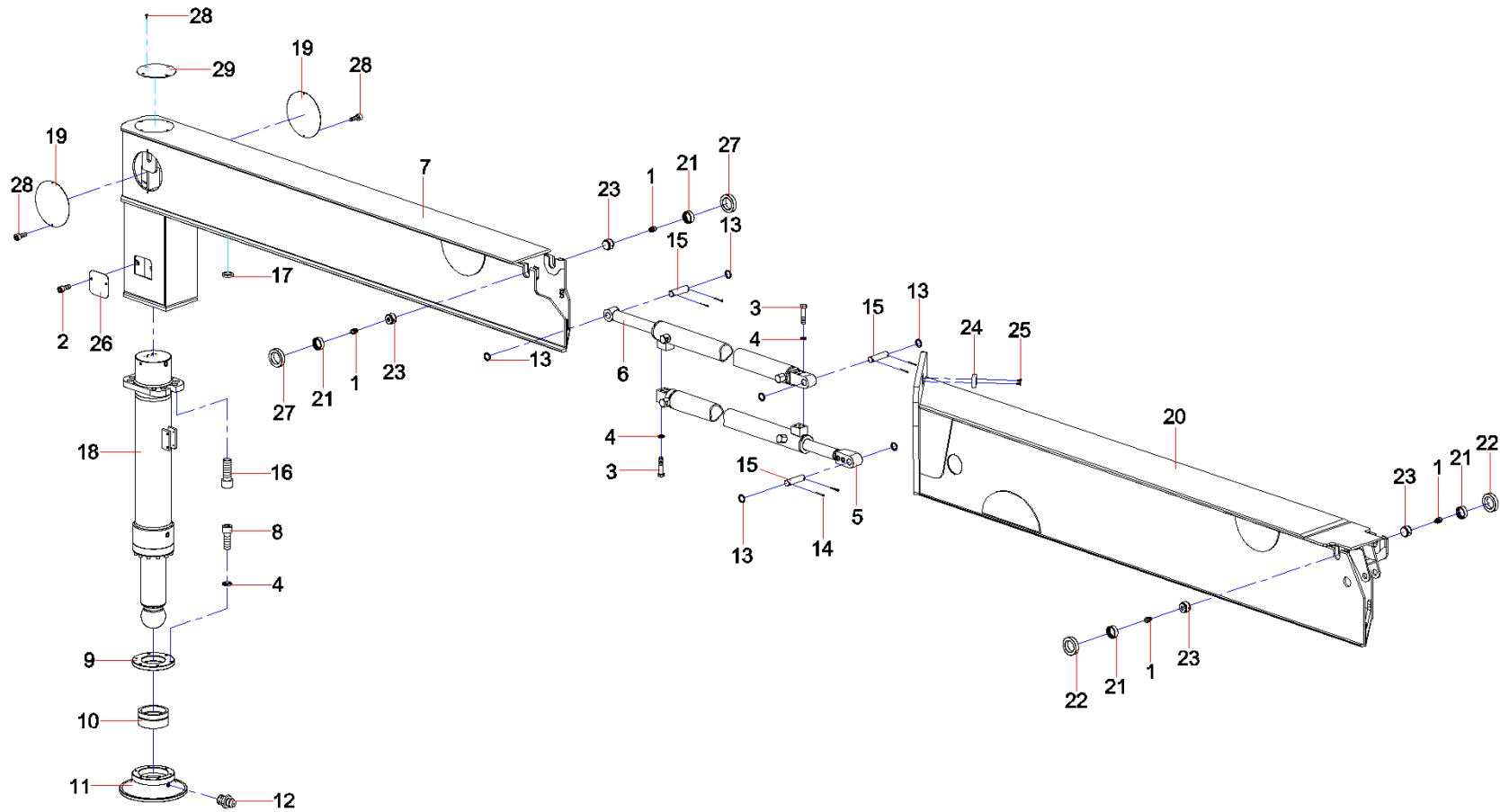
A810302010131 Oil cylinder, telescopic, outrigger, front



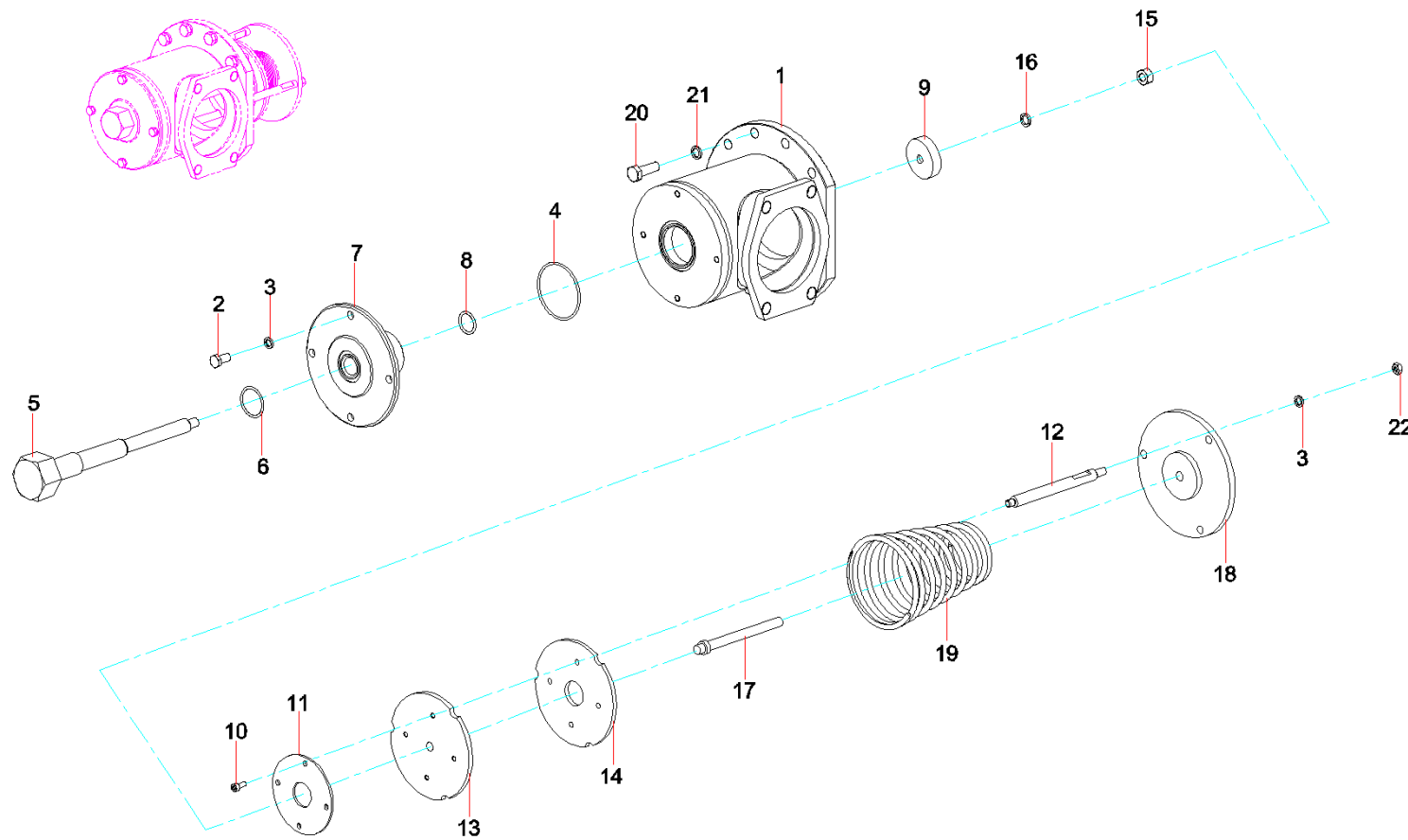
Item No.	Part No.	Description	Qty.	Remark
1	A820201001493	Cover, cylinder	1	
2	A210419000003	Ring, retainer	1	
3	A210217000005	Screw	1	
4	B230101000111	Ring, guide	2	
5	B230101000868	Seal, KR-ring	1	
6	A210609000272	O-ring	2	
7	A820402000243	Piston	1	
8	A810302010132	Rod, piston	1	
9	A820202006718	Barrel, cylinder	1	
10	B230101000414	O-ring	1	
11	B230101000107	Ring, guide	2	
12	B230101001101	Seal, ring	1	
13	A820202006425	Sleeve, guide	1	
14	B230101002121	Ring, seal, MPS-type	1	
15	B230101002092	Ring, dustproof	1	
16	10680092	Oil port, 90°	2	
17	A820101355663	Plate, fixed	1	



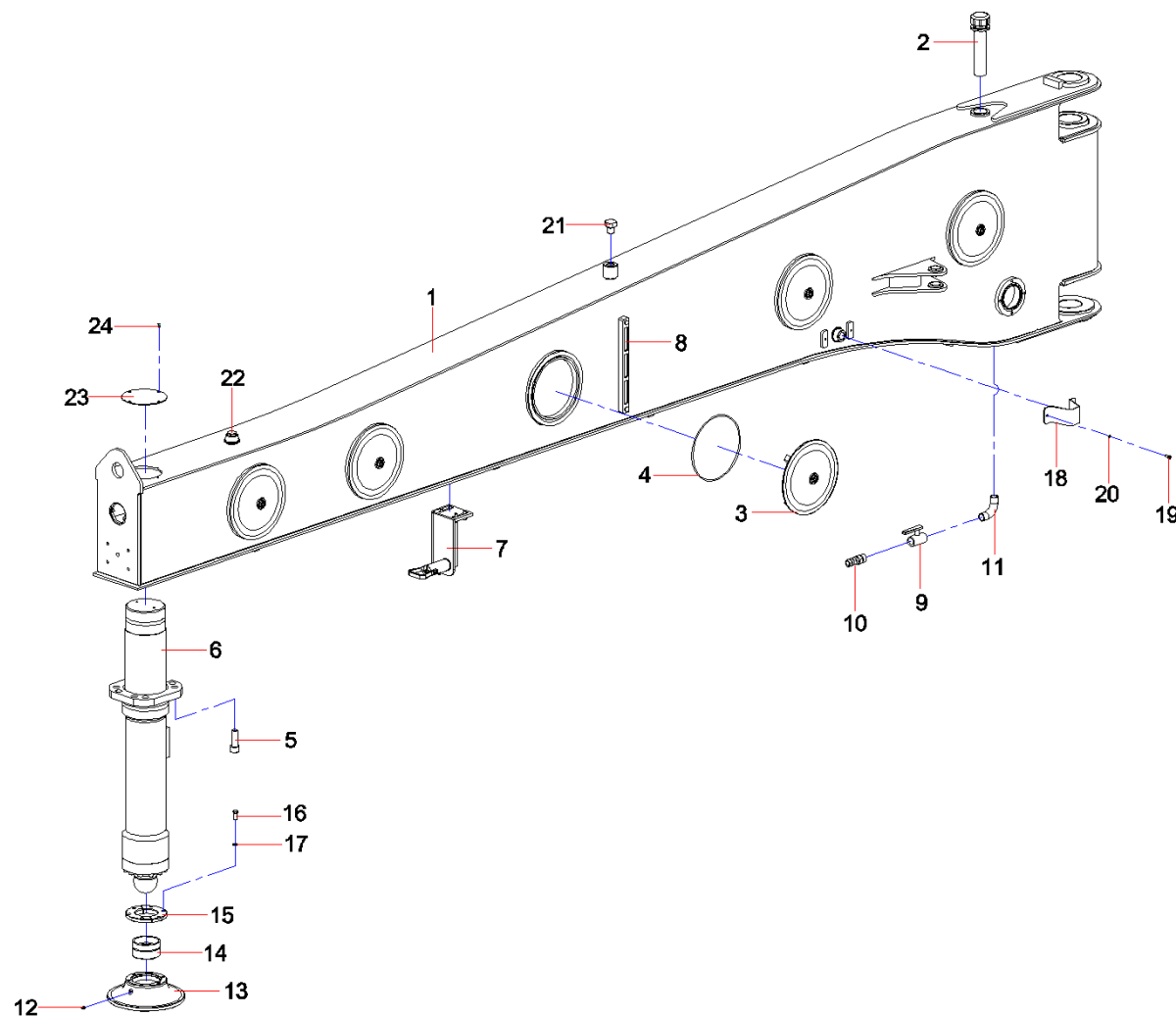
Item No.	Part No.	Description	Qty.	Remark
1	A210804000003	Cup, oil	4	
2	A210204000130	Screw	4	
3	A210110000014	Bolt	8	
4	A210401000002	Washer	14	
5	10217326	Oil cylinder, telescopic, outrigger, front	1	
6	A810302010131	Oil cylinder, telescopic, outrigger, front	1	
7	12612989	Arm, extension	1	
8	A210111000039	Bolt	6	
9	A820102010763	Plate, pressure	1	
10	11966235	Bush, bearing	1	
11	A820403000833	Seat, outrigger	1	
12	A210804000001	Cup, oil	1	
13	A210405000014	Washer	6	
14	A210501000010	Pin	6	
15	A820301018265	Shaft, pin	3	
16	A210204000095	Screw	8	
17	10765456	Sleeve, protective	1	
18	12634450	Oil cylinder, outrigger, front	1	
19	A820101990716	Plate, cover	2	
20	12586607	Arm, extension	1	
21	A820208000409	Bearing	4	
22	A820299002216	Roller	2	



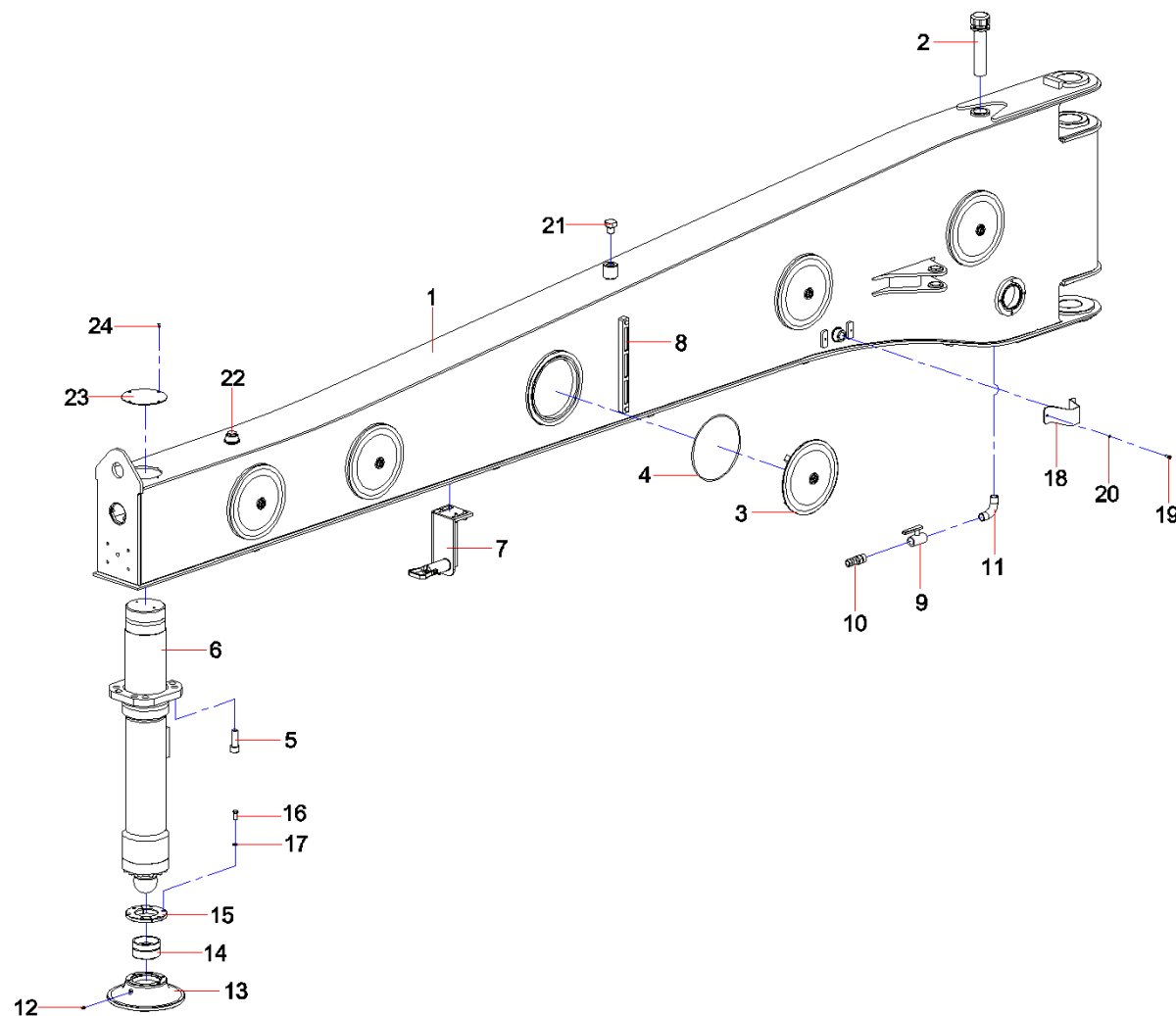
Item No.	Part No.	Description	Qty.	Remark
23	A820301018516	Shaft, roller	4	
24	10682796	Plate, limit	1	
25	A210211000010	Screw	2	
26	A820101356099	Plate, cover	2	
27	12500886	Roller	2	
28	A210204000172	Screw	8	
29	A820101351056	Plate, cover	1	



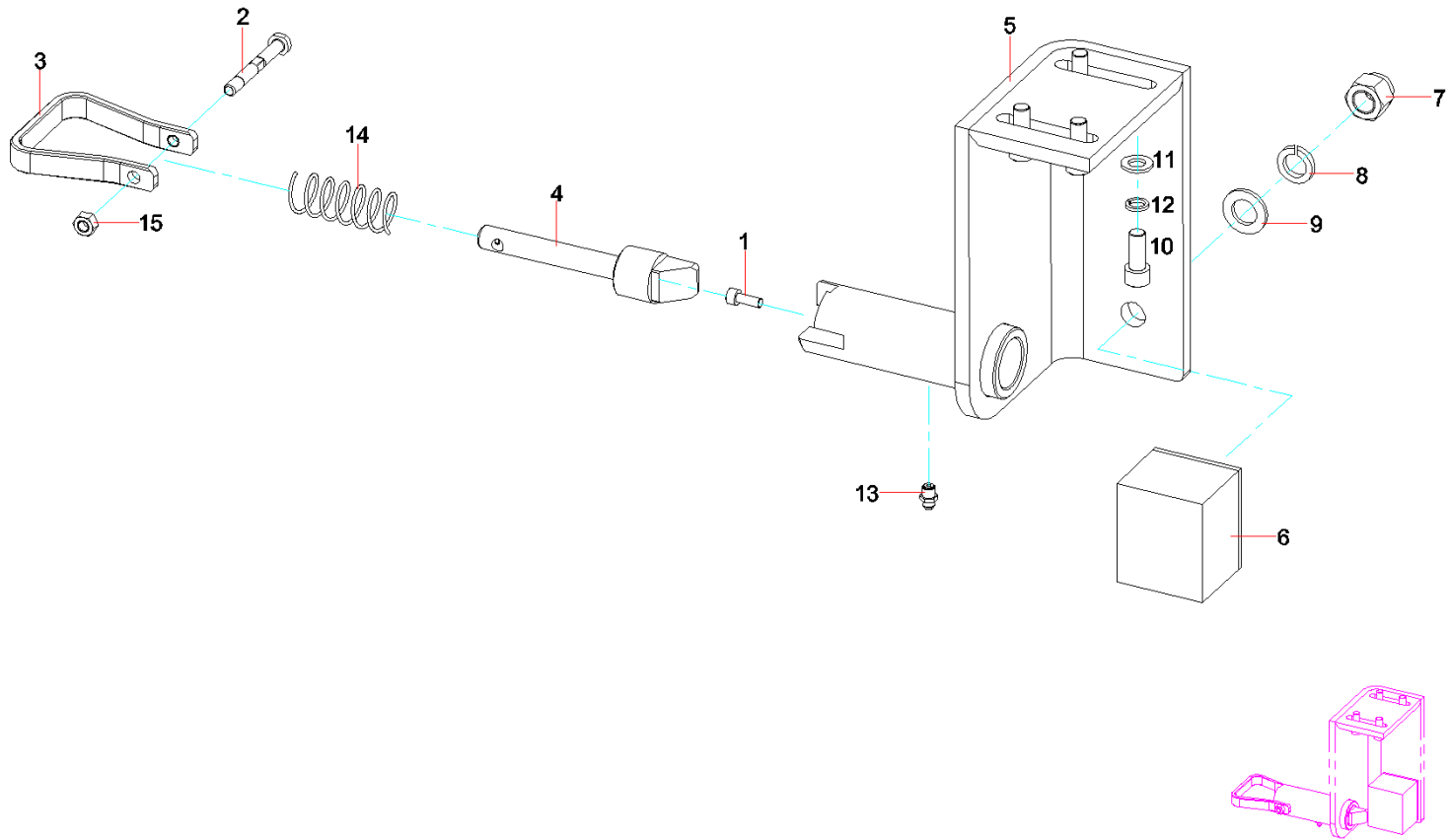
Item No.	Part No.	Description	Qty.	Remark
1	A810302060097	Housing	1	
2	A210111000088	Bolt	4	
3	A210401000017	Washer	7	
4	B230101000651	O-ring	1	
5	A820301014353	Bolt, adjusting	1	
6	A210609000194	O-ring, fluororubber	1	
7	A820203001830	Cover, end	1	
8	B230101000649	O-ring	1	
9	A820202000191	Plate, top	1	
10	A210204000115	Screw	4	
11	A820203001831	Plate, pressure	1	
12	A820301010172	Stud	3	
13	A820606020271	Plate, rubber	1	
14	A820203001832	Plate, sealing	1	
15	A210307000017	Nut	1	
16	A210401000001	Washer	1	
17	A820301010171	Pillar, guide	1	
18	A820101315128	Plate, bottom	1	
19	A820209020001	Spring	1	
20	A210111000038	Bolt	10	
21	A210401000002	Washer	10	
22	A210307000012	Nut	3	



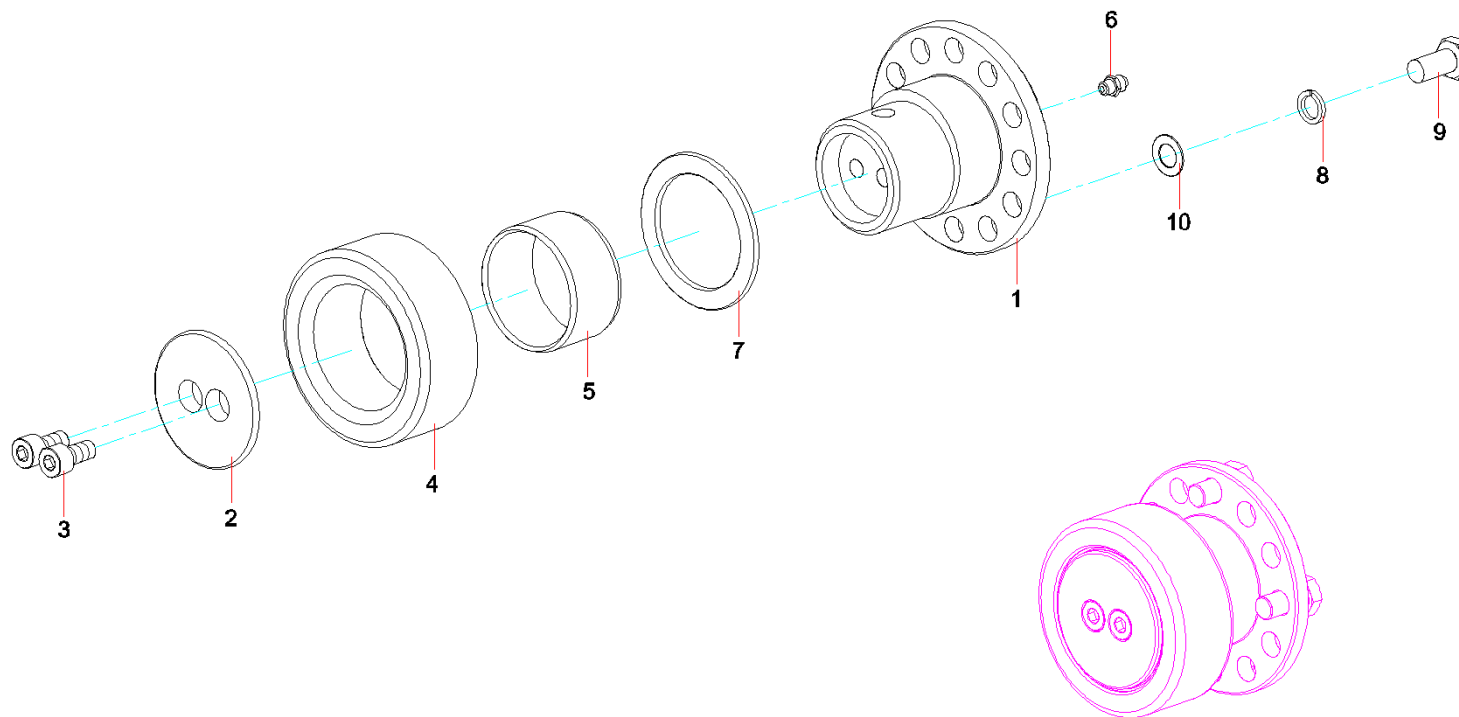
Item No.	Part No.	Description	Qty.	Remark
1	12617460	Arm, outrigger, rear, left	1	
2	60151318	Filter, air	1	
3	11340017	Flange cover AS	5	
4	A210609000294	O-ring	5	
5	A210204000095	Screw	8	
6	12634395	Oil cylinder , outrigger, rear	1	
7	11824005	Mounting, lock, outrigger, left	1	
8	60054115	Meter, lever, liquid	1	
9	60107391	Valve, ball	1	
10	12652890	Pipe, outlet, water	1	
11	60107392	Adapter, male	1	
12	A210804000001	Cup, oil	1	
13	A820403000833	Seat, outrigger	1	
14	11966235	Bush, bearing	1	
15	A820102010763	Plate, pressure	1	
16	A210111000038	Bolt	6	
17	A210401000002	Washer	6	
18	12213978	Cover, protective	1	
19	A210204000146	Screw	2	
20	A210401000017	Washer	2	
21	12576443	Special-made bolt	1	
22	10763074	Plug	2	



Item No.	Part No.	Description	Qty.	Remark
23	11722153	Plate, cover	1	
24	A210203000016	Screw	4	



Item No.	Part No.	Description	Qty.	Remark
1	A210204000130	Screw	1	
2	11222794	Pin, cross	1	
3	11222978	Handhold	1	
4	11222687	Tongue, lock	1	
5	11824008	Support, lock, left	1	
6	A810599000110	Pad, buffer	1	
7	A210302000004	Nut	1	
8	A210401000004	Washer	1	
9	A210405000003	Washer	1	
10	A210204000161	Screw	4	
11	A210405000011	Washer	4	
12	A210401000001	Washer	4	
13	A210804000001	Cup, oil	1	
14	A210616000032	Spring	1	
15	A210307000012	Nut	1	

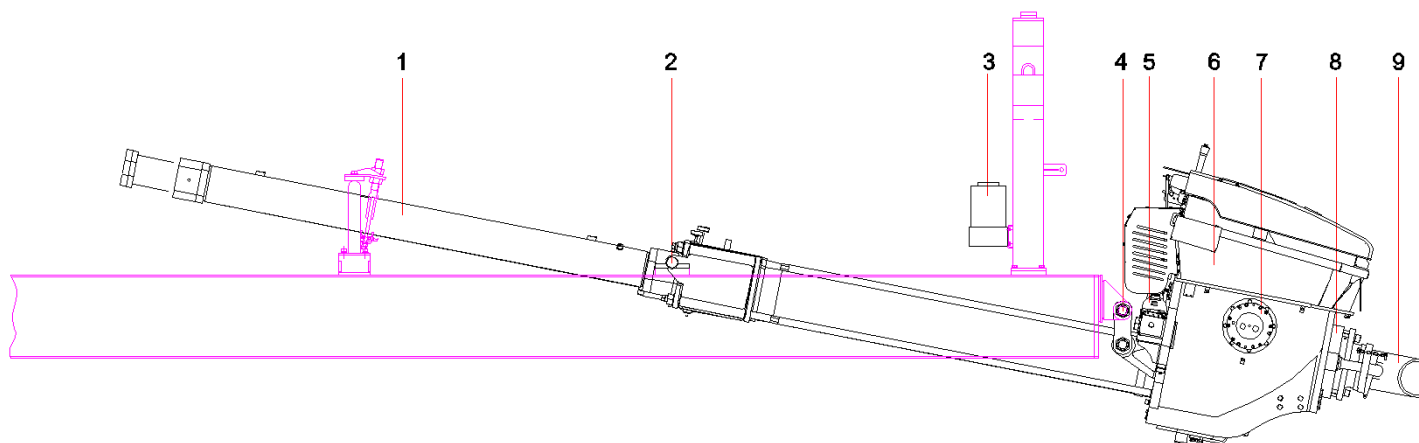


Item No.	Part No.	Description	Qty.	Remark
1	11296613	Shaft, roller	1	
2	A820201010036	Cover, end, roller	1	
3	A210204000146	Screw	2	
4	A820301018816	Roller	1	
5	A820202000951	Bearing	1	
6	A210804000003	Cup, oil	1	
7	10855582	Ring, spacing	1	
8	A210401000001	Washer	4	
9	A210111000018	Bolt	4	
10	A210405000011	Washer	4	

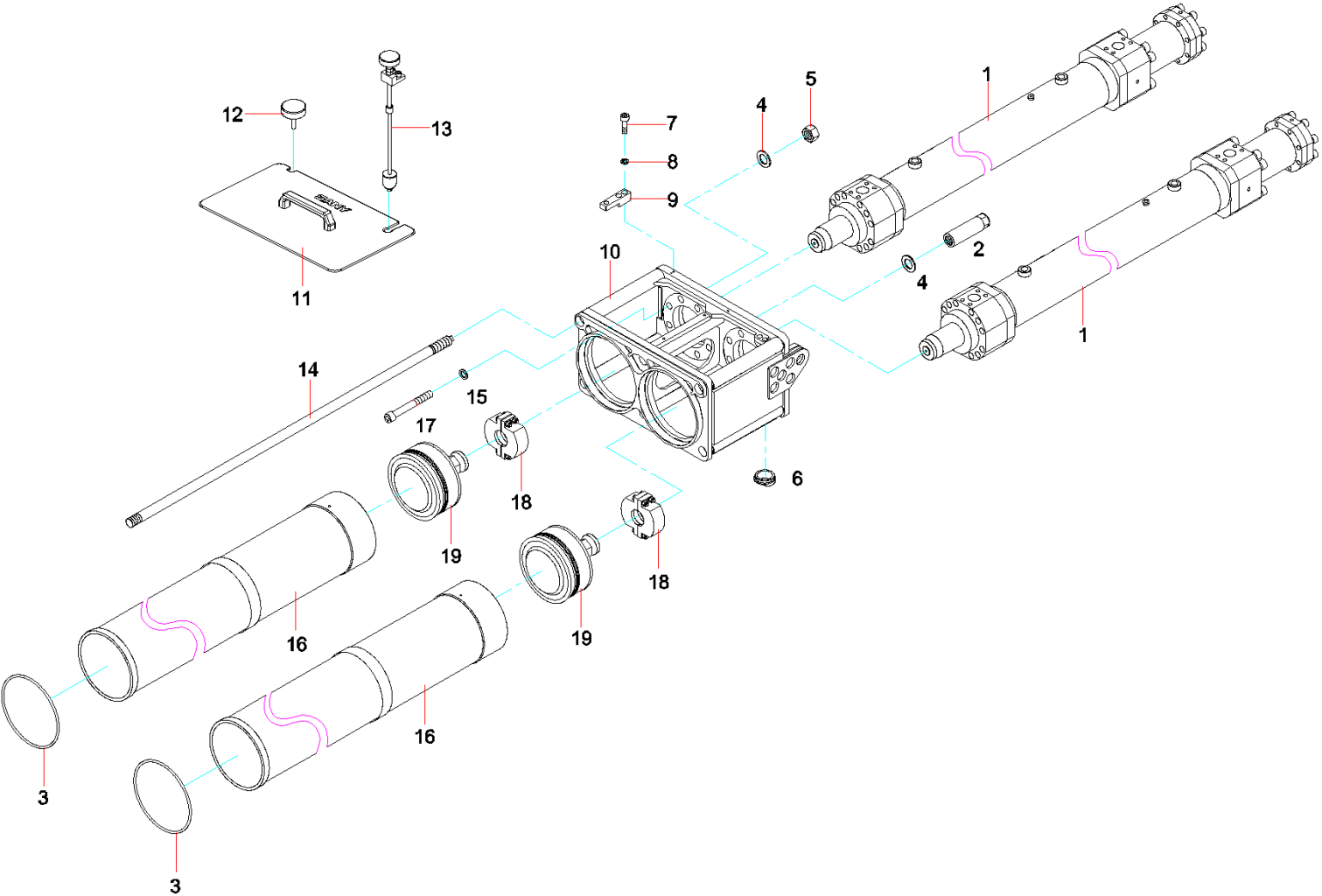


Group 4

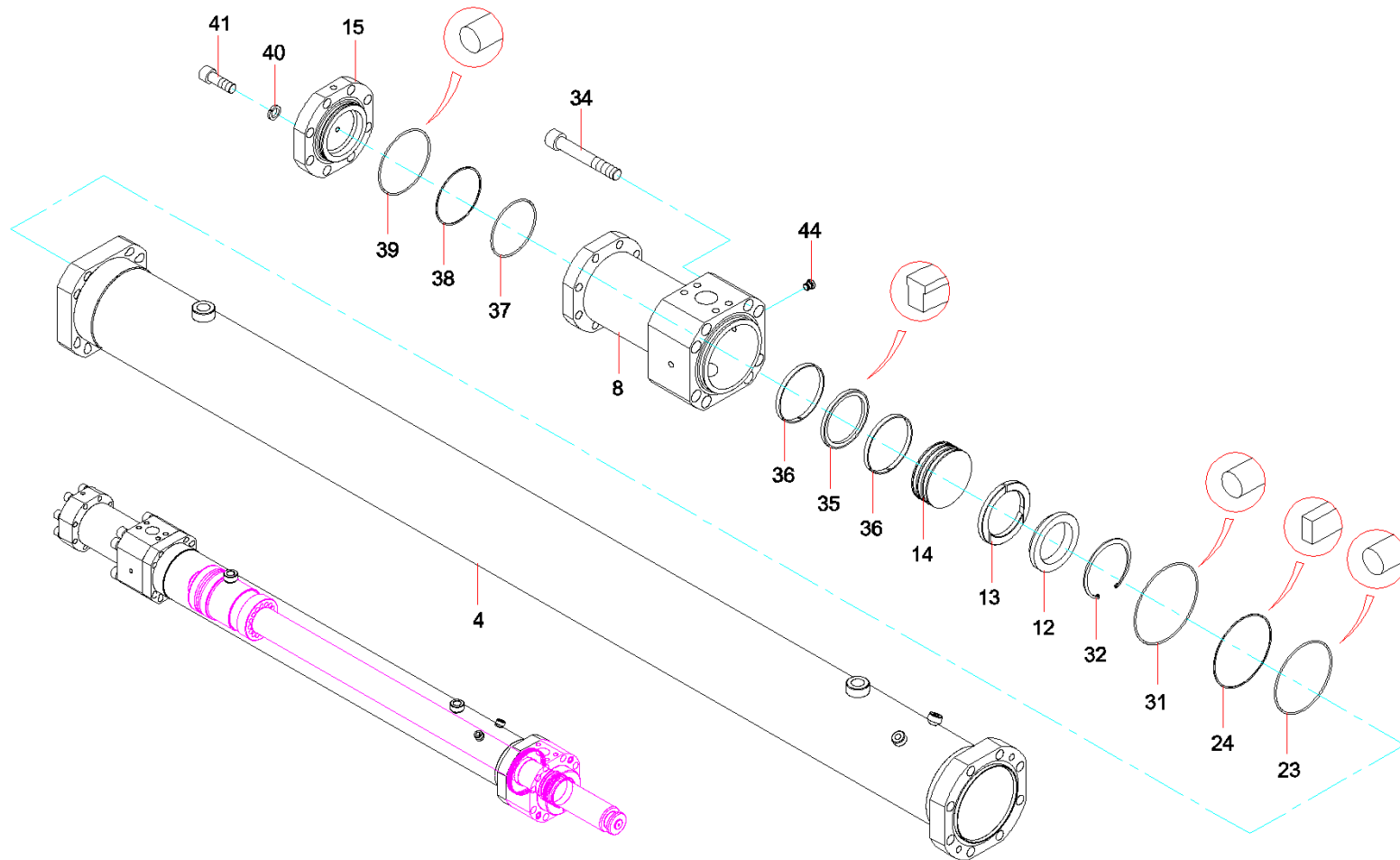
Pumping system



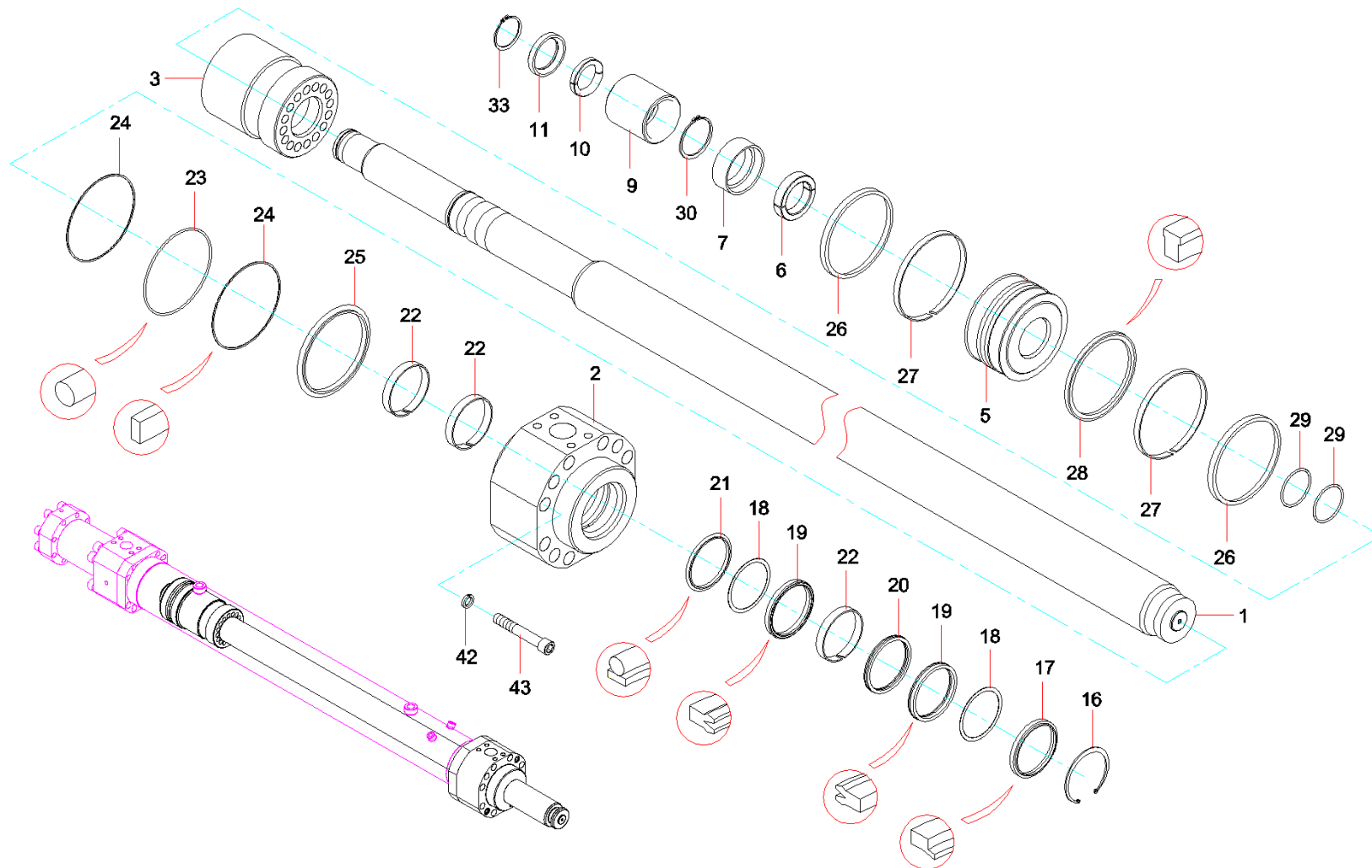
Item No.	Part No.	Description	Qty.	Remark
1	12693164	Pumping mechanism	1	
2	12784926	Support, water tank	2	
3	12826476	Lubrication system	1	
4	11660952	Hanger, hopper	2	
5	12759825	Swing mechanism	1	
6	12207286	Hopper	1	
7	A810301050067	Mixing device	1	
8	A810301032054	S-valve GP	1	
9	11206195	Group, elbow, hinged	1	



Item No.	Part No.	Description	Qty.	Remark
1	12686425	Cylinder, oil, main	2	
2	A820204000363	Nut	1	
3	A210609000328	O-ring	2	
4	A210405000024	Washer	6	
5	A820204000365	Nut	5	
6	A820202005774	Cock, drain	1	
7	A210204000131	Screw	2	
8	A210401000016	Washer	2	
9	11403852	Block, supporting	1	
10	11700119	Tank, water	1	
11	11661589	Plate, cover	1	
12	A820103010119	Screw, spiral	1	
13	10628953	Drainage device	1	
14	12549133	Rod, tie	6	
15	A210407000008	Washer	16	
16	12549136	Cylinder, delivery	2	
17	60100544	Screw	16	
18	A810301040342	Connector, clamp	2	
19	12595944	Head, piston	2	

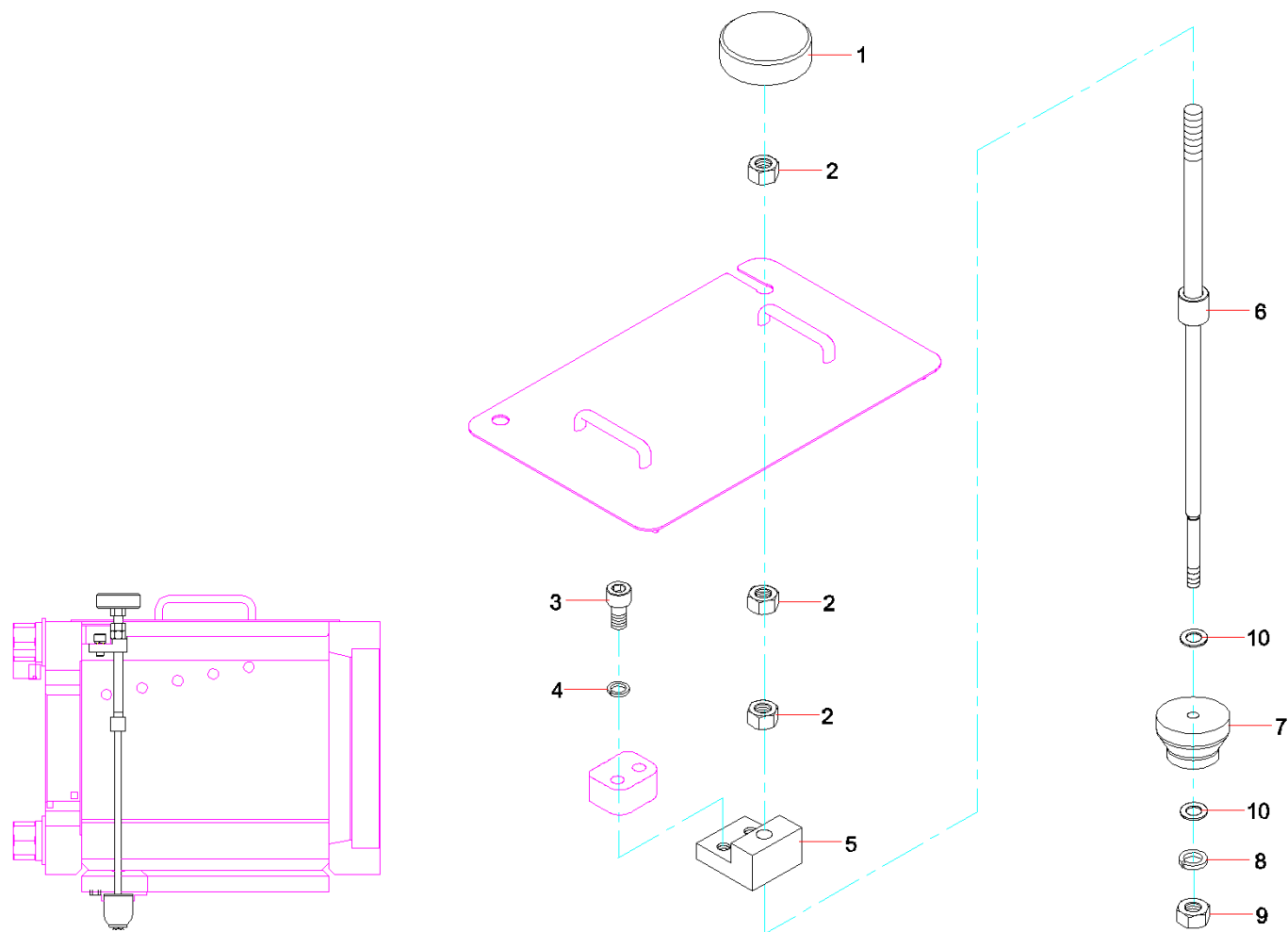


Item No.	Part No.	Description	Qty.	Remark
4	12686415	Cylinder body	1	
8	12597056	Limit cylinder body	1	
12	11660063	Sleeve, key, clipping	1	
13	11660086	Key, clipping, hole	1	
14	10514336	Piston, limit	1	
15	11659394	Cover, cylinder	1	
23	24002569	O-ring	2	
24	10514326	Ring, retainer	3	
31	A210609000276	O-ring	1	
32	A210416000005	Ring, retainer	1	
34	A210204000086	Screw	8	
35	B230101001084	Ring, seal, CUT	1	
36	B230101001074	Ring, guide	2	
37	A210609000123	O-ring	1	
38	10514346	Ring, retainer	1	
39	A210609000303	O-ring	1	
40	A210401000006	Washer	8	
41	A210204000060	Screw	8	
44	B210780000201	Plug, screw	1	

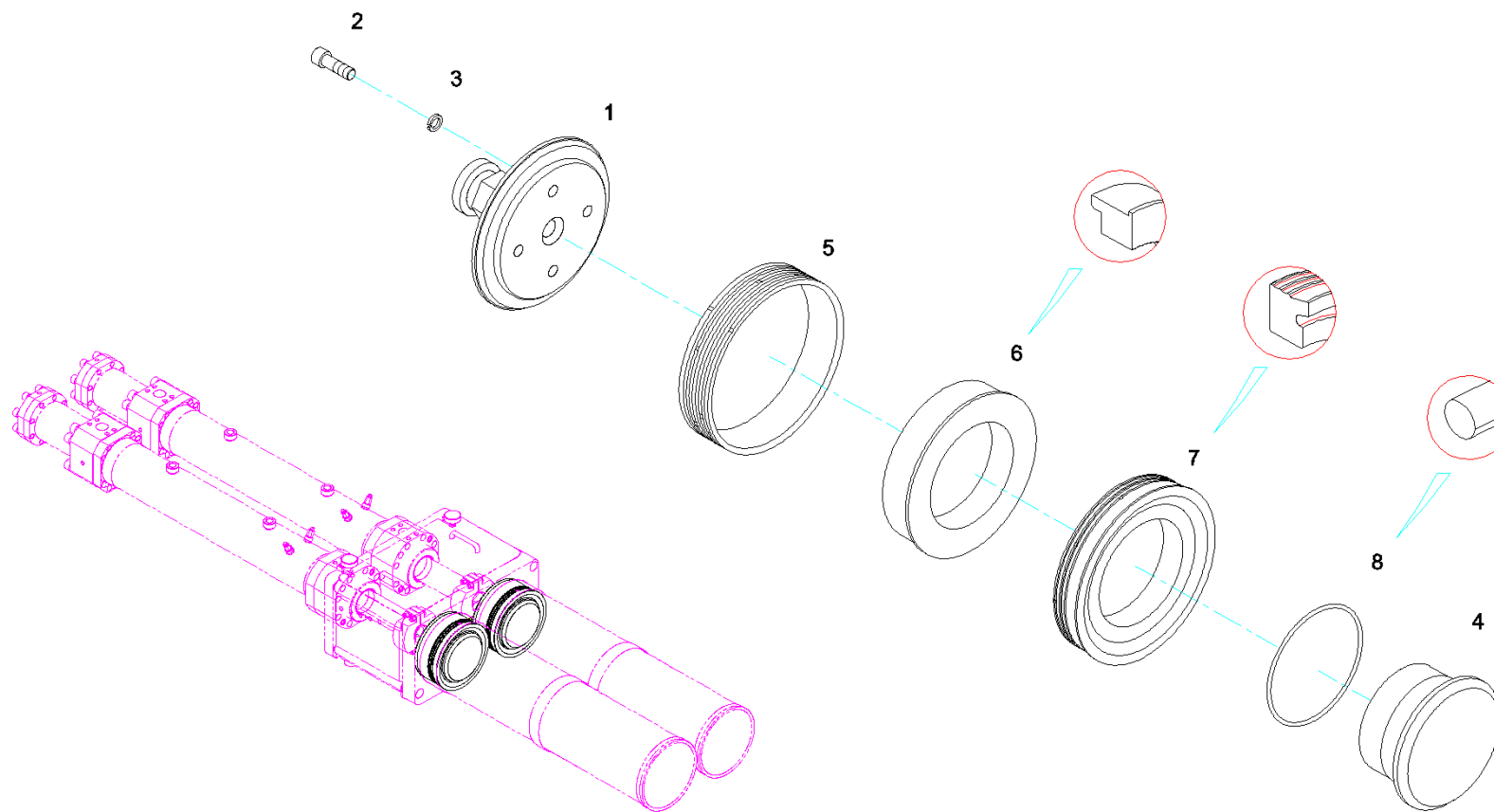


Item No.	Part No.	Description	Qty.	Remark
1	12686423	Rod, piston	1	
2	12686416	Gland	1	
3	12597117	Sleeve, inductive	1	
5	A820202003636	Piston, working	1	
6	A820208000161	Key, clipping, shaft	1	
7	A820202003241	Cap, key, clipping	1	
9	12597106	sleeve, Inductive	1	
10	12597060	Key, clipping, shaft	1	
11	12597033	Cap, key, clipping	1	
16	A210417000001	Ring, retainer	1	
17	60044255	Ring, dustproof	1	
18	A880806030096	Ring, bearing	2	
19	60115017	Seal, BS-ring	2	
20	60078228	Ring, seal	1	
21	B230101000689	GS-ring, seal	1	
22	B230101000114	Ring, guide	3	
23	24002569	O-ring	2	
24	10514326	Ring, retainer	3	
25	60083230	Seal, K08-D-ring	1	
26	60044195	Ring, anti-smudging	2	
27	B230101000848	Ring, guide	2	
28	B230101001093	CUT-ring, seal	1	

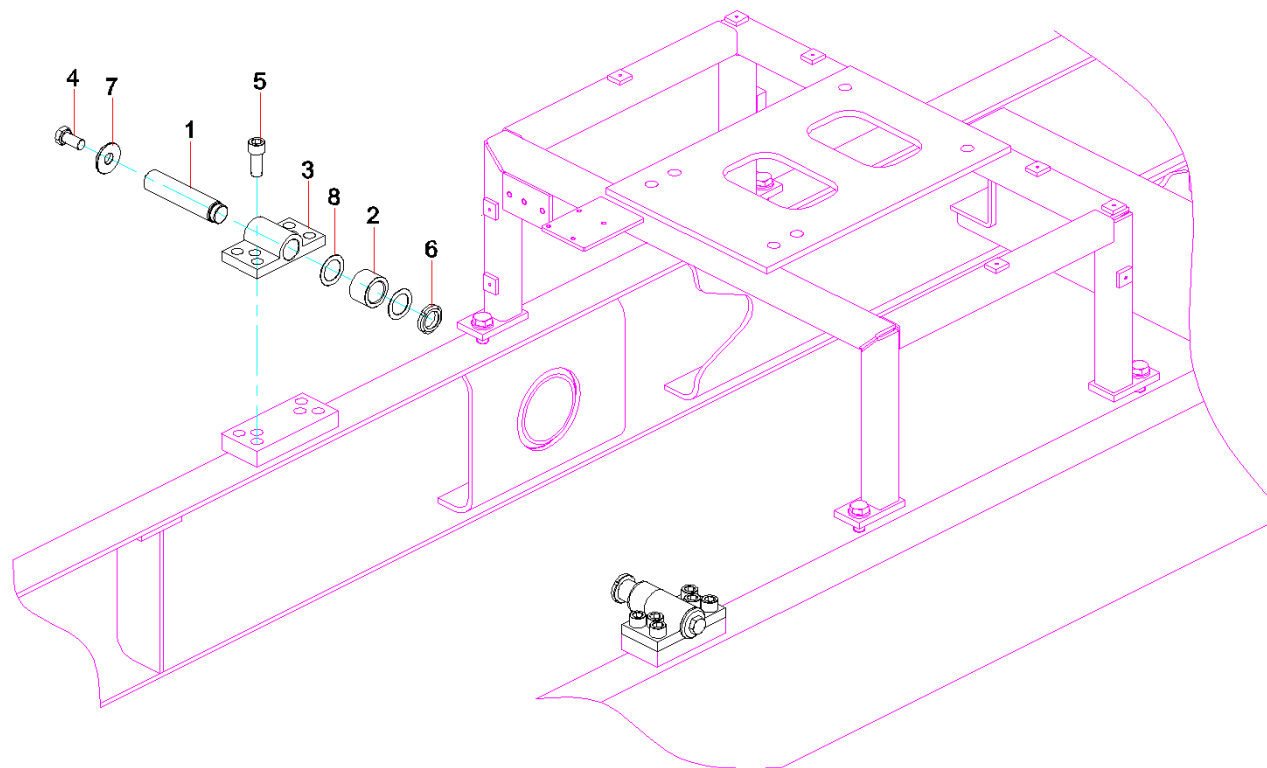
Item No.	Part No.	Description	Qty.	Remark
29	A210609000168	O-ring	2	
30	A210414000033	Ring, retainer	1	
33	A210414000037	Ring, retainer	1	
42	A210401000002	Washer	2	
43	A210204000296	Screw	2	



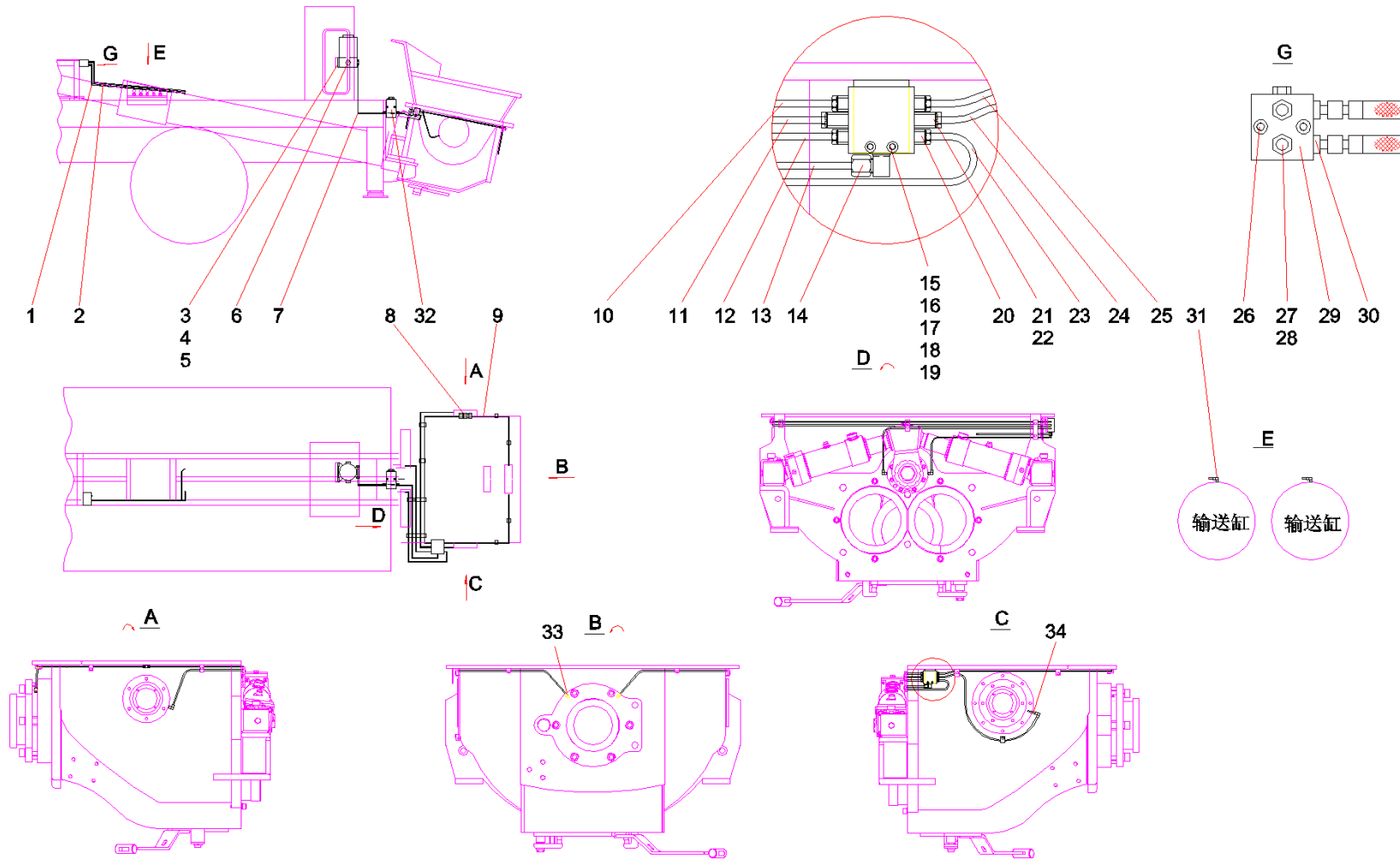
Item No.	Part No.	Description	Qty.	Remark
1	A820204000100	Screw, spiral	1	
2	A210307000001	Nut	3	
3	A210204000196	Screw	2	
4	A210401000001	Washer	2	
5	A820101019580	Support, positioning	1	
6	A810301040152	Rod, tie	1	
7	12210911	Plug, polyurethane	1	
8	A210401000017	Washer	1	
9	A210307000012	Nut	1	
10	A210404000005	Washer	2	



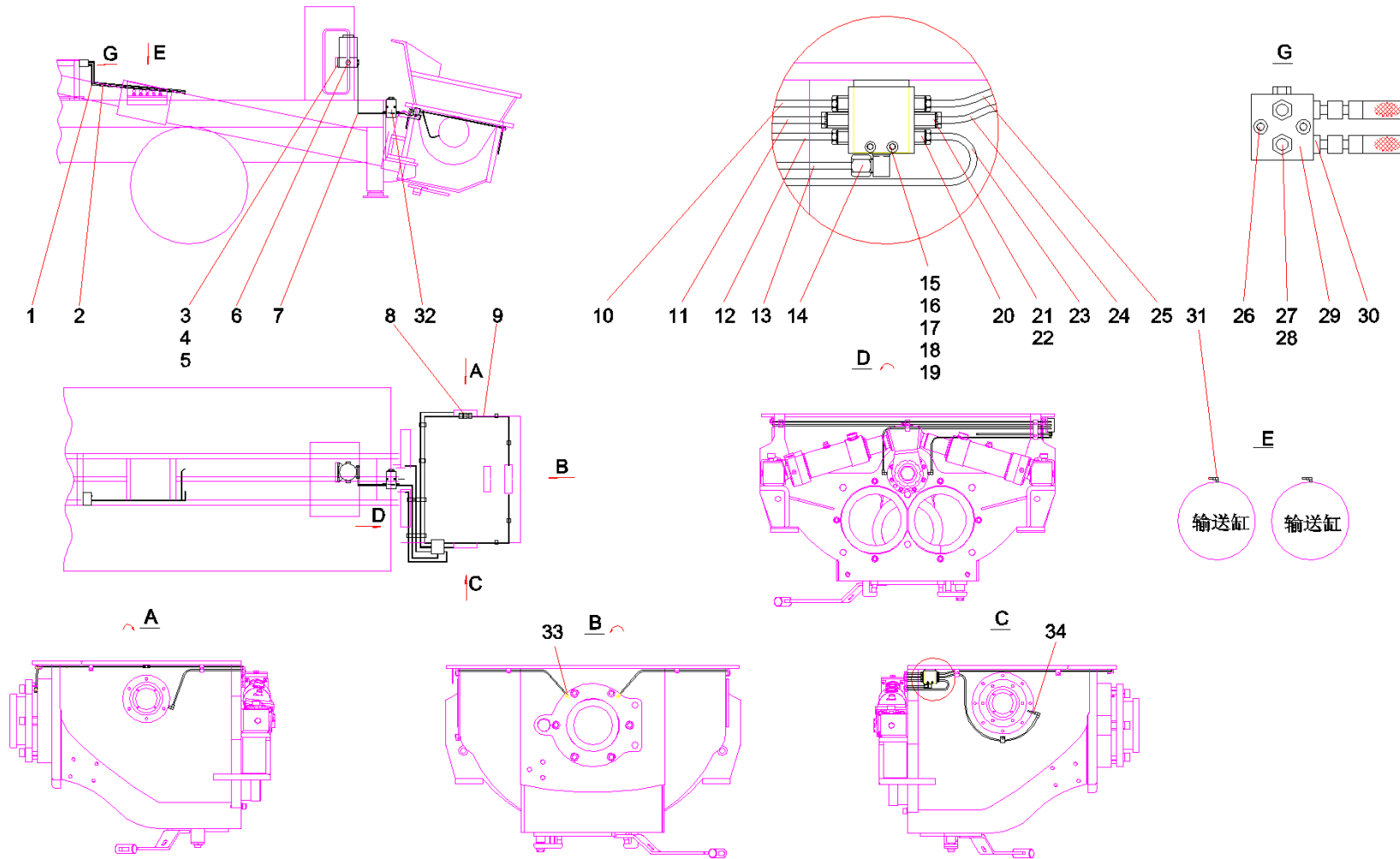
Item No.	Part No.	Description	Qty.	Remark
1	A820301014244	Rod, connection	1	
2	A210204000160	Screw	4	
3	A210401000004	Washer	4	
4	A820203001783	Plate, pressure	1	
5	11737546	Ring, guide	1	
6	A820203001784	Piston body	1	
7	60054349	Seal, concrete, rubber	1	
8	A210609000216	O-ring	1	



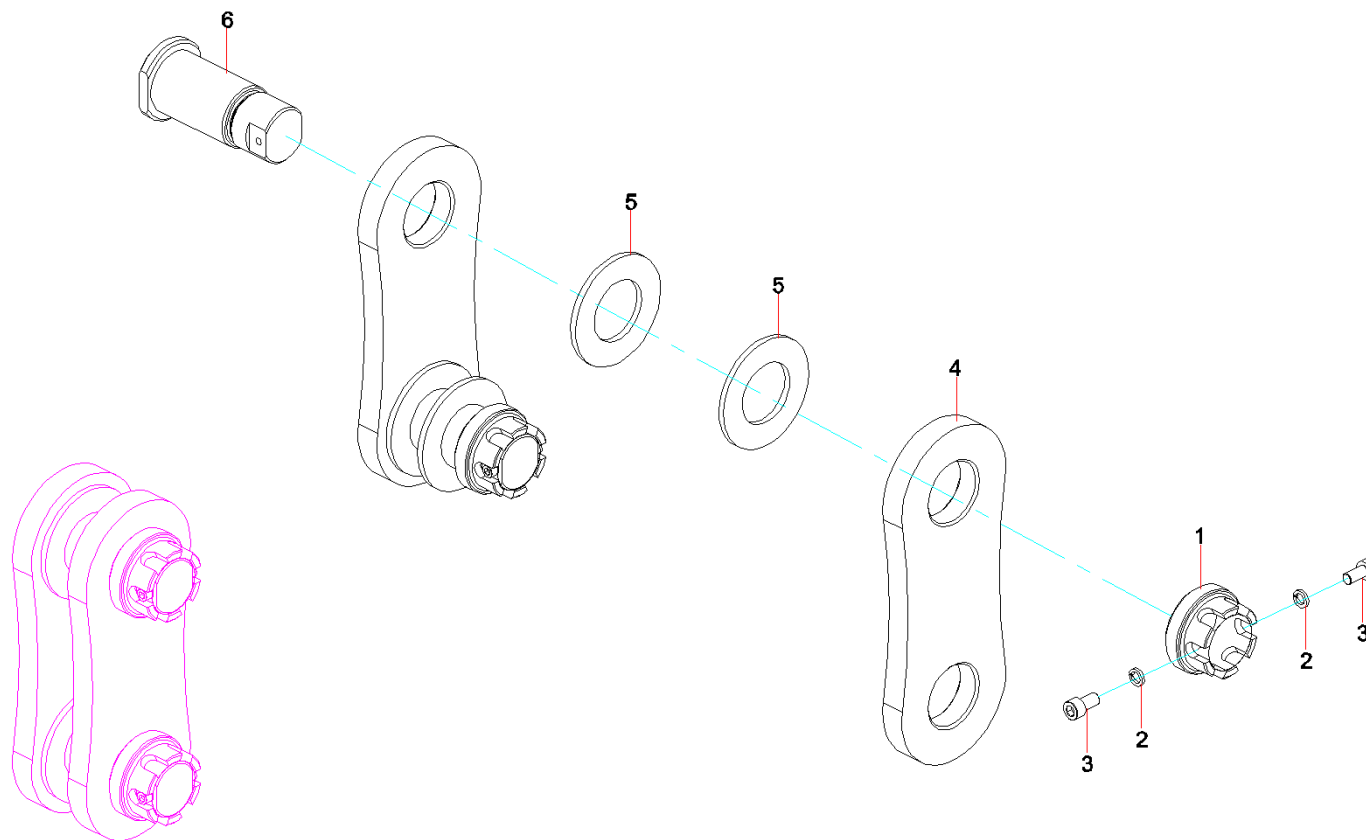
Item No.	Part No.	Description	Qty.	Remark
1	12784922	Supporting shaft, water tank	1	
2	12784923	Supporting sleeve, water tank	1	
3	12784921	Supporting seat, water tank	1	
4	A210111000220	Bolt	1	
5	A210204000216	Screw	6	
6	A210304000011	Nut	1	
7	12784924	Ring, retainer, shaft end	1	
8	12784925	Washer, adjusting	2	



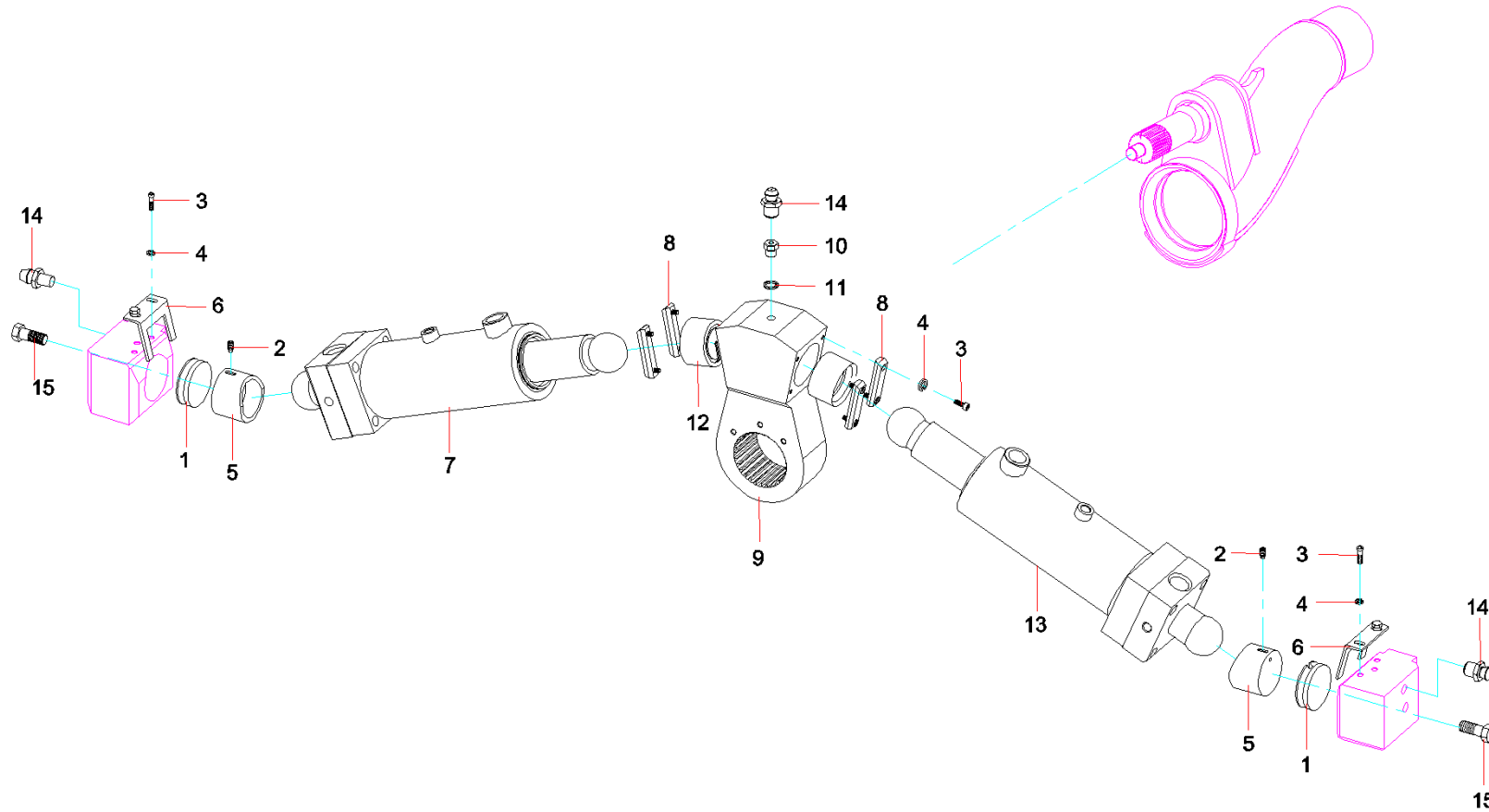
Item No.	Part No.	Description	Qty.	Remark
1	12868075	Pipe, oil	1	
2	12868091	Pipe, oil	1	
3	A210204000184	Screw	4	
4	A210401000017	Washer	6	
5	A210503000030	Pin	2	
6	60176255	Pump, lubrication, control, power	1	
7	12826448	Pipe, oil	1	
8	60186397	Connector, pipe, straightway	1	
9	12499392	Pipe, oil	1	
10	12499391	Pipe, oil	1	
11	12499389	Pipe, oil	1	
12	12499388	Pipe, oil	1	
13	12499395	Pipe, oil	1	
14	60191709	Connector, pipe, straightway, thread	5	
15	A210405000006	Washer	2	
16	A210307000016	Nut	2	
17	A210204000138	Screw	2	
18	A210401000016	Washer	2	
19	A229900009890	Distributor, step	1	
20	60186394	Connector, pipe, extended, straightway	4	
21	60186395	Connector, pipe, extended, straightway	2	
22	60161093	Pad, cooper	6	



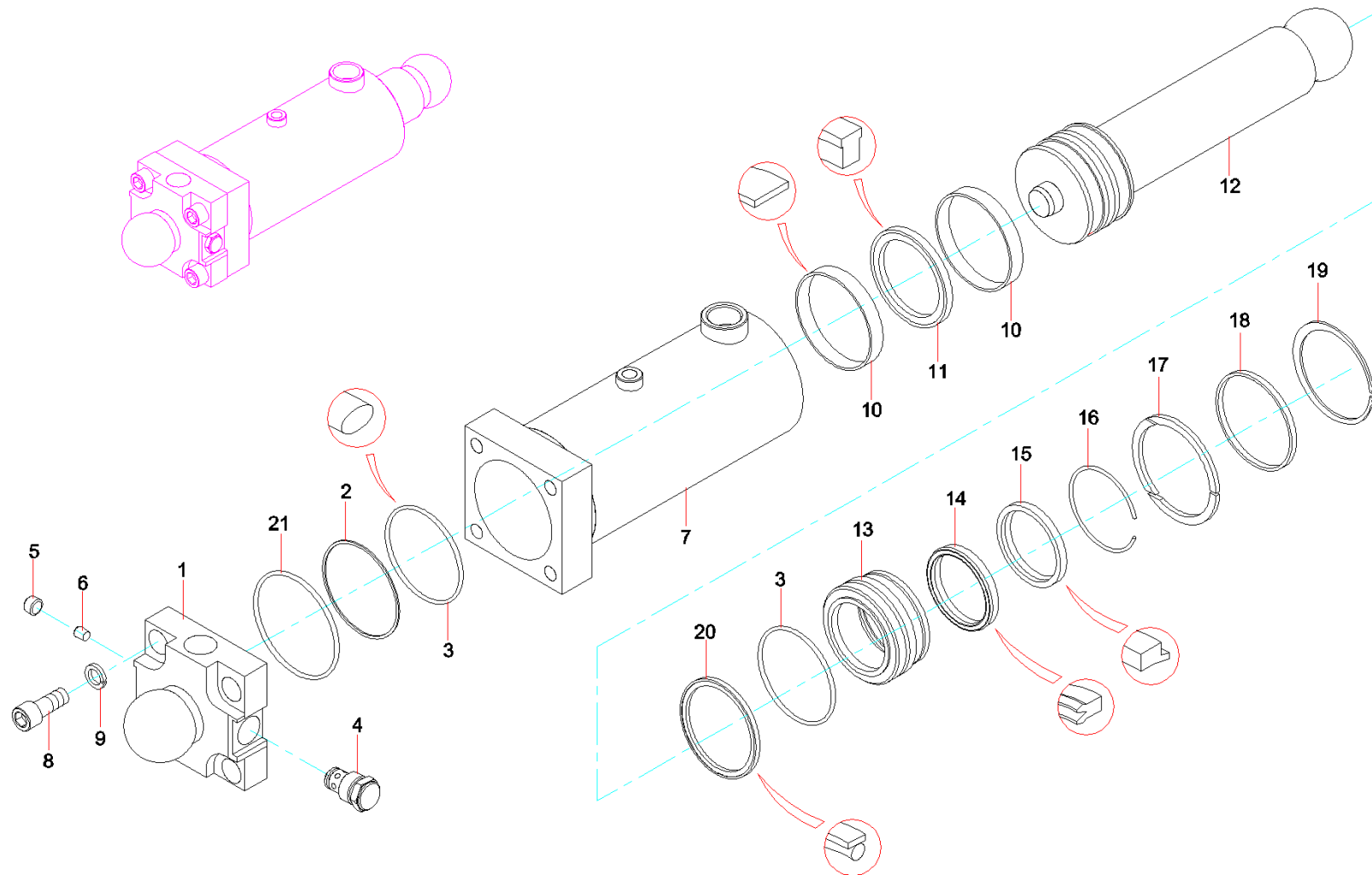
Item No.	Part No.	Description	Qty.	Remark
23	12499328	Pipe, oil	1	
24	12499307	Pipe, oil	1	
25	12499394	Pipe, oil	1	
26	A210204000151	Screw	2	
27	A210711000006	Connector, pipe	2	
28	A210441000002	Washer	2	
29	60035568	Valve, distribution, double-line	1	
30	B210780000733	Connector, pipe	2	
31	60016860	Male union elbow	2	
32	60016857	Filter, dry oil	1	
33	60186396	Connector, pipe, straightway, thread	2	
34	A820205000023	Pipe, connecting	1	



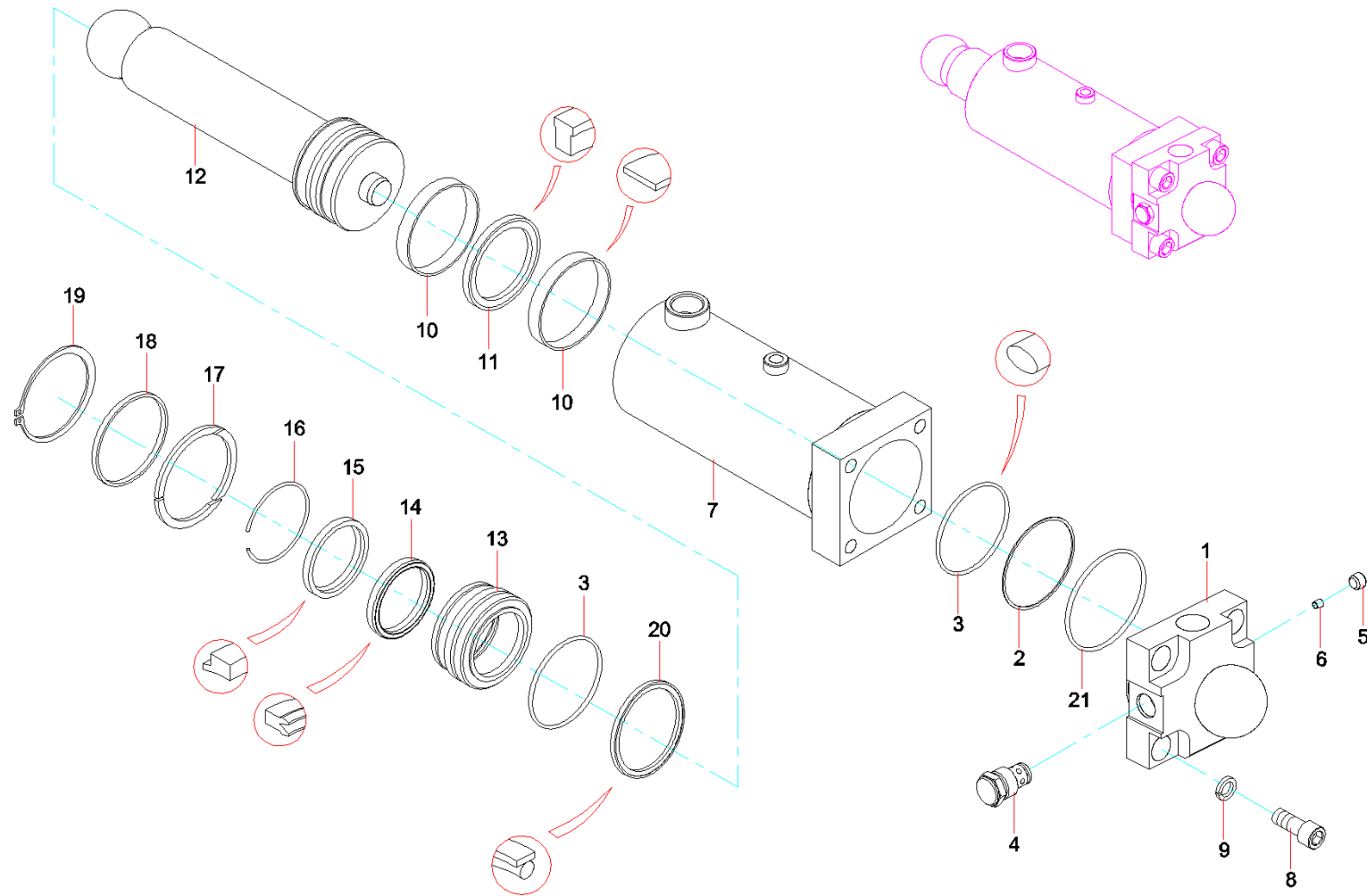
Item No.	Part No.	Description	Qty.	Remark
1	12441554	Nut	2	
2	A210401000016	Washer	4	
3	A210204000129	Screw	4	
4	12211591	Plate, side	2	
5	12211592	Washer, plain	4	
6	12440912	Shaft, pin	2	



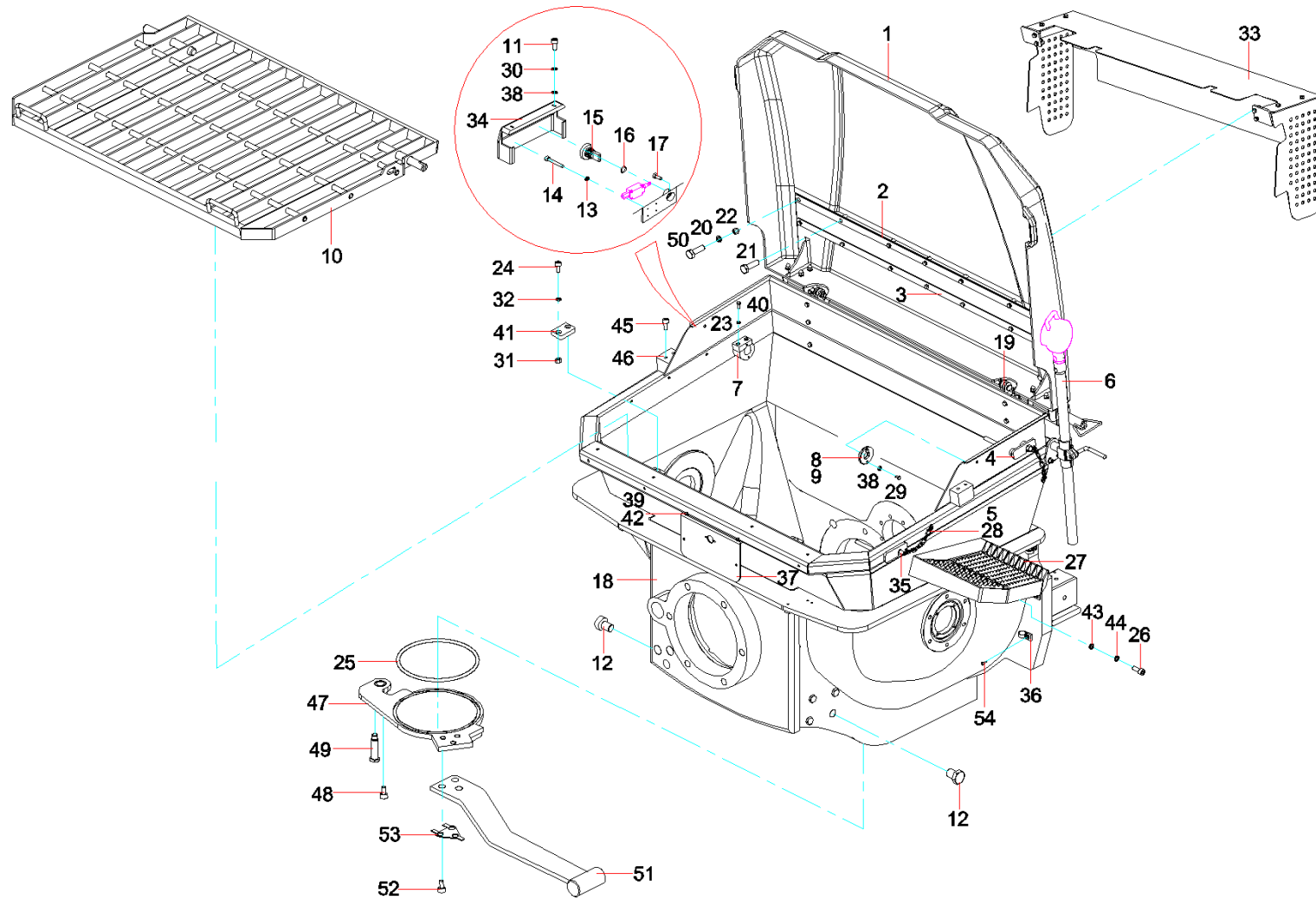
Item No.	Part No.	Description	Qty.	Remark
1	A820103010054	Plate, bearing	2	
2	A210208000001	Screw	2	
3	A210204000146	Screw	12	
4	A210401000017	Washer	12	
5	A820601040484	Bearing, spherical, lower	2	
6	A820101010889	Baffle, limit	2	
7	A810301060032	Cylinder, swing valve, left	1	
8	12631714	Plate, retainer, ball head	4	
9	12631560	Arm, rock	1	
10	12257441	Connector, changeover	1	
11	A210434000008	Washer	3	
12	A820404000091	Bearing, spherical, upper	2	
13	A810301060033	Cylinder, valve, swing, right	1	
14	A210804000001	Cup, oil	3	
15	A210111000105	Bolt	2	



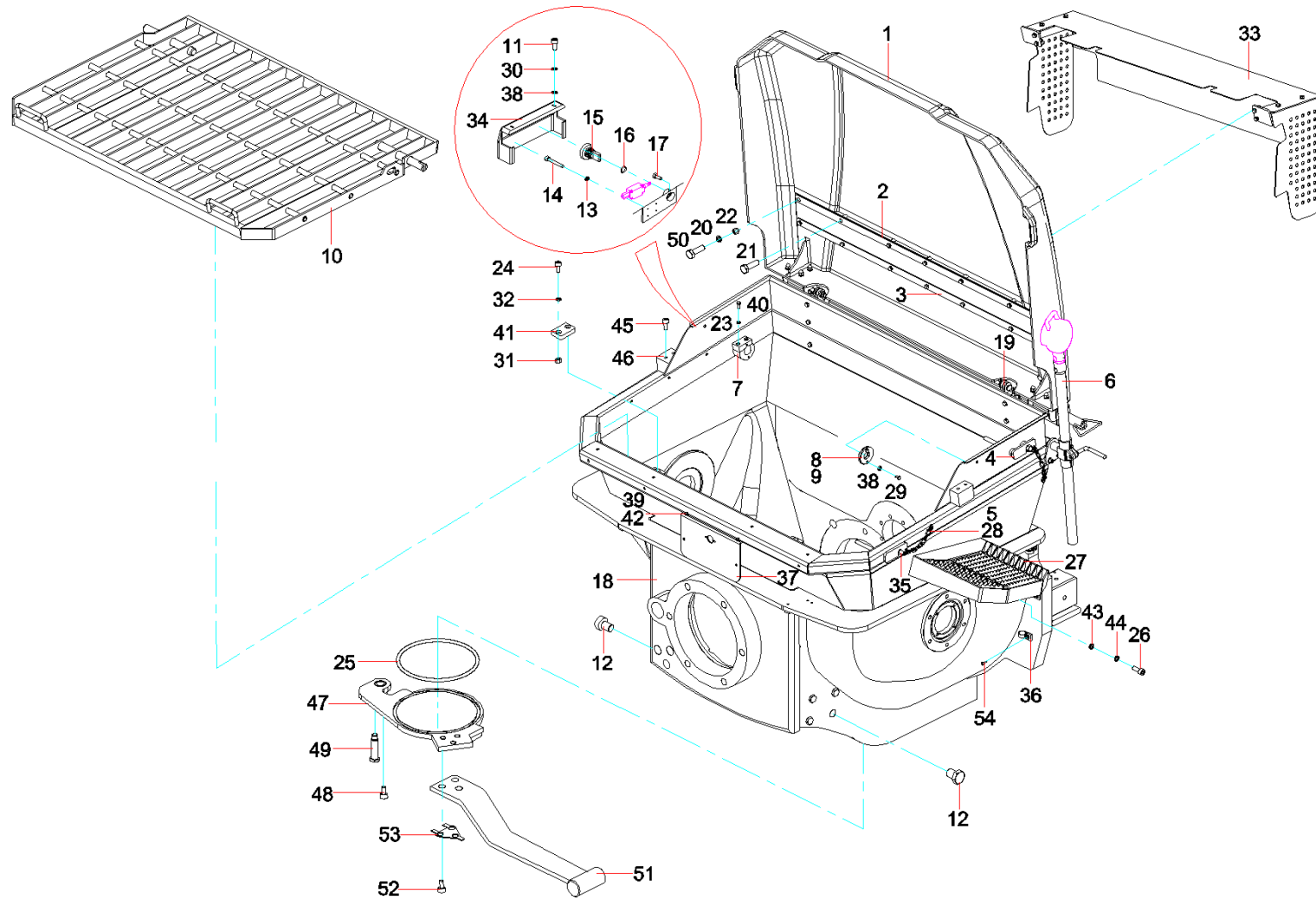
Item No.	Part No.	Description	Qty.	Remark
1	A820201000672	Cover, end, ball head	1	
2	A820601990011	Ring, retainer	1	
3	A210609000087	O-ring	2	
4	B220401000049	Valve, one-way	1	
5	A210342000003	Plug, screw	1	
6	A820301012187	Plug, damping	1	
7	A810301060017	Barrel, cylinder	1	
8	A210204000203	Screw	4	
9	A210401000004	Washer	4	
10	B230101000115	Ring, guide	2	
11	A880806030140	CUT-ring, seal	1	
12	10451273	Rod, piston	1	
13	A820202000120	Sleeve, guide	1	
14	B230101000084	Seal, BS-ring	1	
15	60044252	MCS-ring, dustproof	1	
16	A210417000103	Ring, retainer	1	
17	A820202000121	Clip, inner	1	
18	A820202000122	Bush	1	
19	A210414000103	Ring, retaining	1	
20	60124154	Seal, K08-D-ring	1	
21	60156549	O-ring	1	



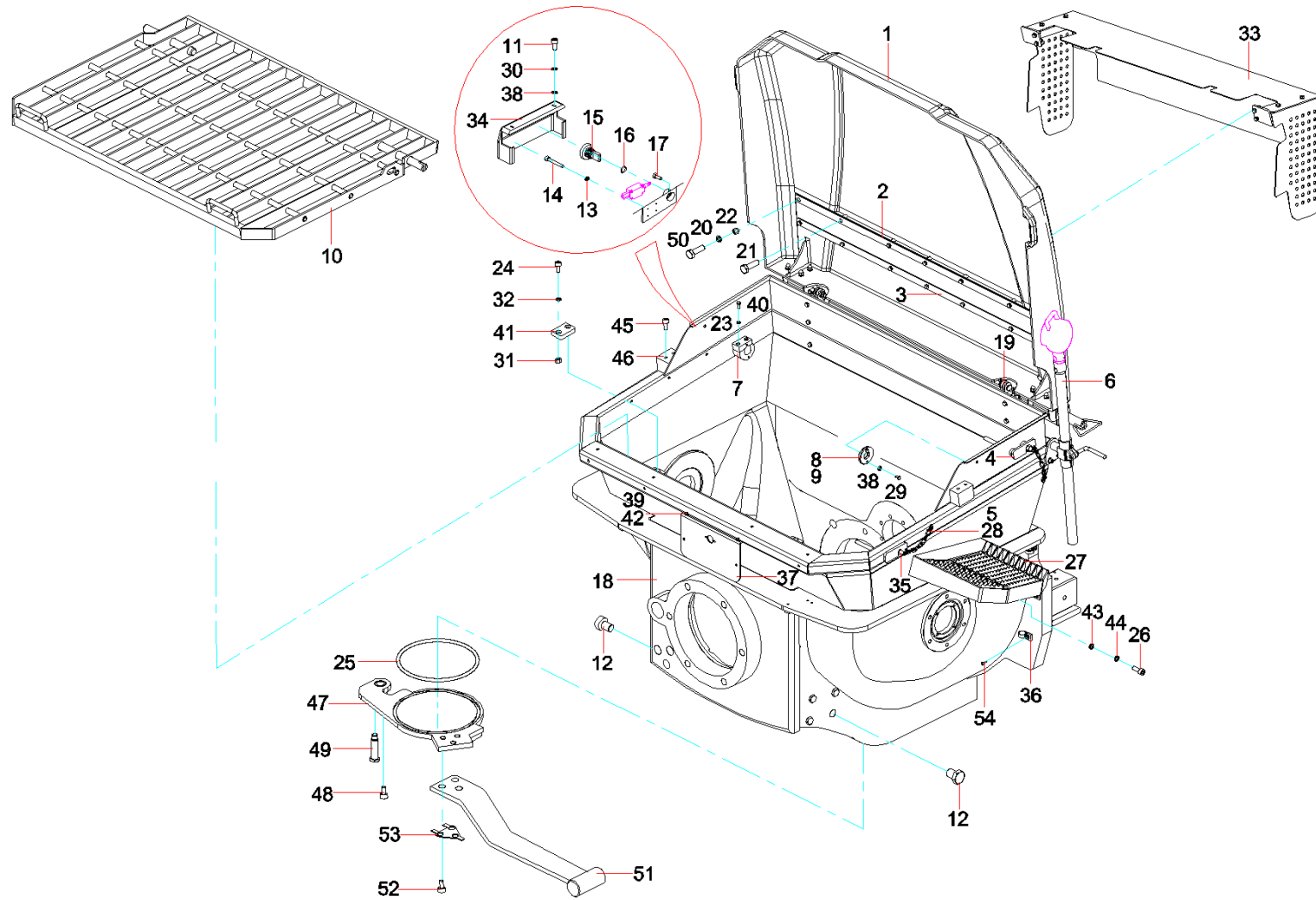
Item No.	Part No.	Description	Qty.	Remark
1	A820201000673	Cover, end, ball head	1	
2	A820601990011	Ring, retainer	1	
3	A210609000087	O-ring	2	
4	B220401000049	Valve, one-way	1	
5	A210342000003	Plug, screw	1	
6	A820301012187	Plug, damping	1	
7	A810301060017	Barrel, cylinder	1	
8	A210204000203	Screw	4	
9	A210401000004	Washer	4	
10	B230101000115	Ring, guide	2	
11	A880806030140	CUT-ring, seal	1	
12	10451273	Rod, piston	1	
13	A820202000120	Sleeve, guide	1	
14	B230101000084	Seal, BS-ring	1	
15	60044252	MCS-ring, dustproof	1	
16	A210417000103	Ring, retainer	1	
17	A820202000121	Clip, inner	1	
18	A820202000122	Bush	1	
19	A210414000103	Ring, retaining	1	
20	60124154	Seal, K08-D-ring	1	
21	60156549	O-ring	1	



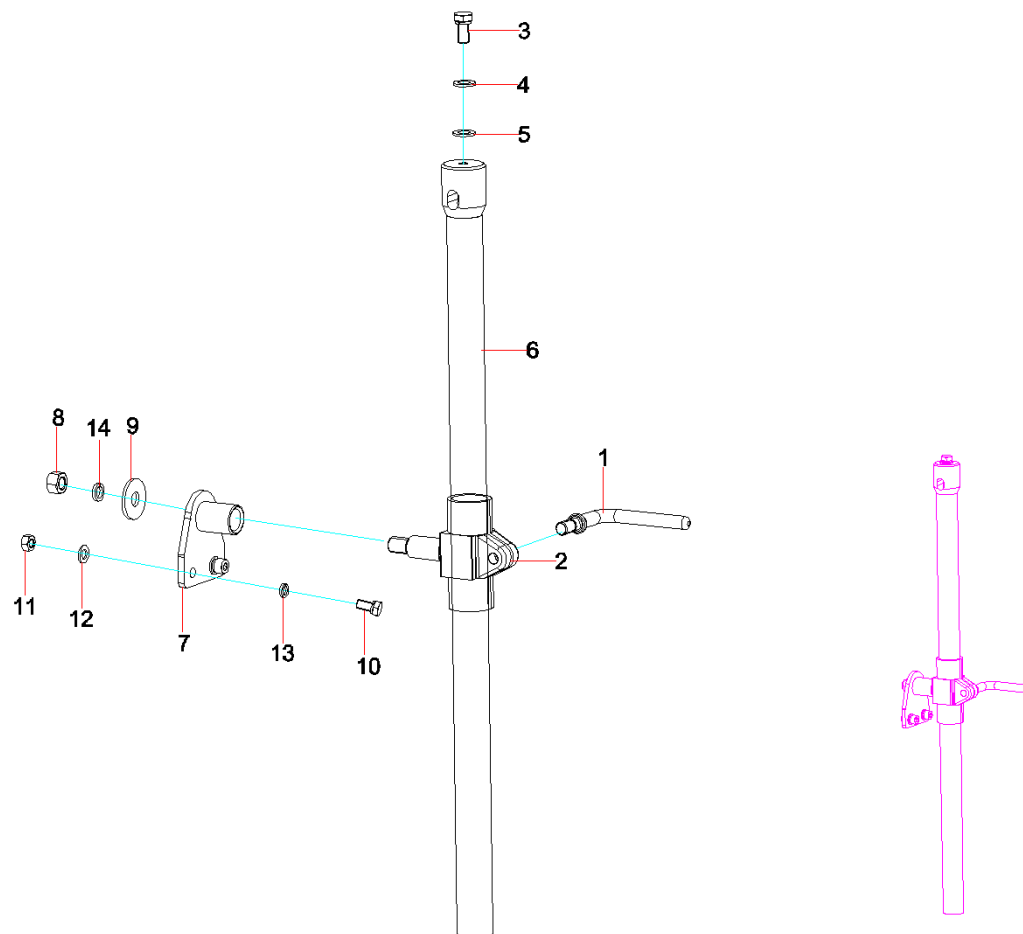
Item No.	Part No.	Description	Qty.	Remark
1	11426177	Plate, cover, hopper	1	
2	11435287	Plate, rubber	1	
3	11435258	Plate, pressure	2	
4	A810301029031	Gauge, snap, grille	2	
5	A229900000176	Ring, key	4	
6	10842799	Lamp, working	1	
7	11433407	Cover, shaft	2	
8	11433422	Ring, dustproof	1	
9	11433426	Gland	1	
10	12070302	Grille	1	
11	A210111000078	Bolt	2	
12	A210111000100	Bolt	8	
13	A210401000015	Washer	5	
14	A210204000122	Screw	4	
15	11159351	Cambolt	1	
16	A210609000268	O-ring	1	
17	A210204000247	Screw	1	
18	12371175	Weldment, hopper	1	
19	11694996	Articulated mechanism	1	
20	A210404000005	Washer	4	
21	A210111000088	Bolt	6	
22	A210302000007	Nut	4	



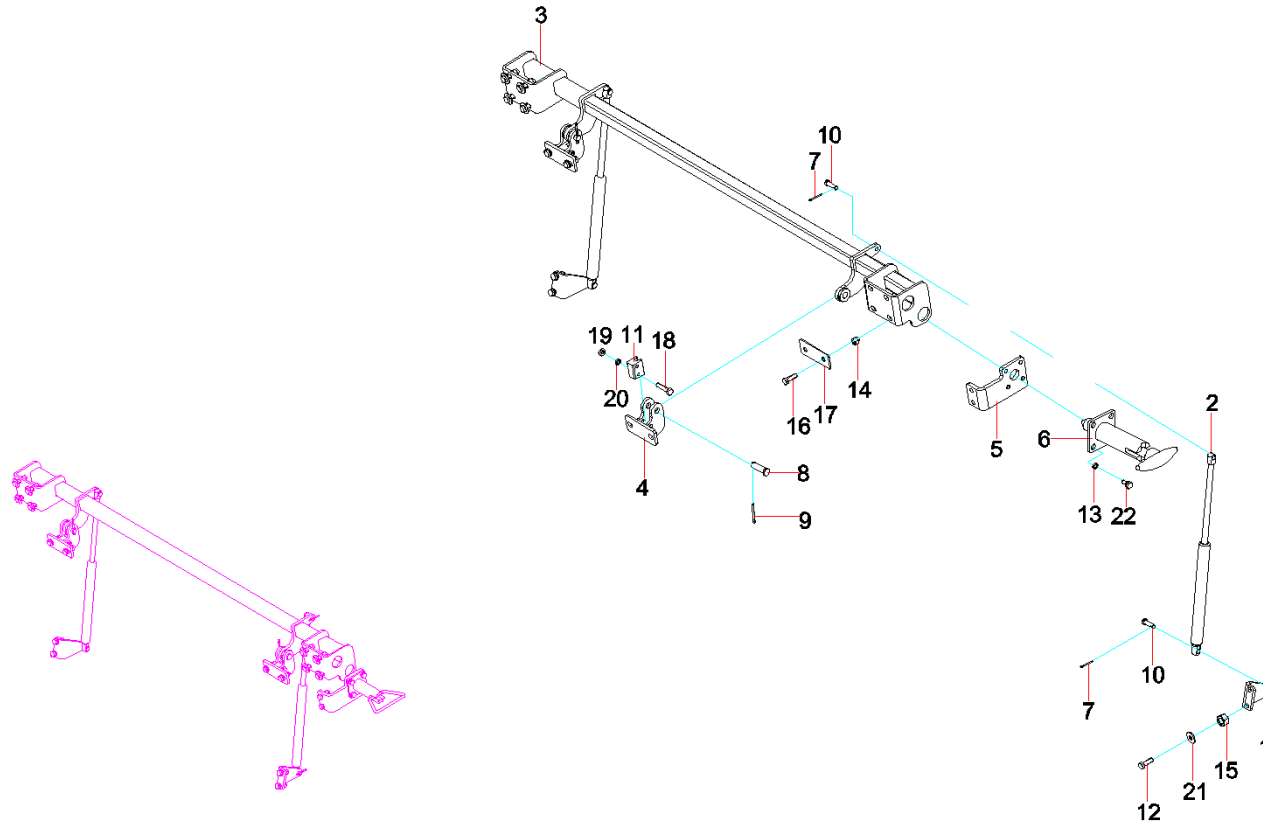
Item No.	Part No.	Description	Qty.	Remark
23	A210401000017	Washer	15	
24	A210111000090	Bolt	4	
25	A820606020001	O-ring, seal	1	
26	A210204000020	Screw	4	
27	12166102	Footplate, hopper	1	
28	10900187	Chain	2	
29	A210111000080	Bolt	2	
30	A210401000016	Washer	4	
31	A210307000012	Nut	4	
32	A210405000007	Washer	4	
33	12768387	Helmet, swing valve	1	
34	12212087	Cover, protective, blocking lock	1	
35	A210319000006	Nut	2	
36	A229900004092	Clamp, fastening	8	
37	A820101358729	Board, license	1	
38	A210405000006	Washer	6	
39	A210307000016	Nut	2	
40	A210111000092	Bolt	4	
41	11440784	Block, buffer, grille	2	
42	A210111000079	Bolt	2	
43	A210401000002	Washer	4	
44	A210405000001	Washer	4	



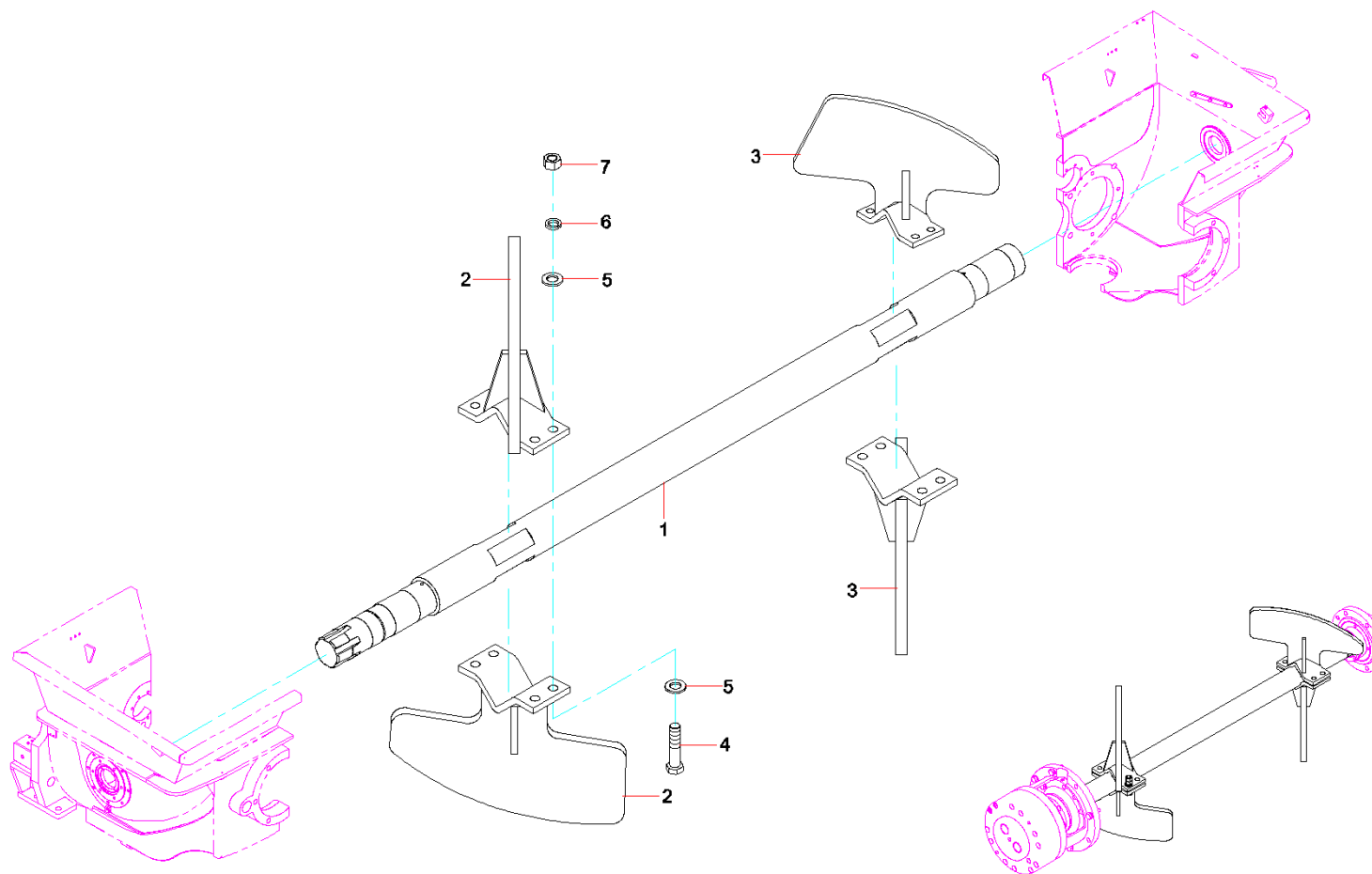
Item No.	Part No.	Description	Qty.	Remark
45	A210204000135	Screw	4	
46	11694751	Block, limit, buffering, cover plate	2	
47	11912632	Plate, gate, hopper	1	
48	A210204000146	Screw	1	
49	A820301010061	Shaft, small	1	
50	A210111000089	Bolt	4	
51	12448525	Weldment, handle, spanner	1	
52	A210111000212	Bolt	3	
53	12092817	Washer, stop	1	
54	A210210000015	Screw	8	



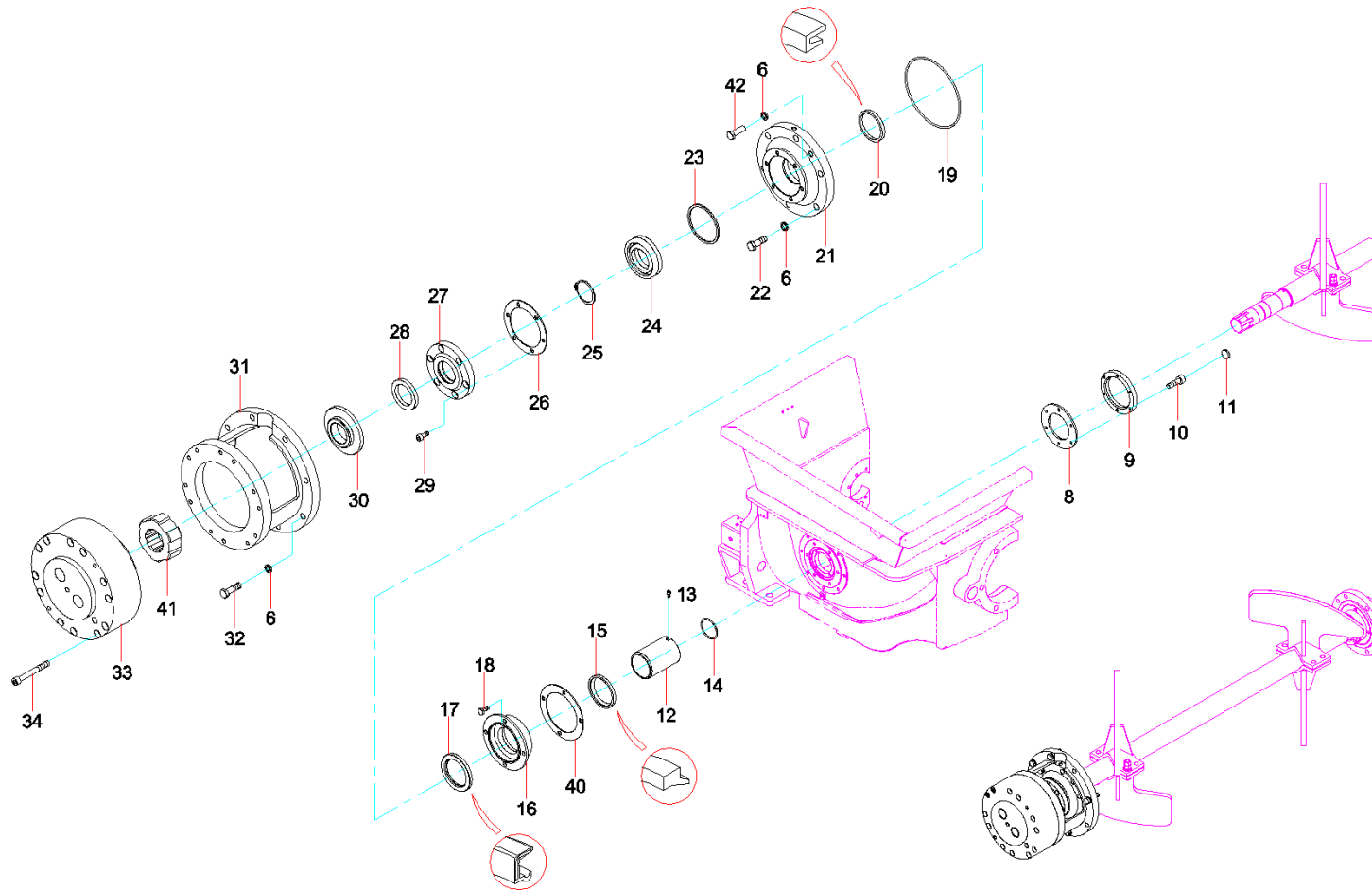
Item No.	Part No.	Description	Qty.	Remark
1	A820301014260	Handle	1	
2	A810401100841	Bracket, lamp, hopper	1	
3	A210111000011	Bolt	1	
4	A210401000001	Washer	1	
5	A210405000011	Washer	1	
6	A810201052514	Lever, lamp	1	
7	A810201059057	Seat, lamp	1	
8	A210307000001	Nut	1	
9	A210404000004	Washer	1	
10	A210111000090	Bolt	2	
11	A210307000012	Nut	2	
12	A210401000017	Washer	2	
13	A210405000007	Washer	2	
14	A210401000002	Washer	1	



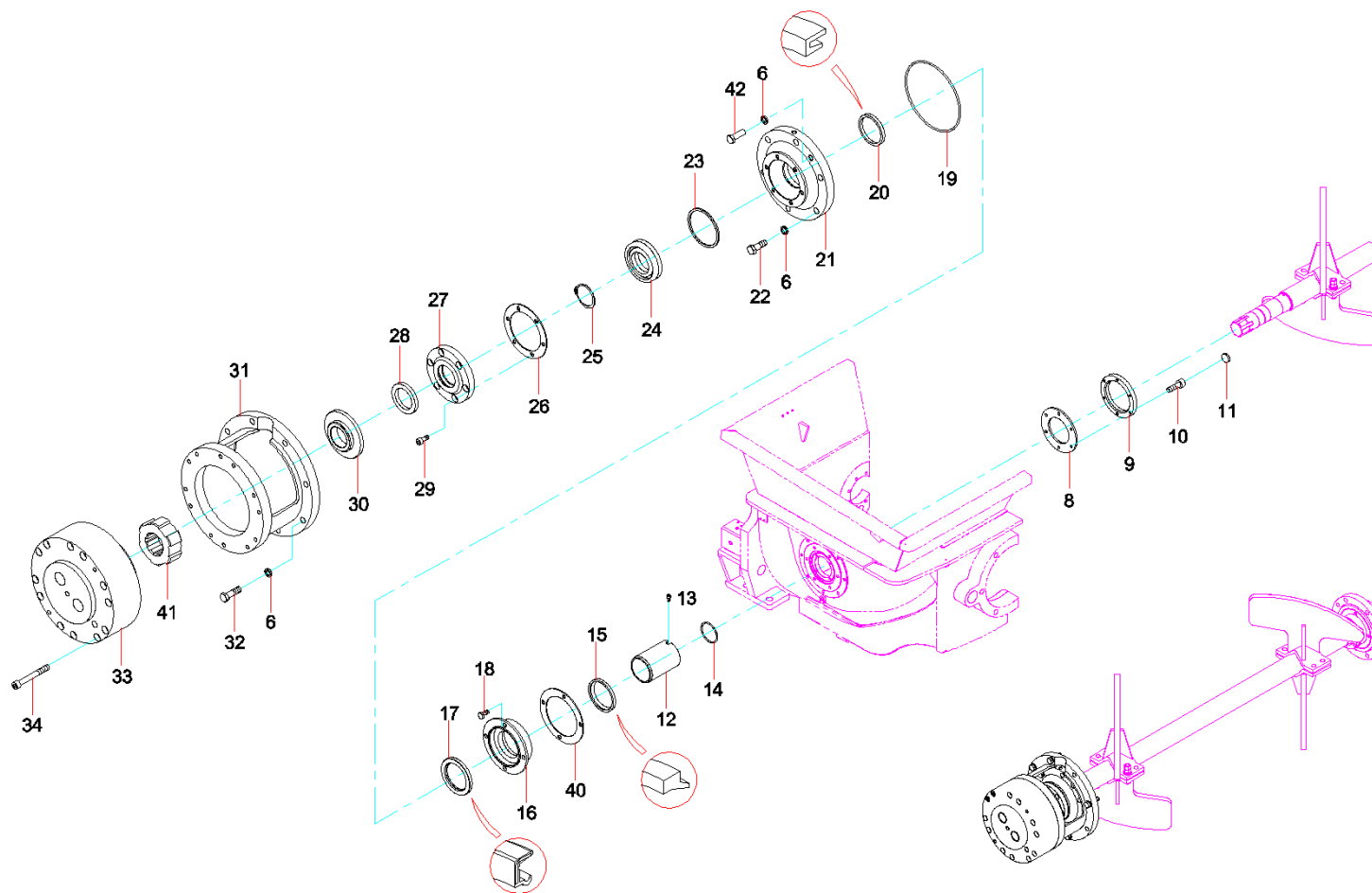
Item No.	Part No.	Description	Qty.	Remark
1	11694992	Seat, hinge	2	
2	60070473	Spring, air	2	
3	11695002	Weldment, hinged rod GP	1	
4	11695005	Seat, hinge	2	
5	11695006	Plate, bent, lock seat, hopper cover	1	
6	60148827	Lock, limit	1	
7	A210491000008	Pin	4	
8	11694993	Pin, hinge	2	
9	A210491000031	Pin	2	
10	11694995	Pin, air spring	4	
11	11694994	Block, buffer, hinge	2	
12	A210111000090	Bolt	10	
13	A210401000017	Washer	22	
14	A210302000007	Nut	14	
15	A210307000012	Nut	4	
16	A210111000091	Bolt	8	
17	12547440	Gasket	4	
18	A210111000084	Bolt	4	
19	A210307000016	Nut	4	
20	A210401000016	Washer	4	
21	A210405000007	Washer	16	
22	A210111000088	Bolt	4	



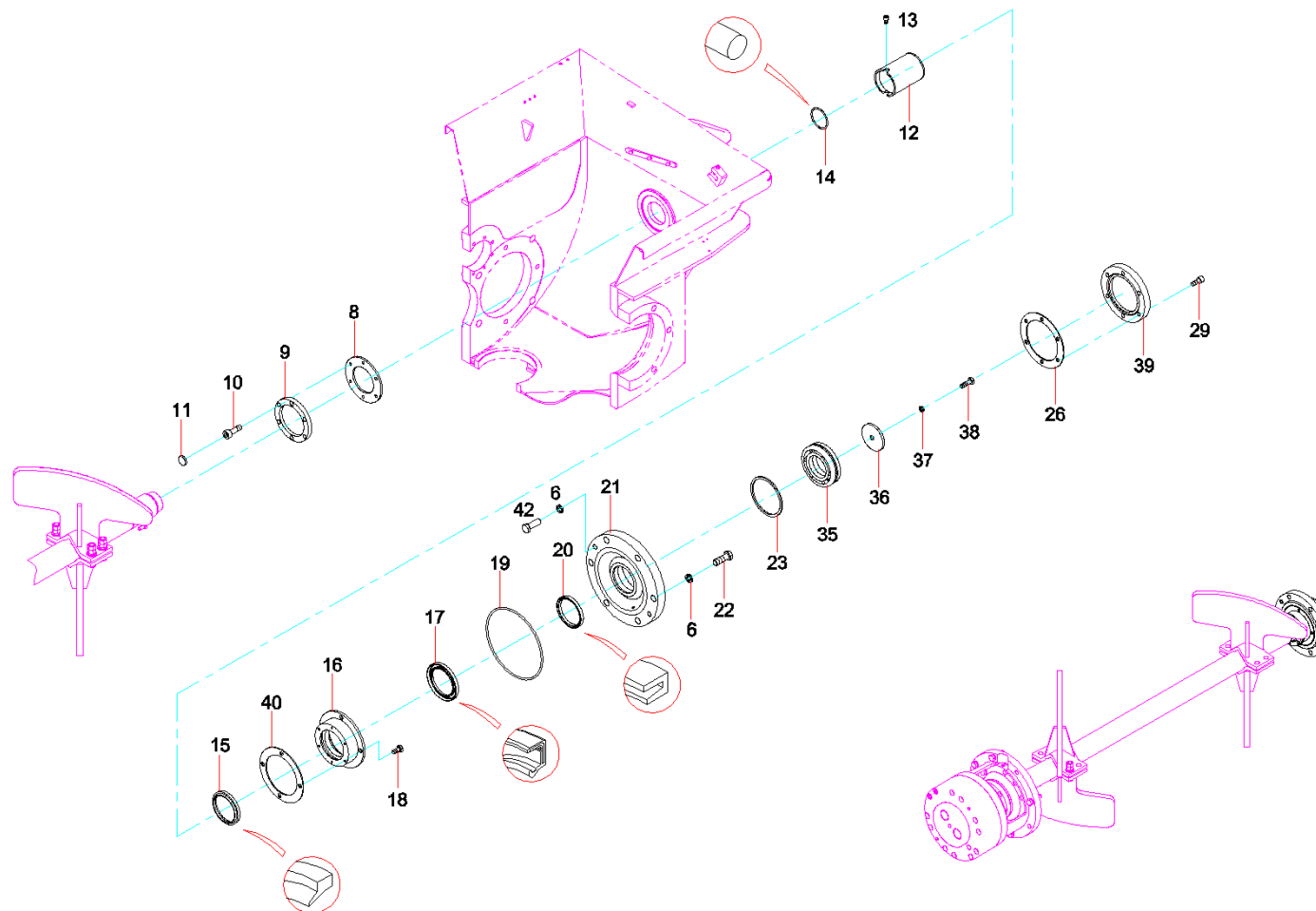
Item No.	Part No.	Description	Qty.	Remark
1	A820301020694	Shaft, mixer	1	
2	10981093	Paddle, mixing, left	2	
3	10981094	Paddle, mixing, right	2	
4	A210111000118	Bolt	8	
5	A210405000001	Washer	16	
6	A210401000002	Washer	32	
7	A210307000031	Nut	16	



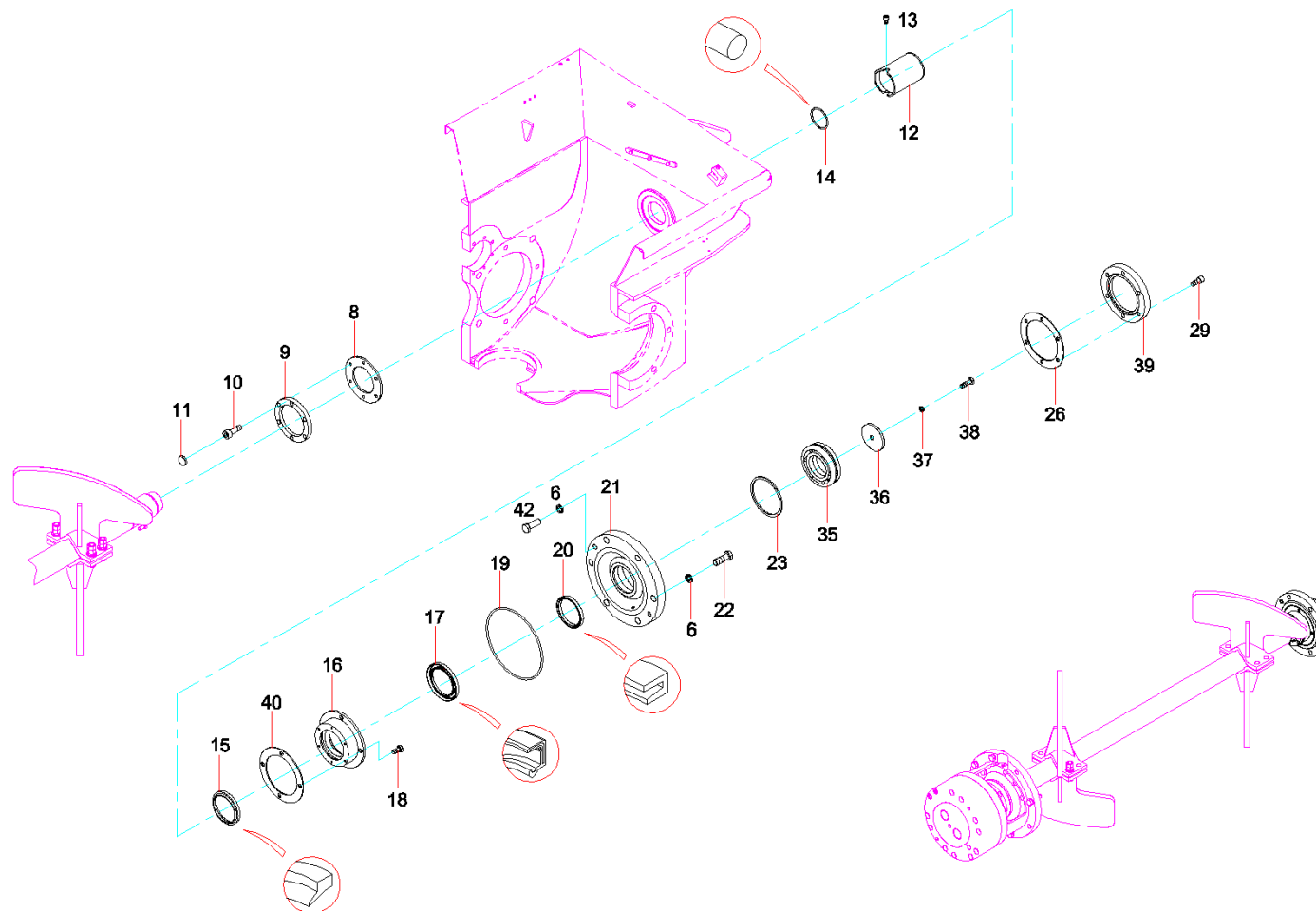
Item No.	Part No.	Description	Qty.	Remark
6	A210401000002	Washer	32	
8	10911841	Ring, retainer, seal	2	
9	A820201000242	Ring, pressure	2	
10	A210204000115	Screw	12	
11	A820606010164	Plug, rubber	12	
12	A820202000079	Sleeve, shaft	2	
13	A210204000152	Screw	4	
14	A210609000150	O-ring	2	
15	A230101000007	Ring, dustproof, J-type	2	
16	A820203000031	Cover, seal	2	
17	A230101000034	Ring, seal	2	
18	A210111000088	Bolt	8	
19	A210609000013	O-ring	2	
20	A230101000016	Ring, seal	2	
21	A820203000040	Seat, bearing	2	
22	A210111000039	Bolt	12	
23	A820202002331	Ring, base	2	
24	A210601006210	Bearing, roller	1	
25	A210419000003	Ring, retainer	1	
26	A820606020004	Pad, seal	2	
27	A820203000030	Cover, end, seal	1	
28	A820608000017	Ring, felt	1	



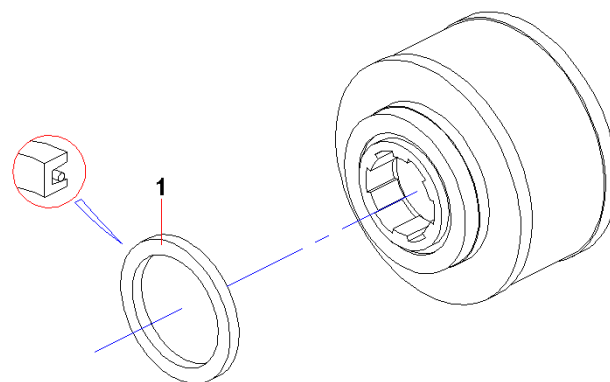
Item No.	Part No.	Description	Qty.	Remark
29	A210204000147	Screw	12	
30	11266830	Disc, waterproof	1	
31	A810301050013	Seat, motor	1	
32	A210111000040	Bolt	8	
33	A220501000080	Motor, plunger	1	
34	A210204000017	Screw	12	
40	A820606020008	Pad, seal	2	
41	A820202000027	Housing, spline	1	
42	A210111000036	Bolt	4	



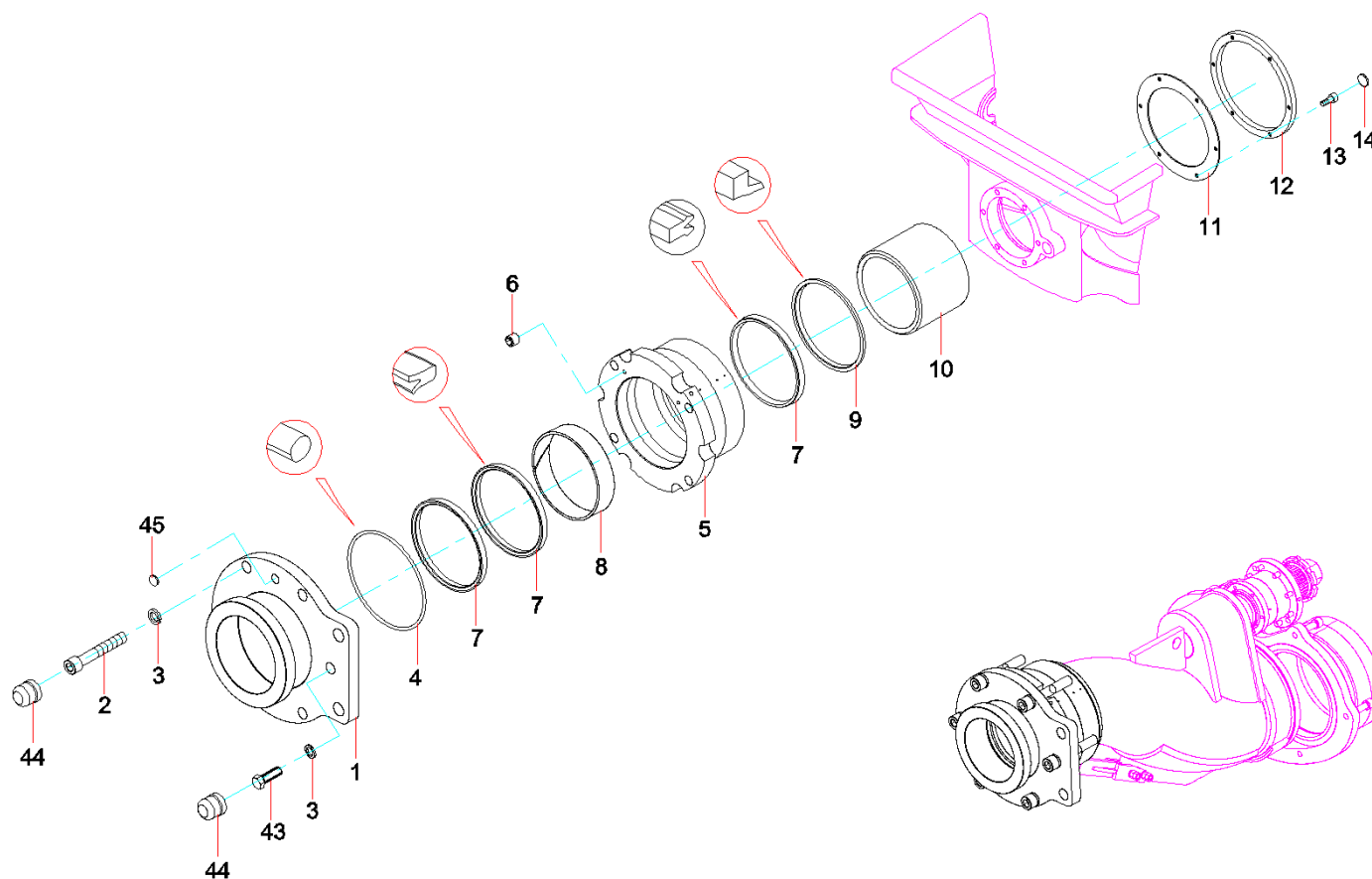
Item No.	Part No.	Description	Qty.	Remark
6	A210401000002	Washer	32	
8	10911841	Ring, retainer, seal	2	
9	A820201000242	Ring, pressure	2	
10	A210204000115	Screw	12	
11	A820606010164	Plug, rubber	12	
12	A820202000079	Sleeve, shaft	2	
13	A210204000152	Screw	4	
14	A210609000150	O-ring	2	
15	A230101000007	Ring, dustproof, J-type	2	
16	A820203000031	Cover, seal	2	
17	A230101000034	Ring, seal	2	
18	A210111000088	Bolt	8	
19	A210609000013	O-ring	2	
20	A230101000016	Ring, seal	2	
21	A820203000040	Seat, bearing	2	
22	A210111000039	Bolt	12	
23	A820202002331	Ring, base	2	
26	A820606020004	Pad, seal	2	
29	A210204000147	Screw	12	
35	A210602002210	Bearing, roller	1	
36	A820103010034	Pressure plate, bolt end	1	
37	A210401000017	Washer	1	



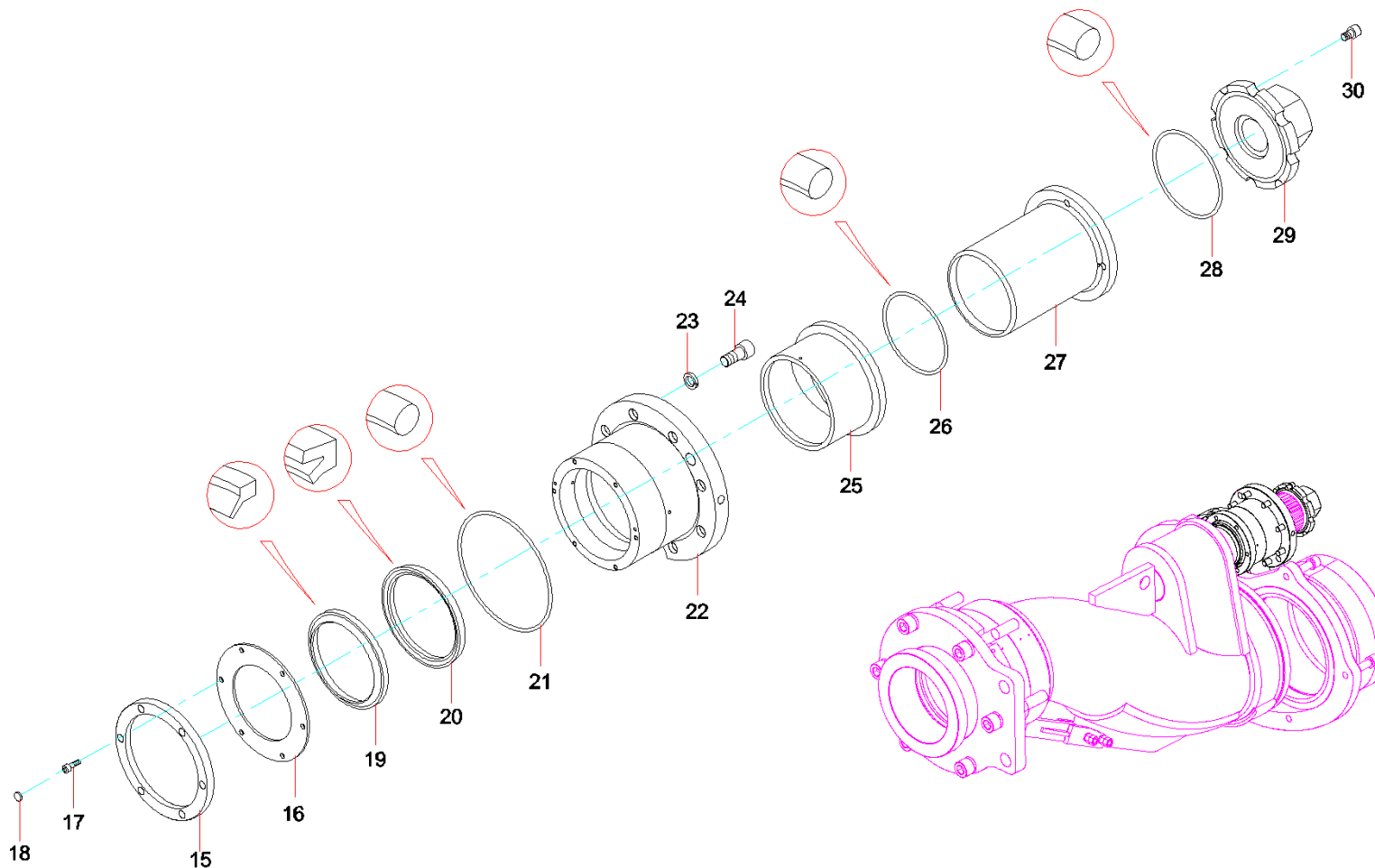
Item No.	Part No.	Description	Qty.	Remark
38	A210111000090	Bolt	1	
39	A820201000004	Cover, end	1	
40	A820606020008	Pad, seal	2	
42	A210111000036	Bolt	4	



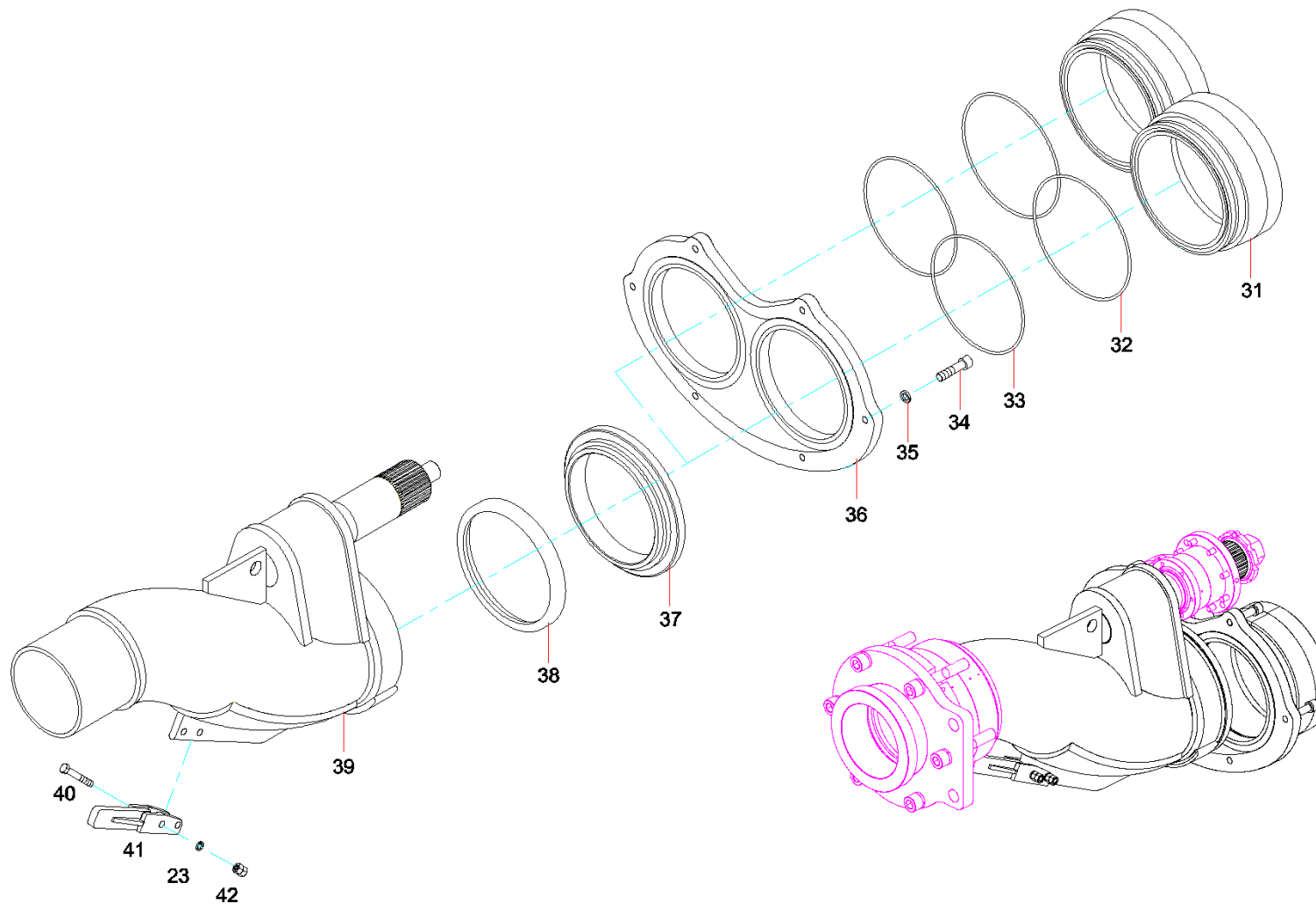
Item No.	Part No.	Description	Qty.	Remark
1	B230101000460	Seal, oil, TRE	1	



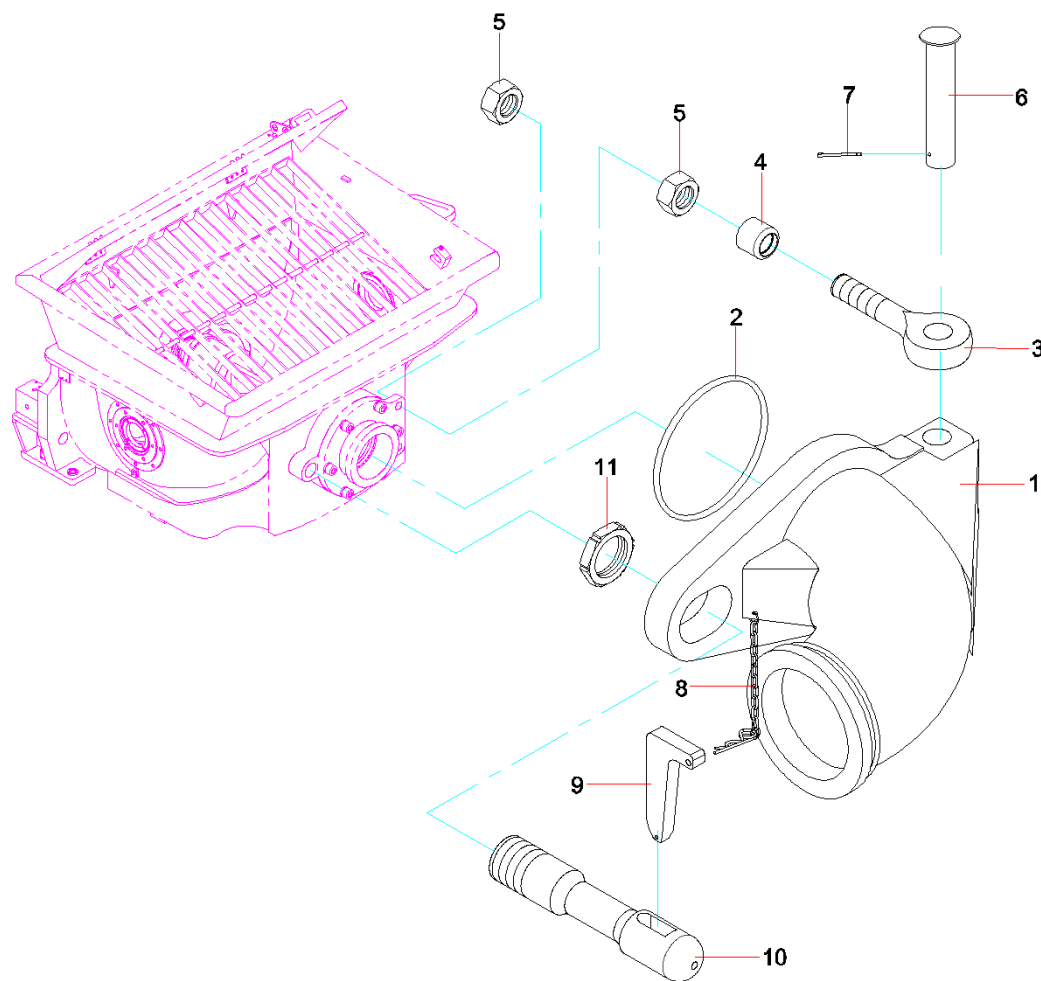
Item No.	Part No.	Description	Qty.	Remark
1	11339738	Outlet, material, compound	1	
2	A210204000084	Screw	4	
3	A210401000008	Washer	6	
4	A210609000149	O-ring	1	
5	A820403000033	Seat, bearing	1	
6	A210342000002	Plug, screw	4	
7	A230101000038	YX-ring, seal	3	
8	A820601040004	Bearing, nylon	1	
9	A820601991028	Ring, dustproof, J-type	1	
10	10527502	Sleeve, wearing	1	
11	A820606020006	Pad, rubber	1	
12	A820101019303	Plate, pressure	1	
13	A210204000147	Screw	6	
14	A820606010160	Plug, rubber	6	
43	A820301018553	Screw	2	
44	11747826	Sleeve, protective, rubber	6	
45	11747828	Plug, screw, rubber	2	



Item No.	Part No.	Description	Qty.	Remark
15	A820203003054	Ring, pressure	1	
16	A820606020007	Pad, rubber	1	
17	A210204000116	Screw	6	
18	A820606010164	Plug, rubber	6	
19	B230101000053	Ring, dustproof	1	
20	B230101000094	C1-ring, seal	1	
21	A210608000320	O-ring	1	
22	A820403000031	Seat, bearing	1	
23	A210401000002	Washer	10	
24	A210204000020	Screw	8	
25	A820404000006	Bearing	1	
26	A210609000084	O-ring	1	
27	A819800000580	Shaft sleeve AS	1	
28	A210609000088	O-ring	1	
29	A820204000031	Nut, abnormality	1	
30	A210204000145	Screw	1	



Item No.	Part No.	Description	Qty.	Remark
23	A210401000002	Washer	10	
31	11613967	Sleeve, transitional, composite	2	
32	A210609000219	O-ring	2	
33	A210609000328	O-ring	2	
34	A210204000166	Screw	6	
35	A210401000004	Washer	6	
36	12063488	Plate, wear, spectacle	1	
37	12064567	Ring, wear	1	
38	A820606030542	Spring, rubber	1	
39	A810301032055	S-pipe GP	1	
40	A210110000180	Bolt	2	
41	A810301032044	Scraper AS	1	
42	A210307000031	Nut	4	

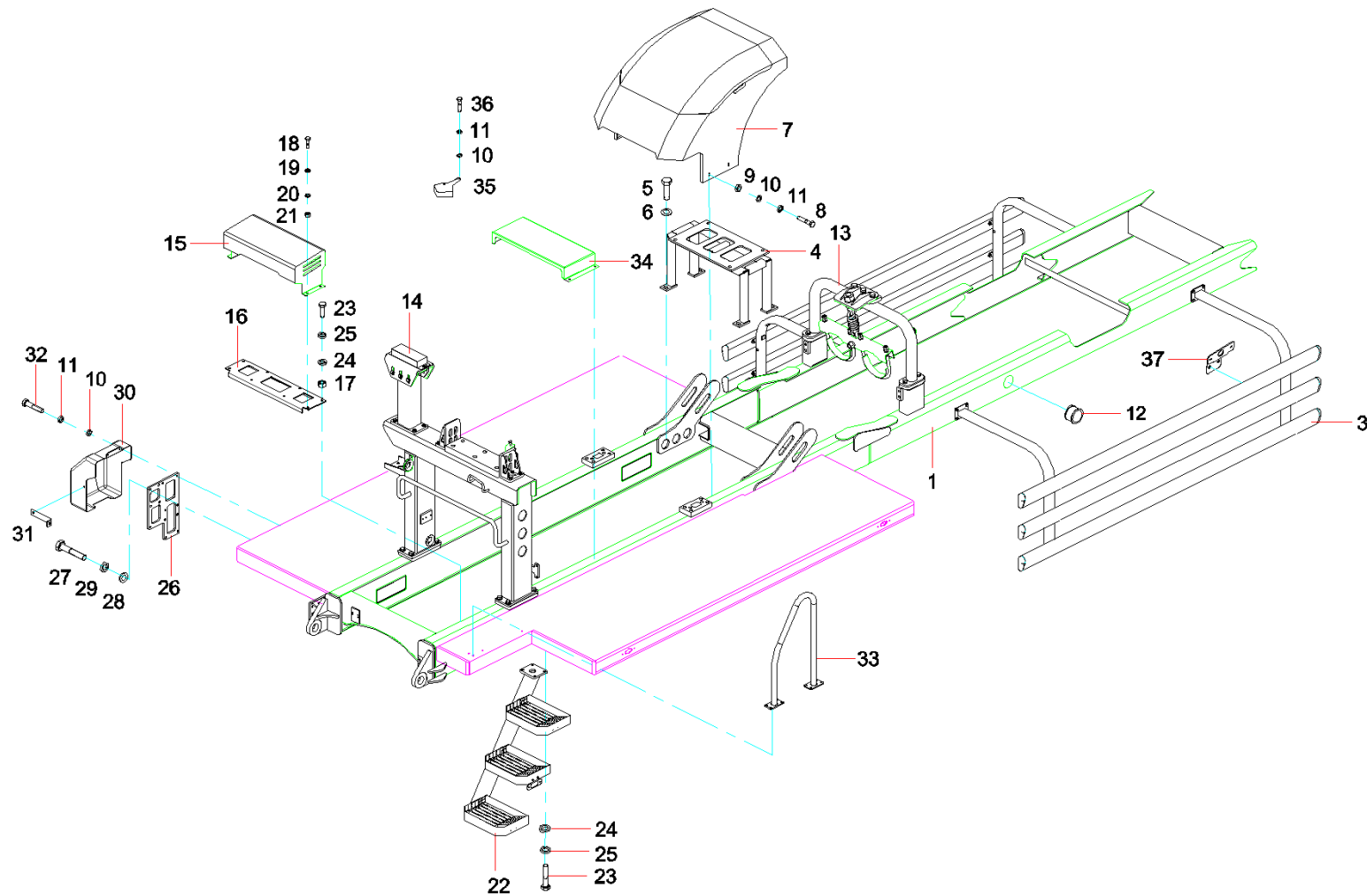


Item No.	Part No.	Description	Qty.	Remark
1	11206200	Elbow, hinged	1	
2	A210608000315	O-ring	1	
3	A820301020423	Bolt, supporting	2	
4	A820606010376	Sleeve, protective	2	
5	A210310000002	Nut	4	
6	A820301020421	Shaft, pin	1	
7	A210491000018	Pin	1	
8	A810301010476	Cross pin AS	1	
9	A820101031798	Plate, plug	1	
10	A820301020422	Stud, pin, cross	1	
11	A820204000343	Locknut	1	

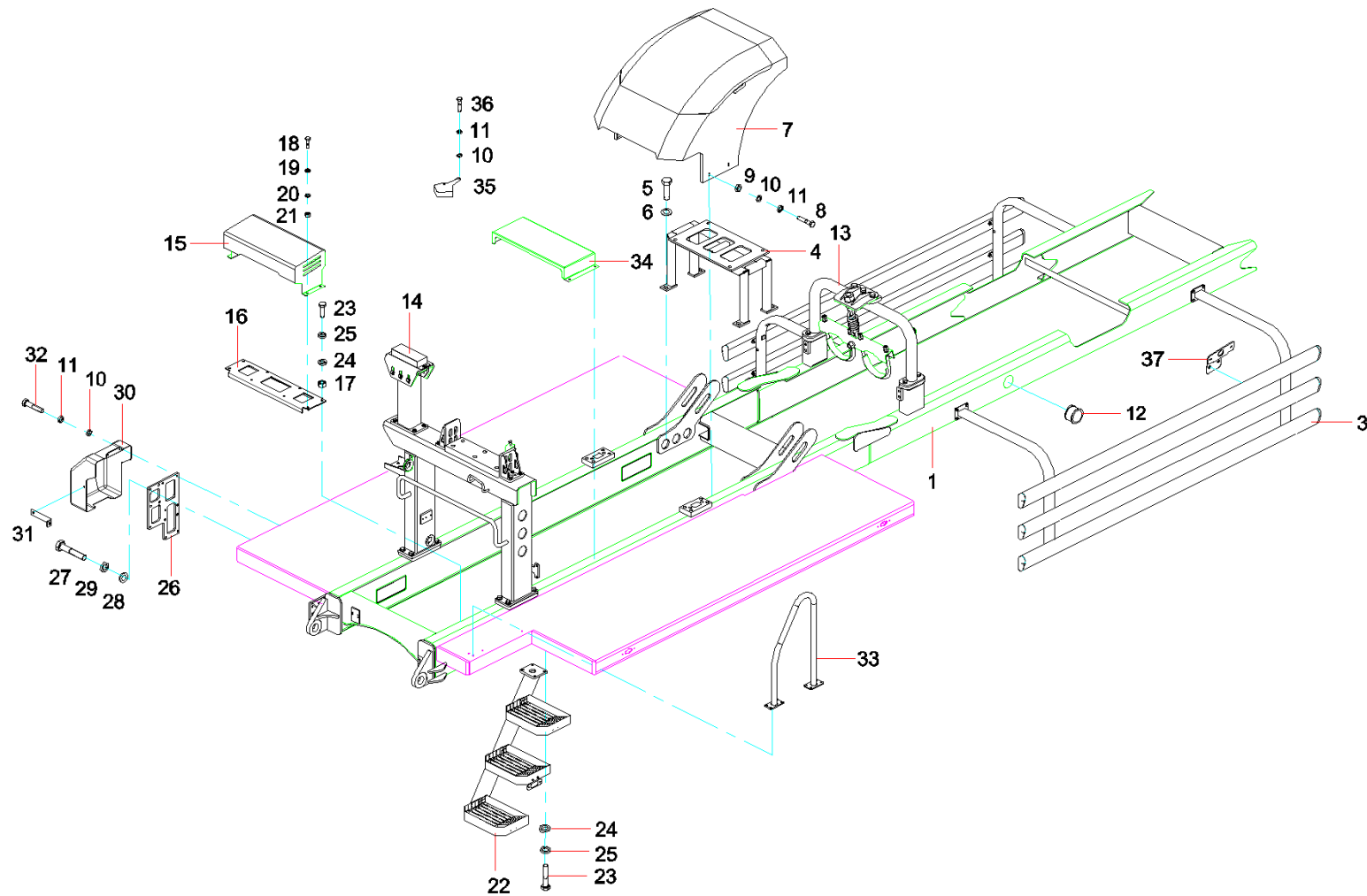


Group 5

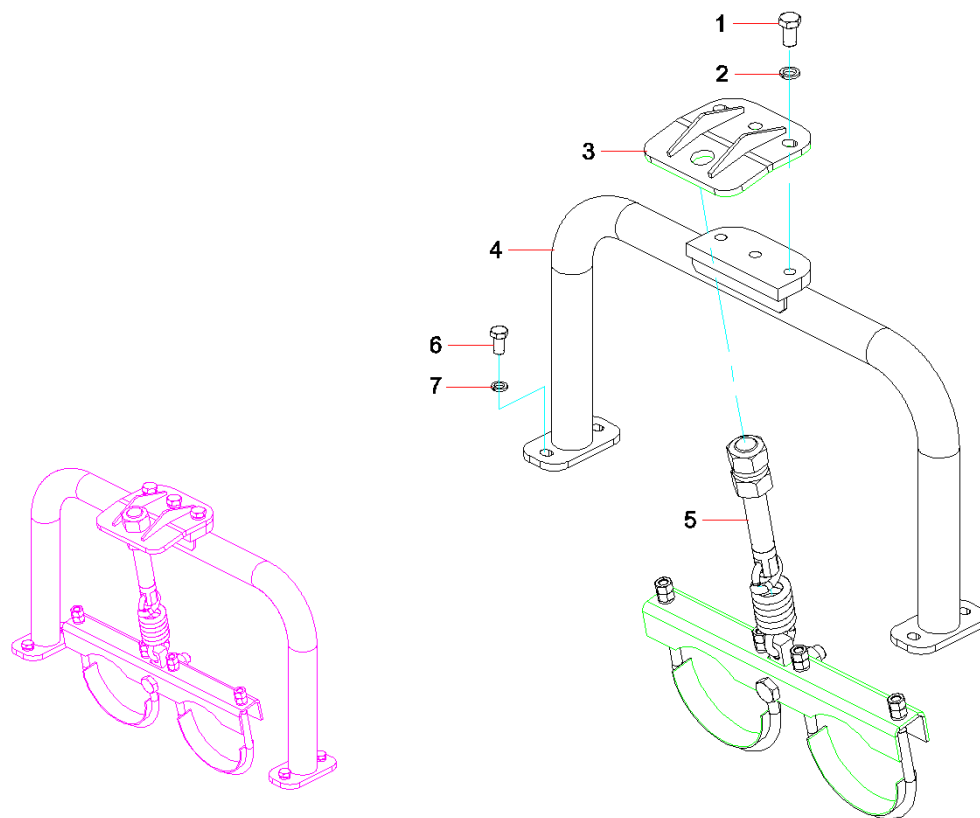
Base structure GP



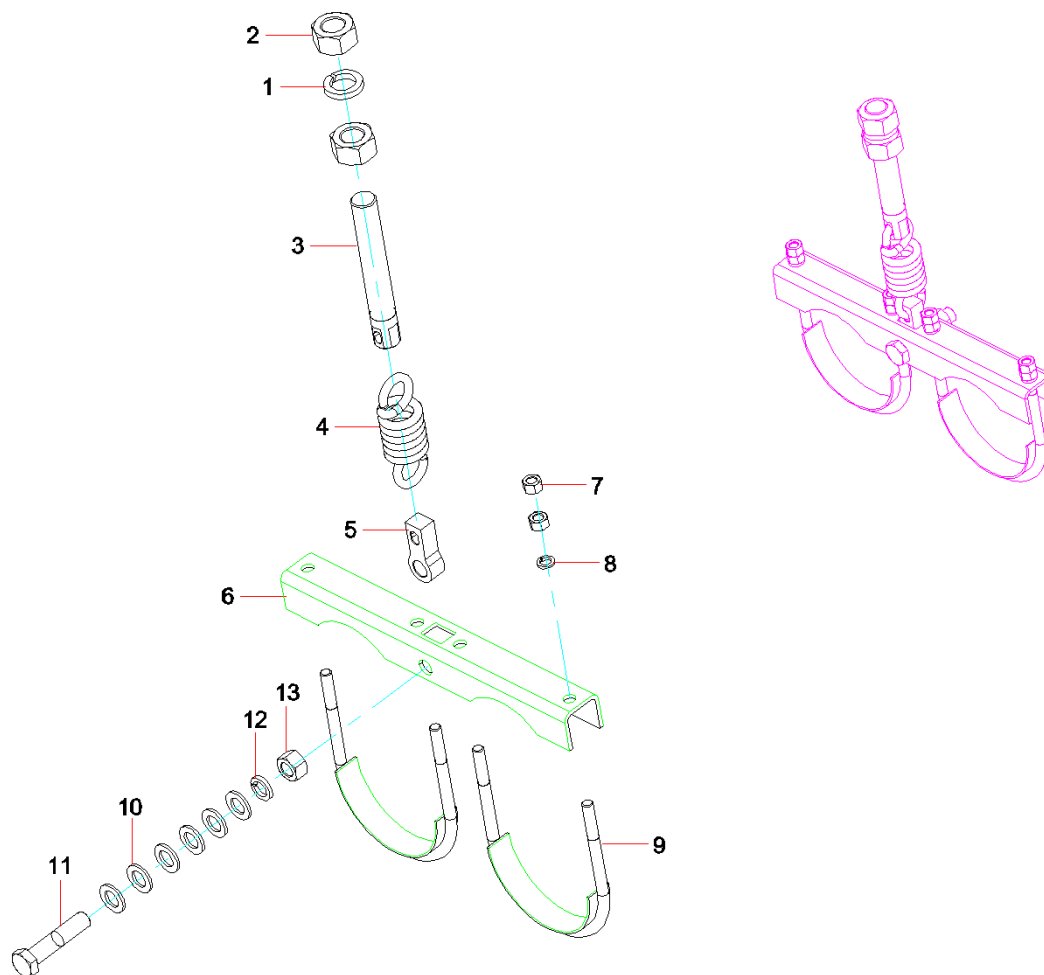
Item No.	Part No.	Description	Qty.	Remark
1	12751760	Auxiliary beamB	1	
3	A810502020239	Mounting, guardrail	1	
4	12752948	Seat, main valve block	1	
5	A210111000263	Bolt	4	
6	A210405000003	Washer	4	
7	11462205	Cover, protective, main valve	1	
8	A210111000090	Bolt	4	
9	A210307000012	Nut	16	
10	A210404000005	Washer	13	
11	A210401000017	Washer	22	
12	A820606011294	Sleeve, protective	2	
13	12826365	Support, oil cylinder, main	1	
14	12745055	Support, main	1	
15	12386426	Cover, protective, valve, swing cylinder	1	
16	12826760	Weldment, mounting plate	1	
17	A210307000001	Nut	4	
18	A210111000081	Bolt	4	
19	A210401000016	Washer	4	
20	A210404000009	Washer	4	
21	A210307000016	Nut	4	
22	11922331	Ladder, right	1	
23	A210111000040	Bolt	8	



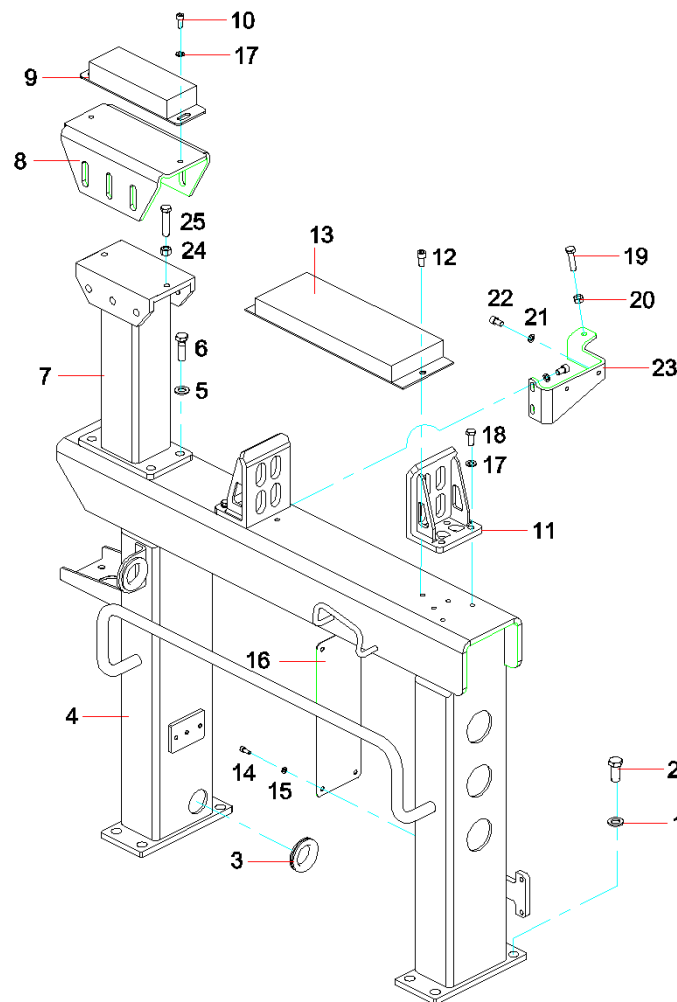
Item No.	Part No.	Description	Qty.	Remark
24	A210405000001	Washer	8	
25	A210401000002	Washer	8	
26	11460273	Plate, mounting, auxiliary valve	1	
27	A210111000023	Bolt	8	
28	A210405000011	Washer	8	
29	A210401000001	Washer	8	
30	12254917	Auxiliary valve protective cover AS	1	
31	12254789	Plate, connection	1	
32	A210111000088	Bolt	8	
33	10275818	Ladder	1	
34	12570629	Cover, protective	1	
35	A810502019084	Cover, switch valve, air cooler	1	
36	21005170	Bolt	10	
37	A820101362335	Seat, width lamp	2	



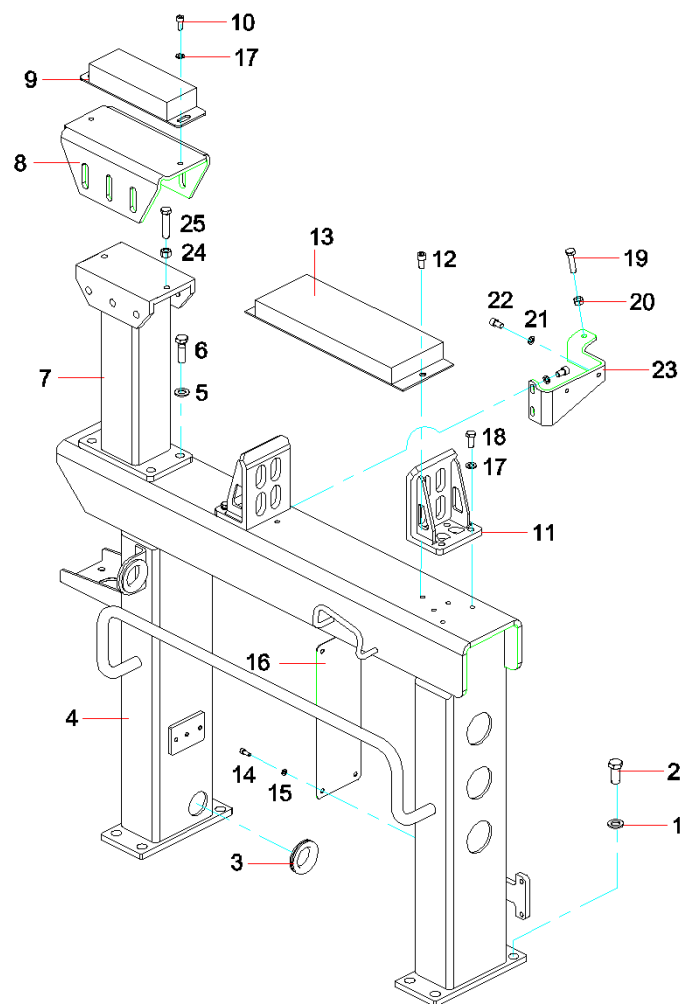
Item No.	Part No.	Description	Qty.	Remark
1	A210401000006	Washer	3	
2	24003229	Bolt	3	
3	11471911	Plate AS, hanging	1	
4	12819713	Supporting pipe GP	1	
5	12826366	Hanger, oil cylinder, main	1	
6	A210111000263	Bolt	4	
7	A210401000004	Washer	4	



Item No.	Part No.	Description	Qty.	Remark
1	A210401000012	Washer	1	
2	A210307000010	Nut	2	
3	11496063	Davit	1	
4	11335769	Spring	1	
5	12516032	Rod, tie	1	
6	11335768	Seat, supporting	1	
7	A210307000040	Nut	8	
8	A210401000004	Washer	4	
9	11335774	Clamp	2	
10	A210405000009	Washer	6	
11	A210110000240	Bolt	1	
12	A210401000008	Washer	1	
13	A210307000030	Nut	1	



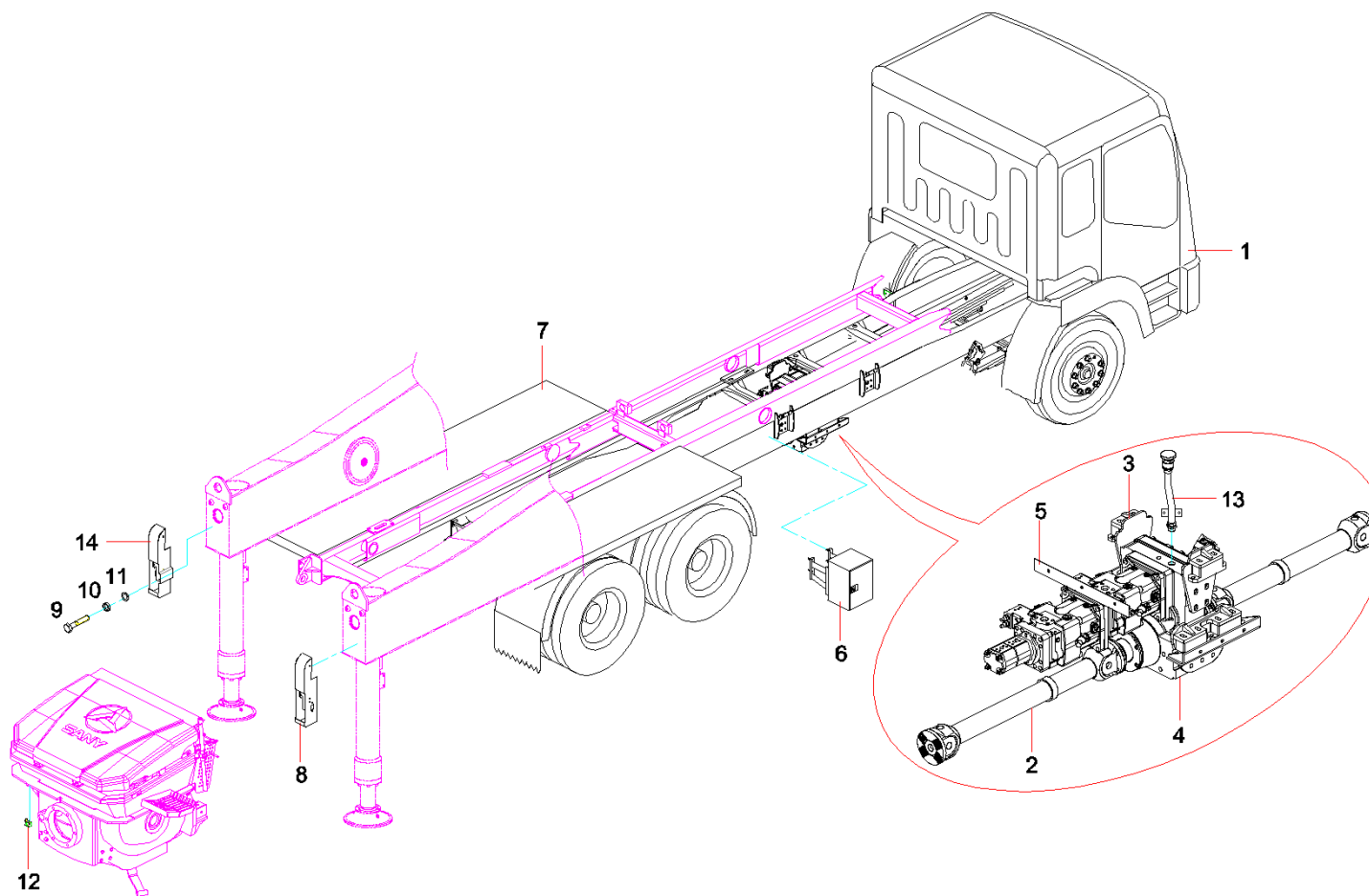
Item No.	Part No.	Description	Qty.	Remark
1	A210405000003	Washer	8	
2	A210111000053	Bolt	8	
3	12351189	Sleeve, protective	3	
4	12739114	Support, main	1	
5	A210405000001	Washer	10	
6	A210111000101	Bolt	10	
7	11822369	Support, boom, 3#	1	
8	10940218	Plate, bent	1	
9	10936353	Pad, buffer	1	
10	A210204000196	Screw	2	
11	11763407	Seat, positioning	2	
12	A210204000181	Screw	6	
13	12642416	Pad, buffer	1	
14	A210204000129	Screw	4	
15	A210405000006	Washer	4	
16	10957681	Plate, cover	1	
17	A210405000011	Washer	16	
18	A210111000197	Bolt	8	
19	A210111000030	Bolt	1	
20	A210307000017	Nut	1	
21	A210405000007	Washer	4	
22	A210204000341	Screw	4	



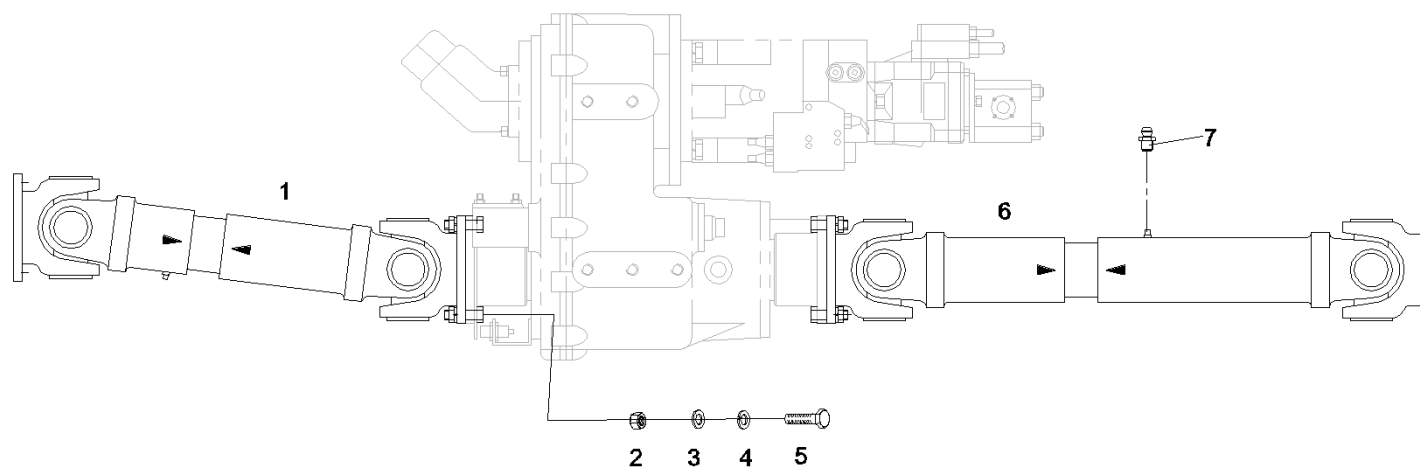
Item No.	Part No.	Description	Qty.	Remark
23	10940217	Support, travel switch	1	
24	A210307000001	Nut	2	
25	A210111000118	Bolt	2	



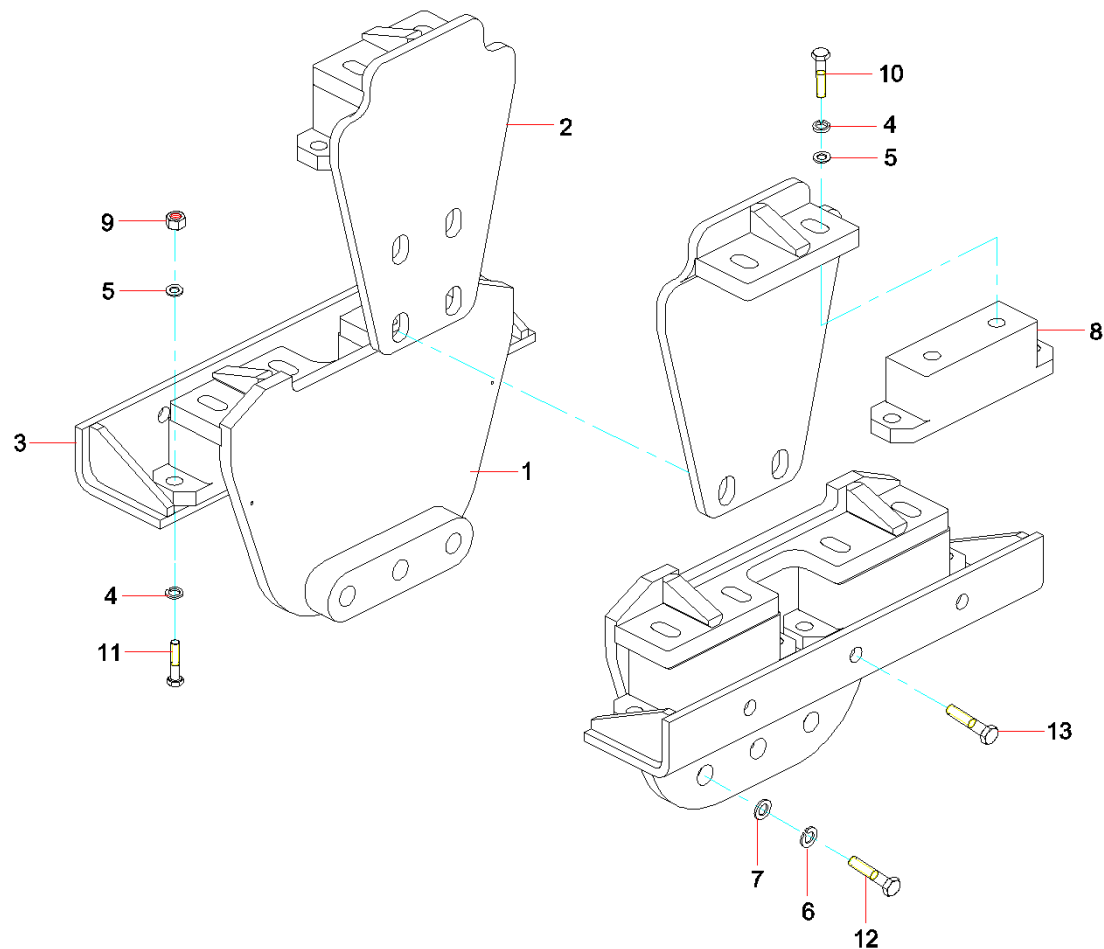
Group 6 Chassis



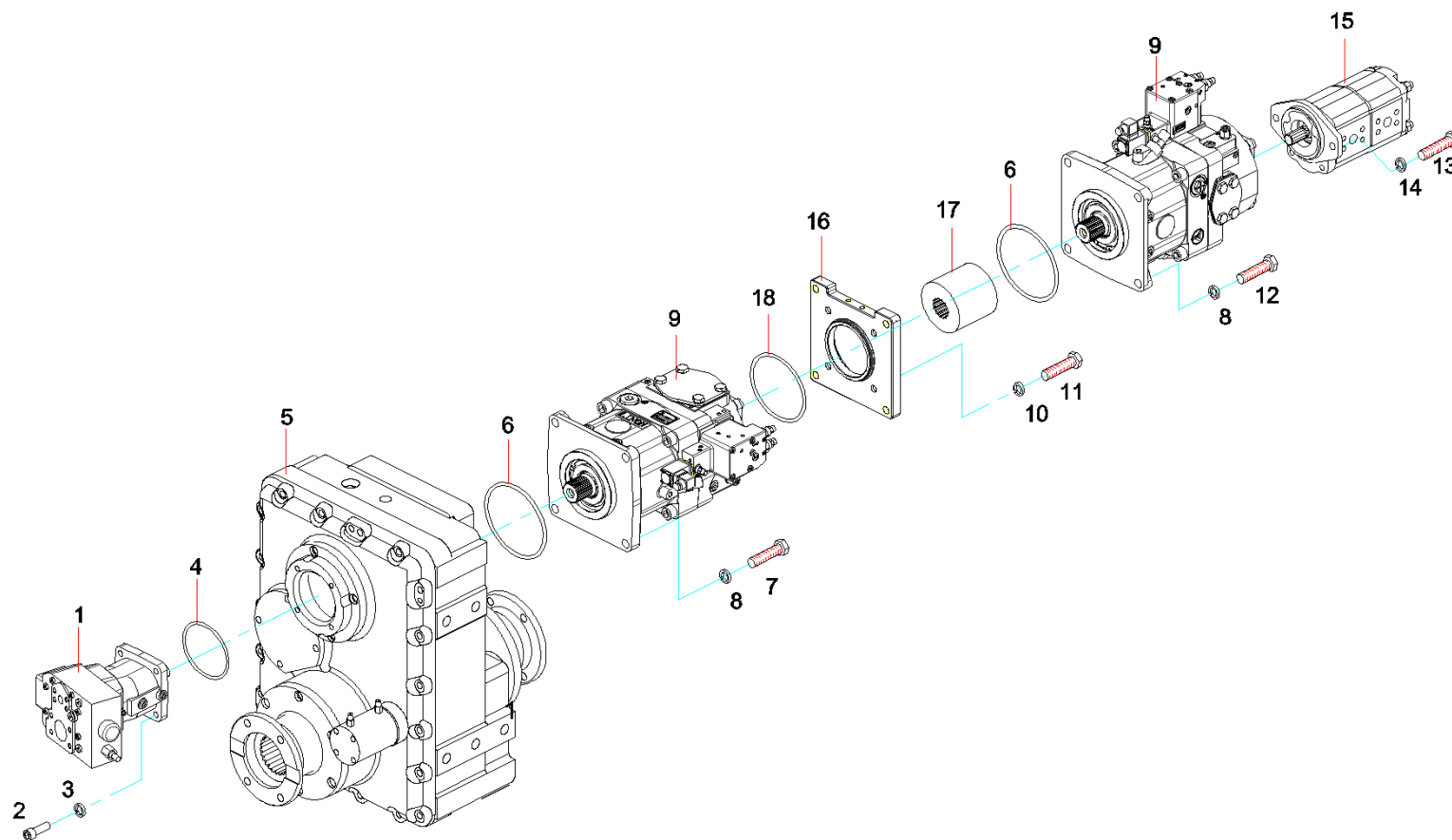
Item No.	Part No.	Description	Qty.	Remark
1	60066566	Chassis	1	
2	A810102040031	Shaft, driving	1	
3	A810103020022	Hanger, transfer case	1	
4	11796493	Transfer case and oil pump GP	1	
5	12211176	Hanger, oil pump	1	
6	11584662	Toolbox	1	
7	12755114	Platform and accessories	1	
8	60205617	Cover GP, tail lamp, right	1	
9	A210111000041	Bolt	8	
10	A210401000002	Washer	8	
11	A210405000001	Washer	8	
12	A810502990124	Mounting, lamp, Anti-fog	1	
13	11814186	Air valve and oil filling pipe GP	1	
14	60205616	Cover GP, tail lamp, left	1	



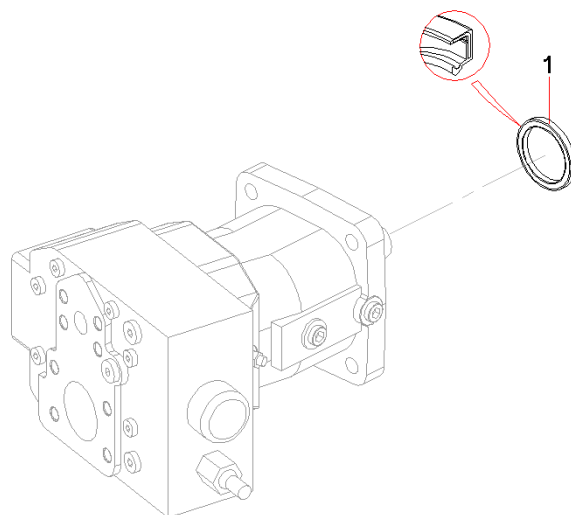
Item No.	Part No.	Description	Qty.	Remark
1	11471121	Shaft, front	1	
2	A210314000007	Nut	8	
3	A210401000003	Washer	8	
4	A210405000002	Washer	8	
5	A210113000041	Bolt	8	
6	A810103060055	Shaft, rear	1	
7	A210804000001	Cup, oil	2	



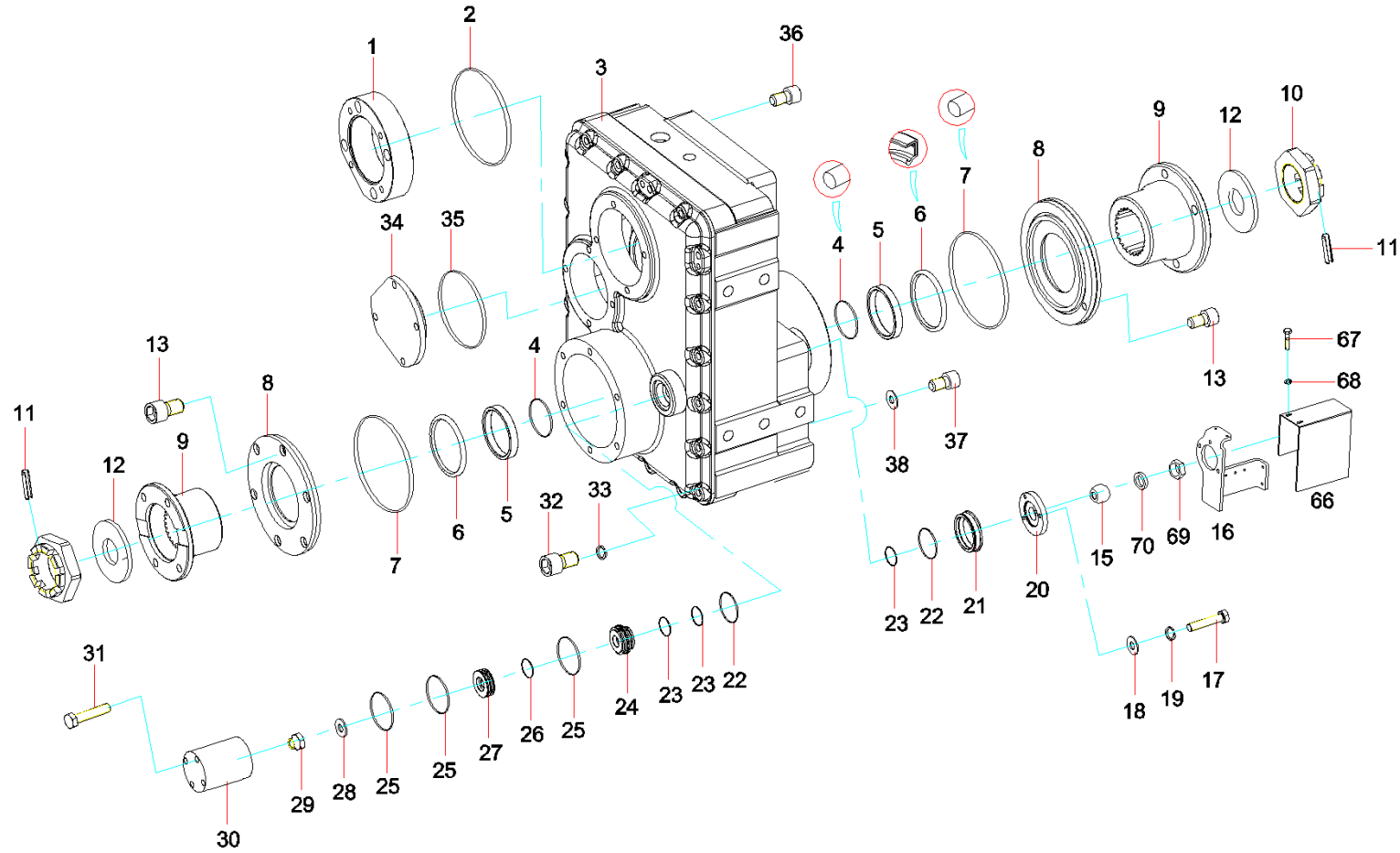
Item No.	Part No.	Description	Qty.	Remark
1	10467556	Plate, hanging	2	
2	10467548	Plate, hanging, auxiliary	2	
3	10417130	Seat	2	
4	A210401000004	Washer	30	
5	A210405000003	Washer	30	
6	A210401000006	Washer	10	
7	A210405000008	Washer	10	
8	10426741	Shock absorber, double-plate, narrow	6	
9	A210334000007	Nut	18	
10	A210111000112	Bolt	18	
11	A210153000012	Bolt	12	
12	A210110000205	Bolt	6	
13	A210111000062	Bolt	4	



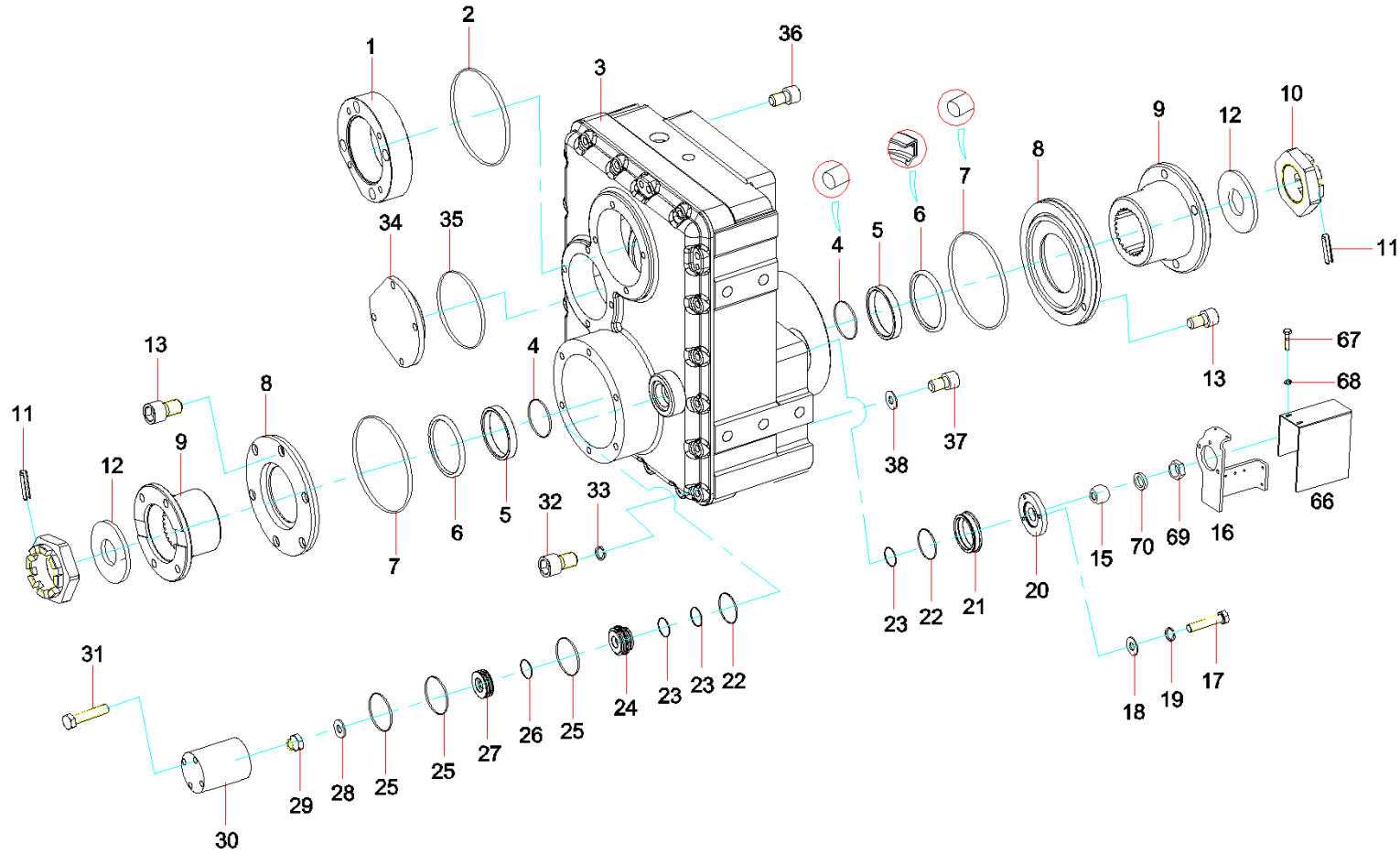
Item No.	Part No.	Description	Qty.	Remark
1	B220301000165	Pump, plunger	1	
2	A210204000226	Screw	4	
3	A210401000002	Washer	4	
4	A210608000320	O-ring	1	
5	10234443	Case, transfer	1	
6	A210609000015	O-ring	2	
7	A210110000078	Bolt	4	
8	A210401000006	Washer	8	
9	B220304000083	Pump, plunger	2	
10	A210401000004	Washer	4	
11	A210204000195	Screw	4	
12	A210111000233	Bolt	4	
13	A210111000101	Bolt	2	
14	A210405000001	Washer	4	
15	B220301000403	Pump, dual-gear	1	
16	10809191	Flange, connection	1	
17	B221700000011	Housing, spline	1	
18	A210609000303	O-ring	1	



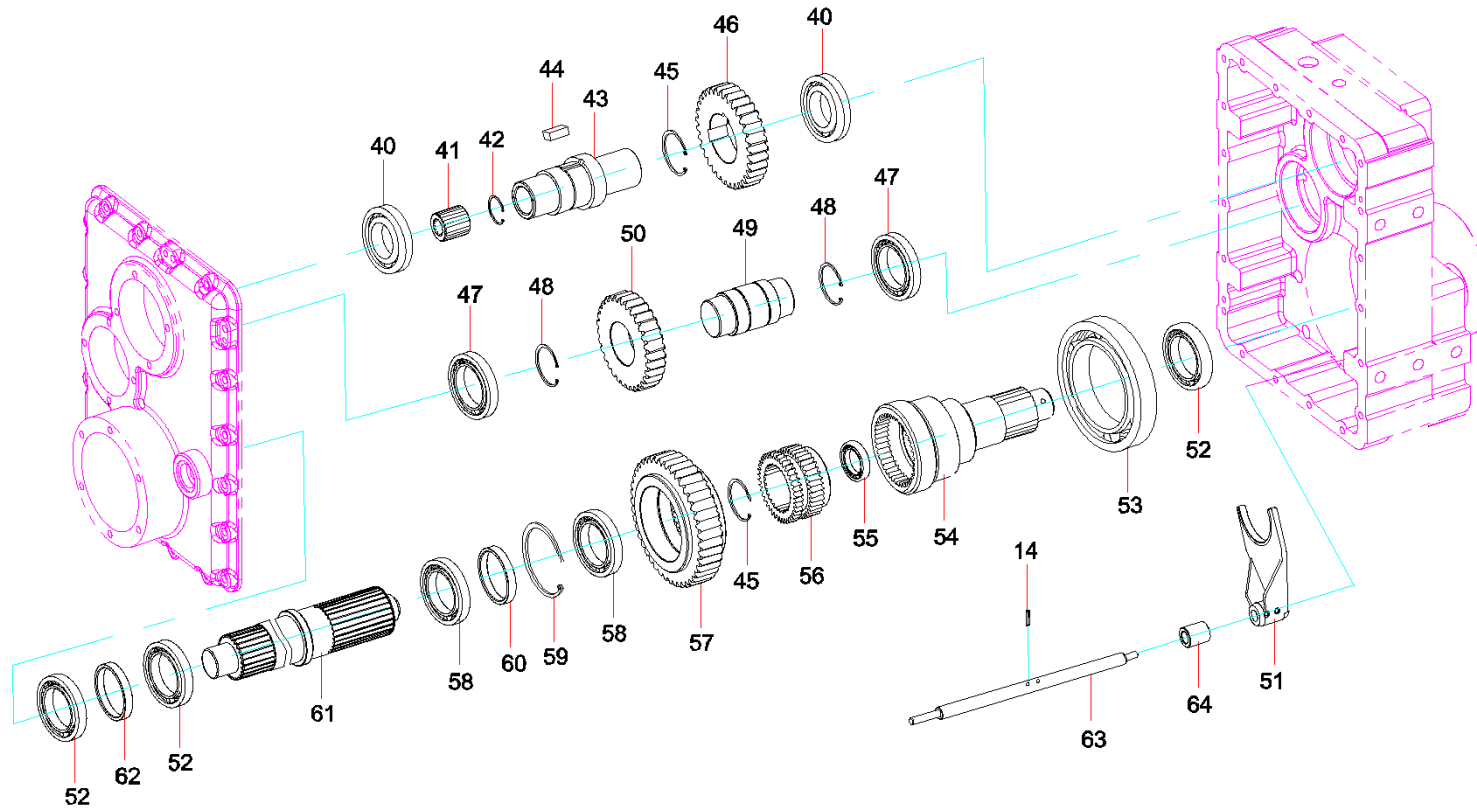
Item No.	Part No.	Description	Qty.	Remark
1	B230101001170	Seal, oil	1	



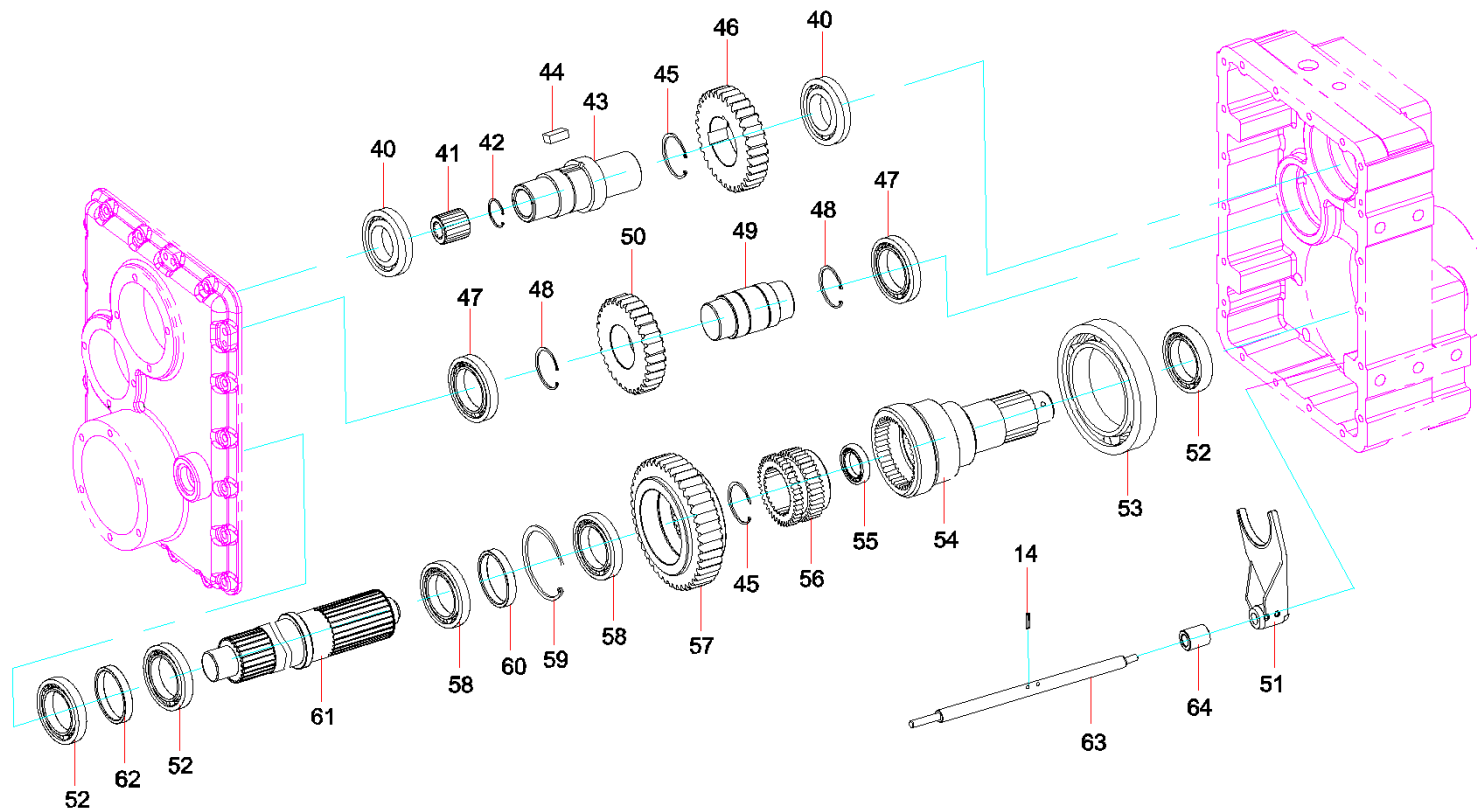
Item No.	Part No.	Description	Qty.	Remark
1	A820405000086	Cover, end, third shaft	1	
2	A210609000319	O-ring	1	
3	12245377	Box body, combination	1	
4	60113779	O-ring	2	
5	A820202004779	Ring, retainer	2	
6	B230101001726	Seal, oil	2	
7	A210609000320	O-ring	2	
8	A820201000678	Cover, penetrated	2	
9	A820203001630	Coupling	2	
10	A820204000477	Nut	2	
11	A210507000021	Pin	2	
12	A820299000907	Washer	2	
13	A210204000225	Screw	20	
15	11081590	Ring, pressure	1	
16	11081592	Plate, connection	1	
17	A210204000134	Screw	3	
18	A210405000006	Washer	3	
19	A210401000016	Washer	3	
20	A820601991077	Pad, thermal, insulation	1	
21	A820405000022	Sleeve, guide, small	1	
22	A210609000195	O-ring	2	
23	A210609000185	O-ring, fluororubber	3	



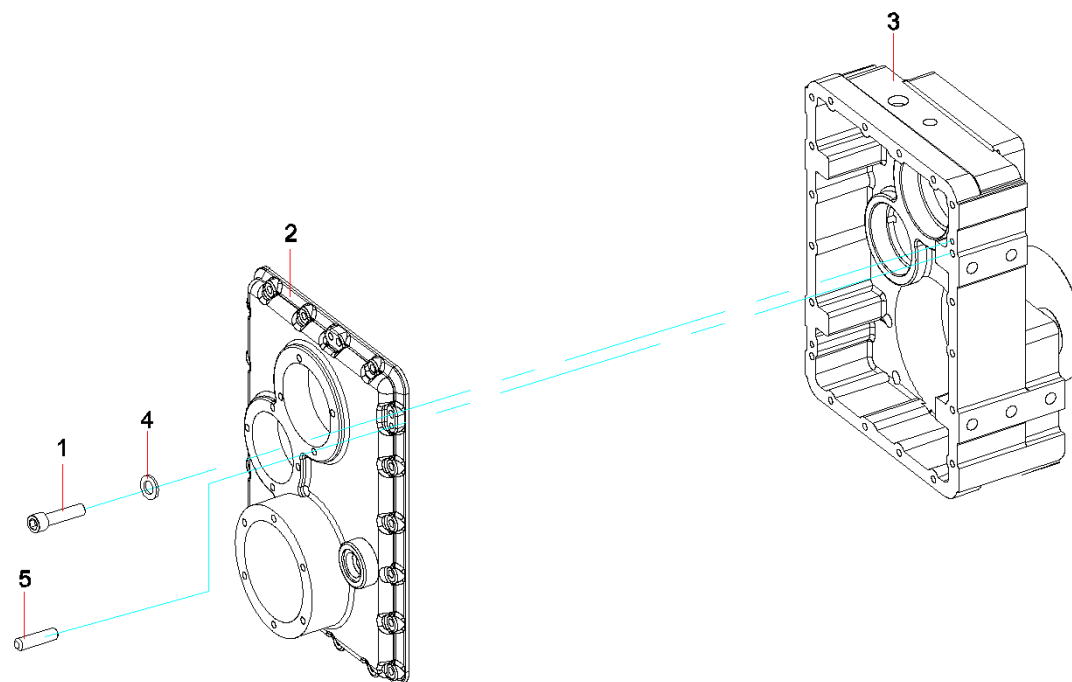
Item No.	Part No.	Description	Qty.	Remark
24	A820405000024	Sleeve, guide	1	
25	A210609000353	O-ring	3	
26	A210609000002	O-ring	1	
27	10449367	Piston body	1	
28	A210405000011	Washer	1	
29	A210334000003	Nut	1	
30	A820405000020	Air cylinder body	1	
31	A210204000352	Screw	4	
32	A210204000025	Screw	20	
33	A210405000001	Washer	20	
34	A820201000679	Cover, end, second shaft	1	
35	A210609000351	O-ring	1	
36	A210111000037	Bolt	2	
37	A210344000001	Plug, screw	3	
38	A230101000046	Washer	3	
66	11081595	Cover, protective	1	
67	A210204000259	Screw	4	
68	A210401000013	Washer	4	
69	A210307000001	Nut	2	
70	A210401000002	Washer	2	



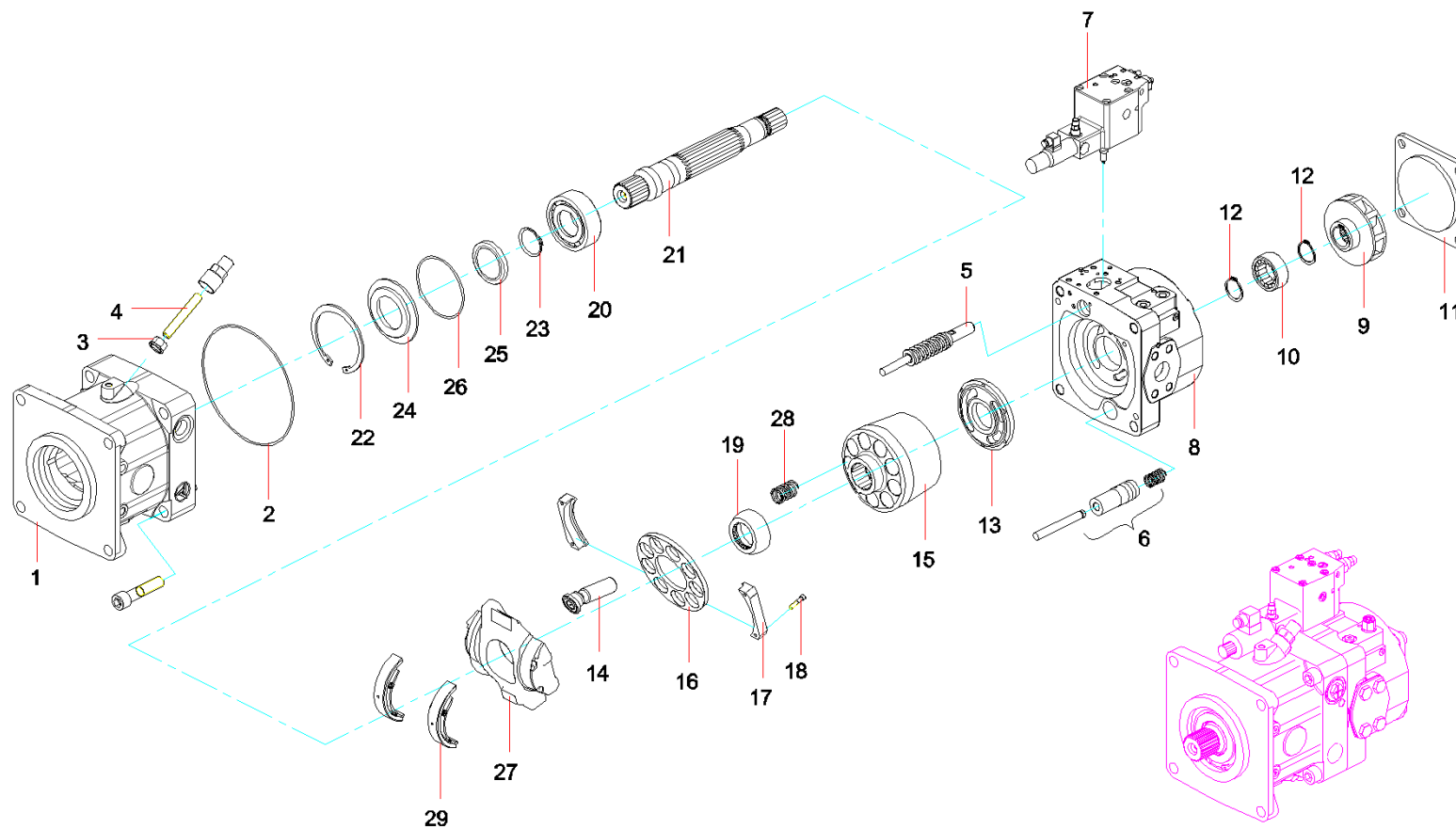
Item No.	Part No.	Description	Qty.	Remark
14	A210507000009	Pin	2	
40	B221500000055	Bearing	2	
41	A820202005048	Housing, spline	1	
42	A210416000039	Ring, retaining	1	
43	A820301022121	Shaft, third	1	
44	A829900000879	Key	2	
45	A210419000014	Ring, retaining	2	
46	A820210000223	Gear	1	
47	B221500000196	Bearing	2	
48	A210414000102	Ring, retainer	2	
49	A820302020039	Shaft, second	1	
50	A820210000222	Gear	1	
51	A820404000090	Fork, shift	1	
52	B221500000200	Bearing	3	
53	B221500000236	Bearing	1	
54	A820301020616	Shaft, output	1	
55	B221500000199	Bearing	1	
56	A820210000172	Gear	1	
57	A820210000221	Gear	1	
58	B221500000197	Bearing	2	
59	A210416000035	Ring, retaining	1	
60	A820299000909	Ring, retainer	1	



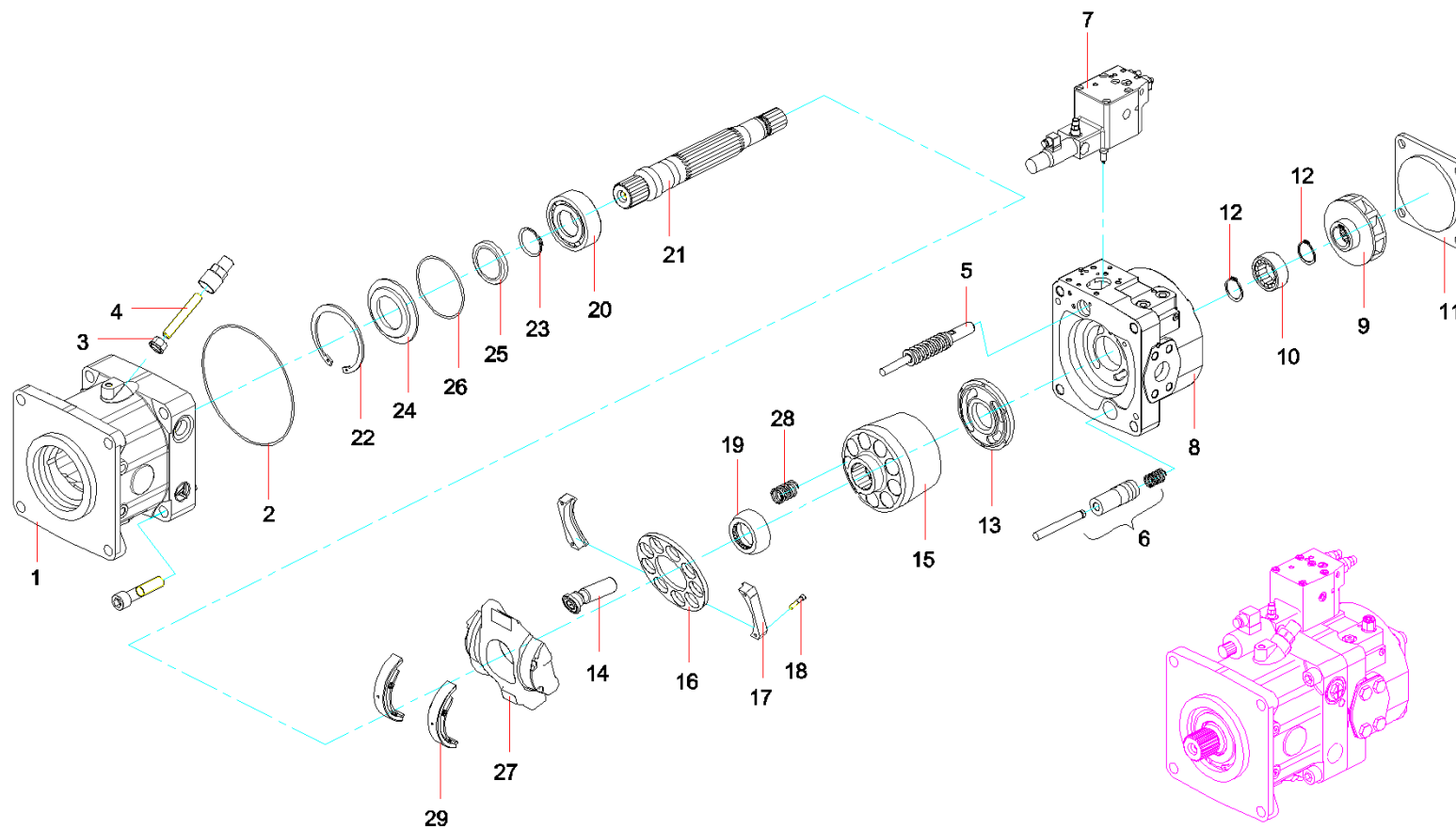
Item No.	Part No.	Description	Qty.	Remark
61	A820301020617	Shaft, input	1	
62	A820202003672	Bushing	1	
63	11081591	Lever, shift fork	1	
64	A820202003028	Sleeve, positioning	1	



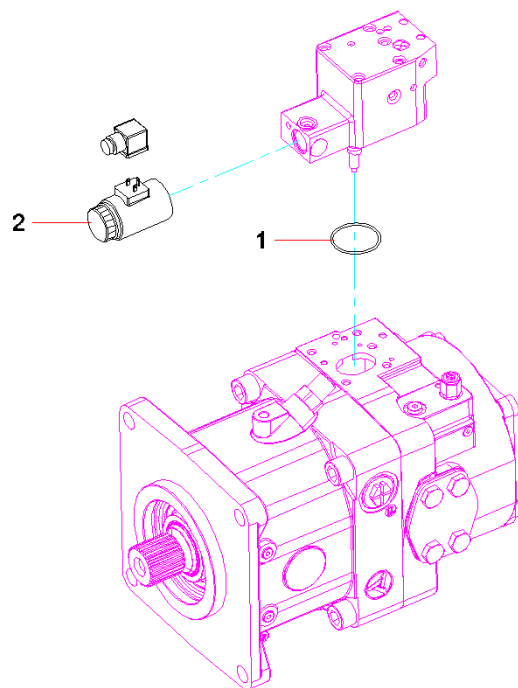
Item No.	Part No.	Description	Qty.	Remark
1	A210204000025	Screw	2	
2	A820405000025	Cover, tank	1	
3	A820405000026	Tank body	1	
4	A210405000001	Washer	2	
5	21051708	Pin	2	



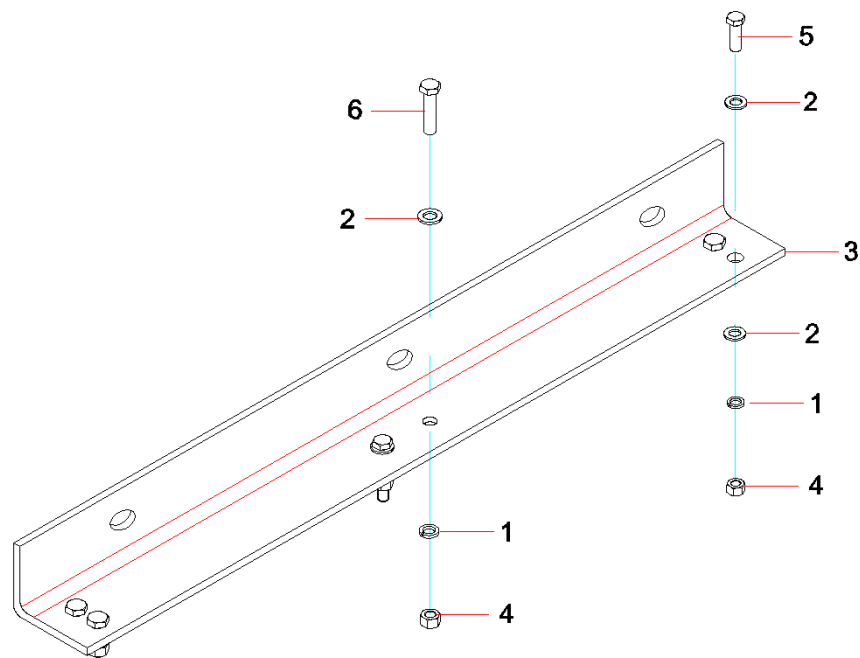
Item No.	Part No.	Description	Qty.	Remark
1	60147959	Housing	1	
2	60147989	O-ring	1	
3	60147975	Locknut	2	
4	60147963	Screw	2	
5	60147908	Return ejector rob assembly	1	
6	60147911	Slaving ejector rob assembly	1	
7	B229900000324	Valve, control	1	
8	60147949	Cylinder cover AS	1	
9	60147916	Turbine, charging	1	
10	60147922	Bering	1	
11	60147945	Cover, end	1	
12	60147935	Ring, retainer	2	
13	B220301000129	Casing, distribution, oil	1	
14	B220301000124	Plunger	9	
15	60010417	Block, cylinder	1	
16	B229900000328	Plate, set	1	
17	60147979	Plate, pressure	2	
18	60147962	Screw	4	
19	60010421	Hinge, ball	1	
20	60123230	Bearing	1	
21	B229900005792	Shaft, main	1	
22	60147940	Ring, retainer	1	



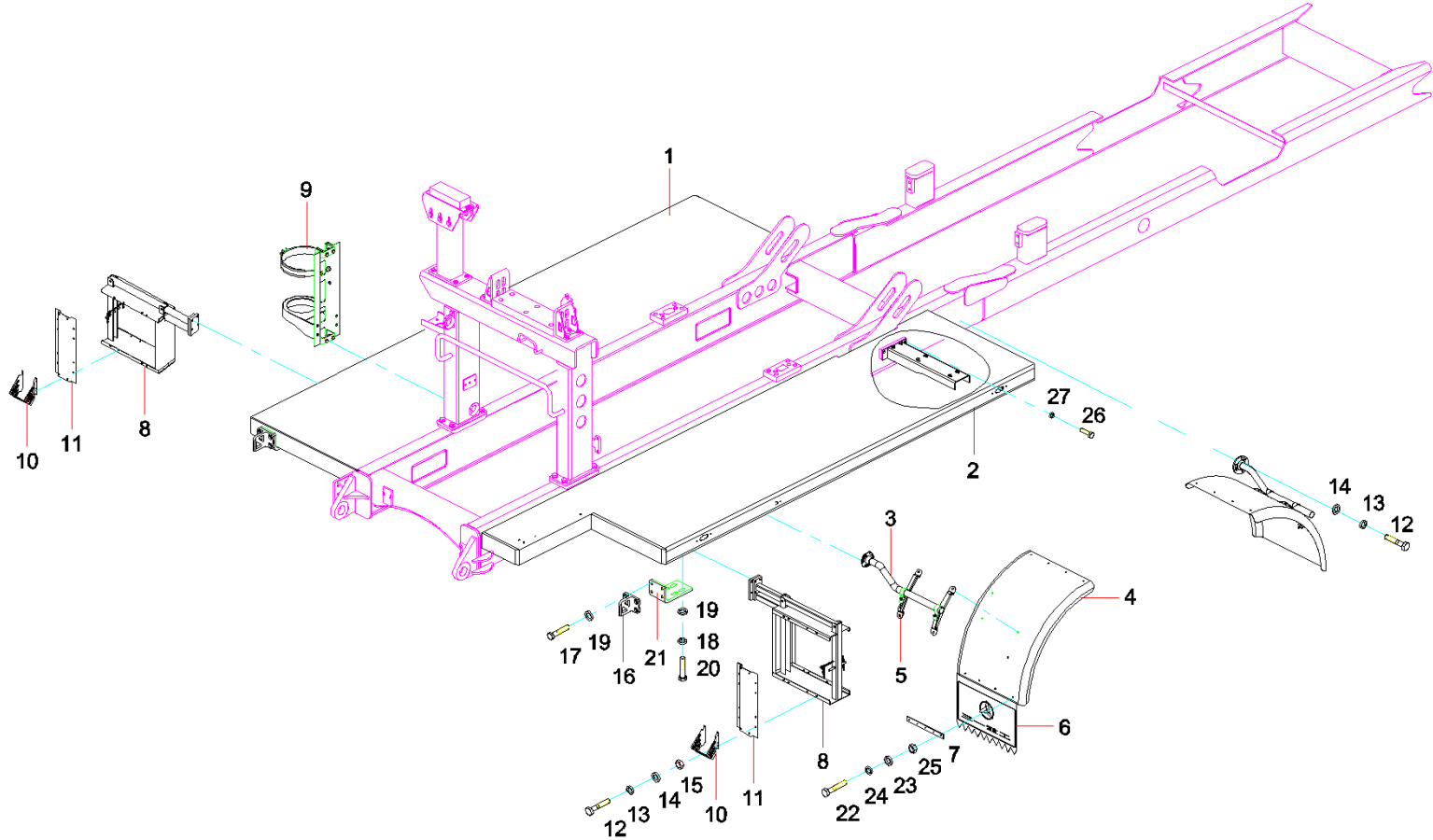
Item No.	Part No.	Description	Qty.	Remark
23	60147938	Ring, retainer	1	
24	60147907	Cover	1	
25	B230101000176	Seal, oil	1	
26	60147990	O-ring	1	
27	B229900005789	Plate, swash	1	
28	60147929	Spring	20	
29	60010556	Bearing	2	



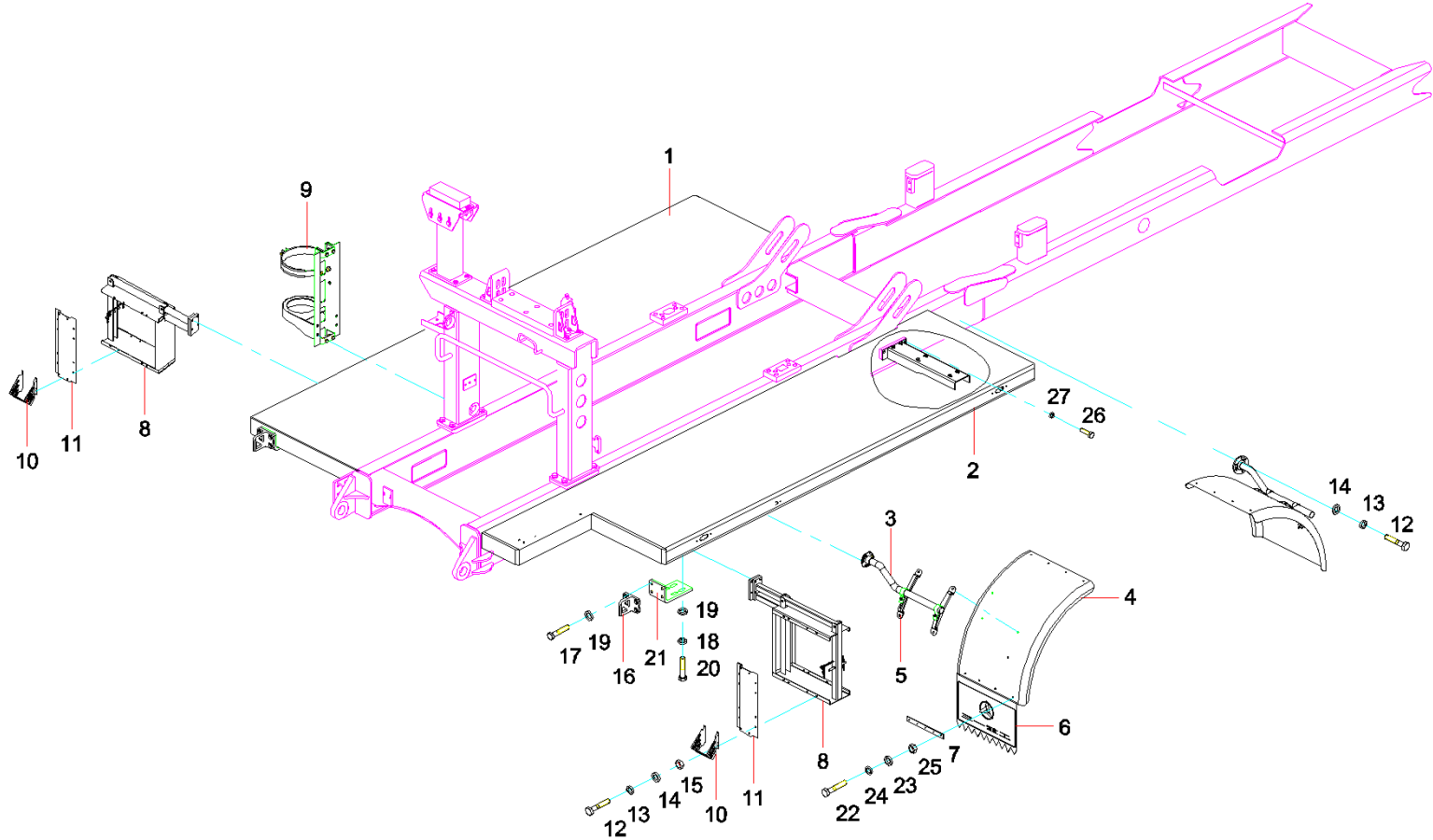
Item No.	Part No.	Description	Qty.	Remark
1	60030461	O-ring	1	
2	B220400000280	Valve GP, electromagnetic	1	



Item No.	Part No.	Description	Qty.	Remark
1	A210401000002	Washer	6	
2	A210405000001	Washer	12	
3	12207930	Plate, hanging	1	
4	A210307000031	Nut	6	
5	A210111000203	Bolt	4	
6	A210111000118	Bolt	2	



Item No.	Part No.	Description	Qty.	Remark
1	12689979	Platform, left	1	
2	12690423	Platform, right	1	
3	60063102	Support, mudguard	4	
4	60000959	Mudguard, tyre	4	
5	A229900007244	Adjusting pressure plate, mudguard	8	
6	60024662	Mudguard, rear	2	
7	A820101311280	Plate, strip, trim	2	
8	10672496	Box, plate, backup	2	
9	A810406012907	Support, accumulator	1	
10	A810599001331	Box, chock	2	
11	10672507	Chock	2	
12	A210111000011	Bolt	28	
13	A210401000001	Washer	28	
14	A210405000011	Washer	28	
15	A210307000017	Nut	16	
16	11763657	Plate, lock, steel, stainless	2	
17	A313041602516	Screw	8	
18	A210401000004	Washer	8	
19	A210405000003	Washer	8	
20	A210111000229	Bolt	8	
21	11757792	Plate, connecting, lock plate	2	
22	A210111000090	Bolt	24	

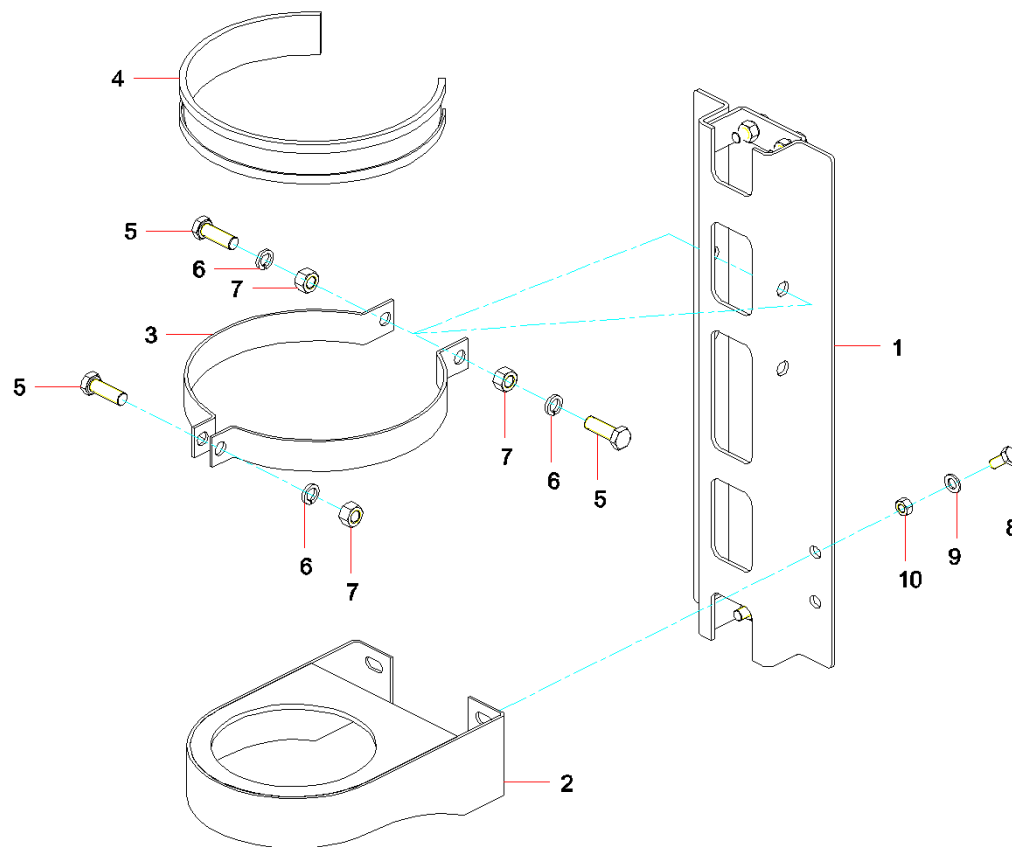


12755114 Platform and accessories (2/2)

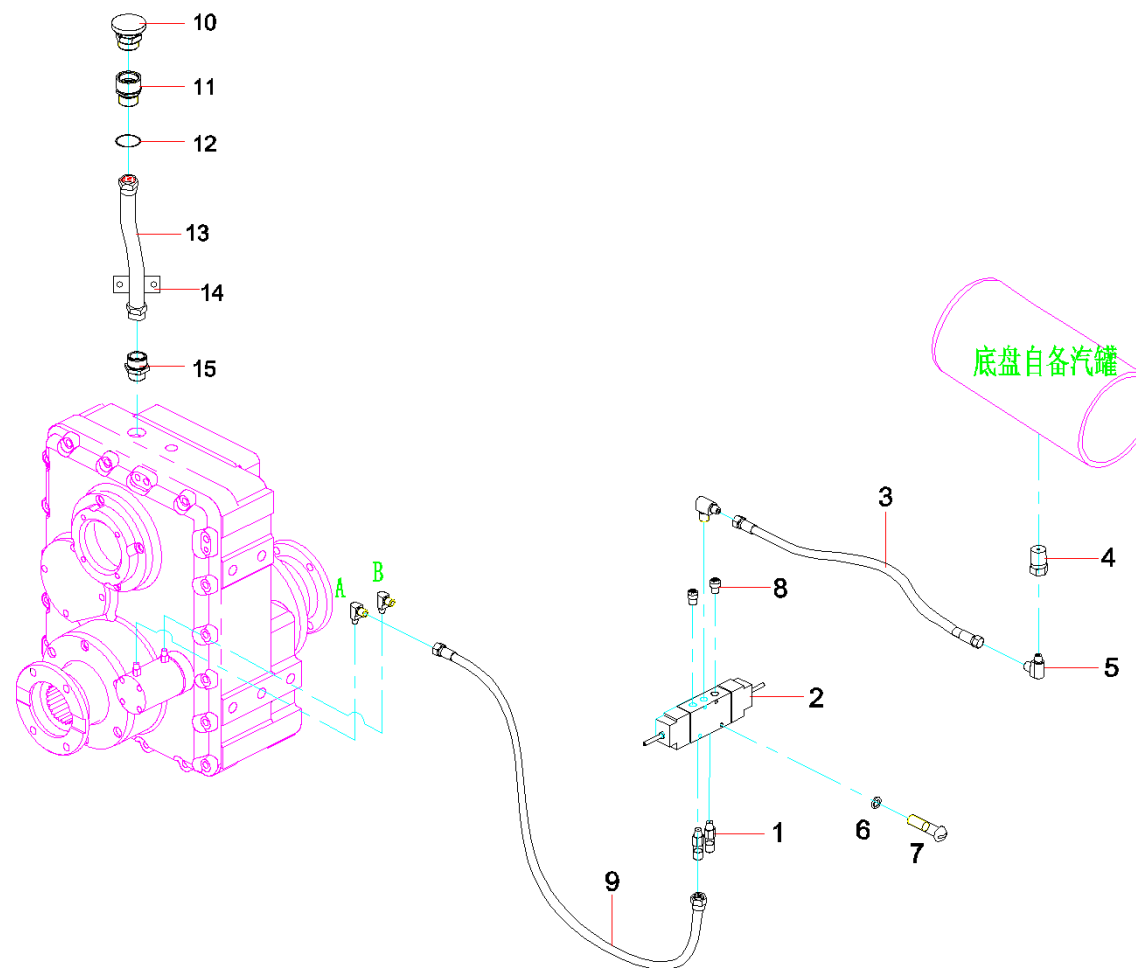


Item No.	Part No.	Description	Qty.	Remark
23	A210405000007	Washer	24	
24	A210401000017	Washer	24	
25	A210307000013	Nut	24	
26	A210111000199	Bolt	36	
27	A210433000019	Washer	36	





Item No.	Part No.	Description	Qty.	Remark
1	11028577	Weldment, positioning rack	1	
2	A810406012867	Base	1	
3	A820101359318	Hoop	2	
4	A820606011261	Sleeve, protective, rubber	1	
5	A210111000039	Bolt	3	
6	A210401000002	Washer	3	
7	A210307000001	Nut	3	
8	A210111000023	Bolt	8	
9	A210401000001	Washer	8	
10	A210307000017	Nut	8	

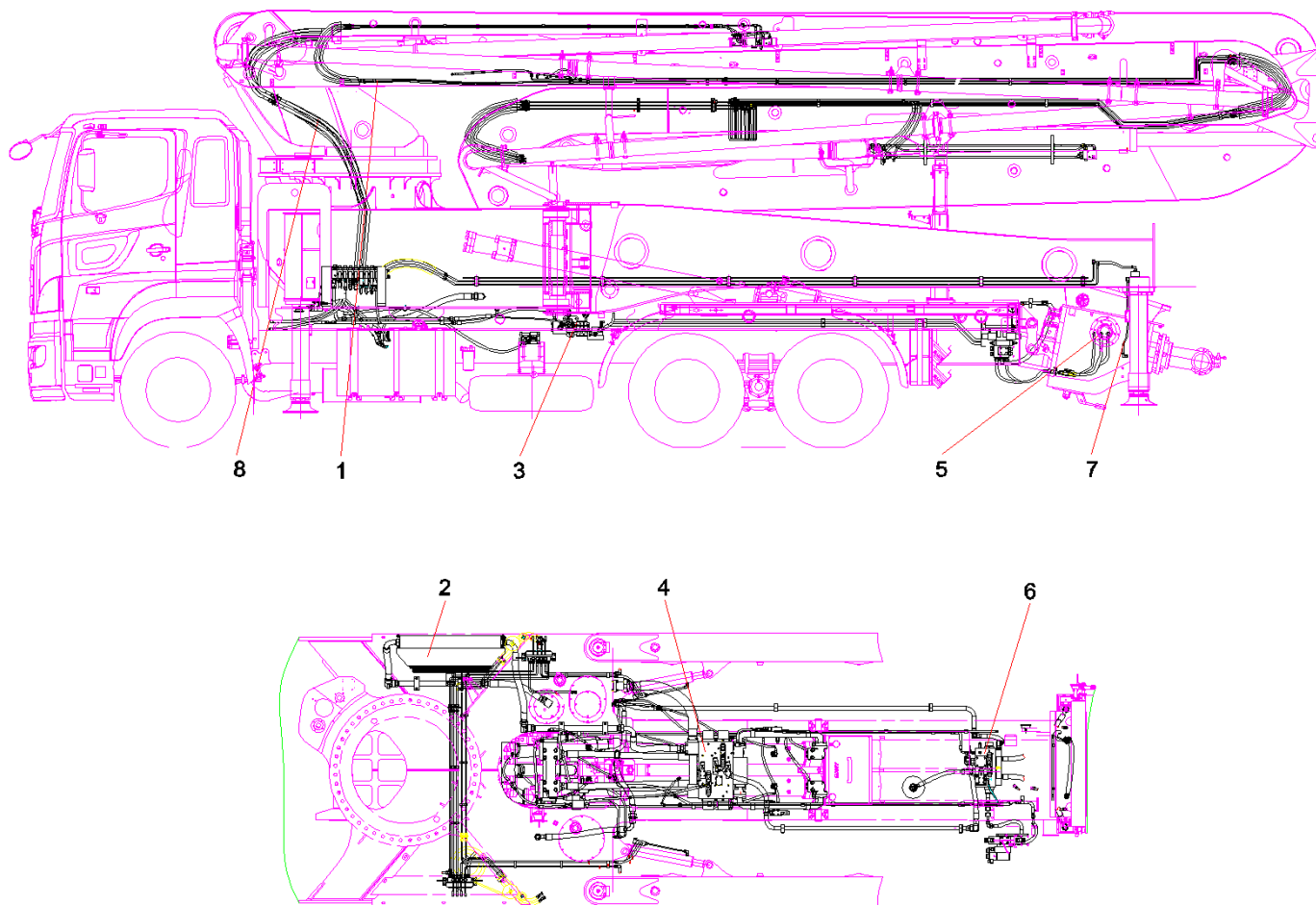


Item No.	Part No.	Description	Qty.	Remark
1	A820205000183	Connector, straight	2	
2	B220400000121	Valve, directional	1	
3	B230103004340	Hose, rubber	1	
4	A820205001067	Connector, tank, gas	1	
5	A820205000181	Connector, right angle	4	
6	A210405000004	Washer	4	
7	A210202000016	Screw	4	
8	A220202000022	Muffler	2	
9	B230103003796	Hose, rubber	2	
10	12204324	Hood, vent	1	
11	A820204000066	Connector	1	
12	A210434000013	Washer	2	
13	A230103000809	Hose, rubber	1	
14	B210851000056	Clamp, single pipe	1	
15	A820205001077	Connector, pipe, filling, oil	1	

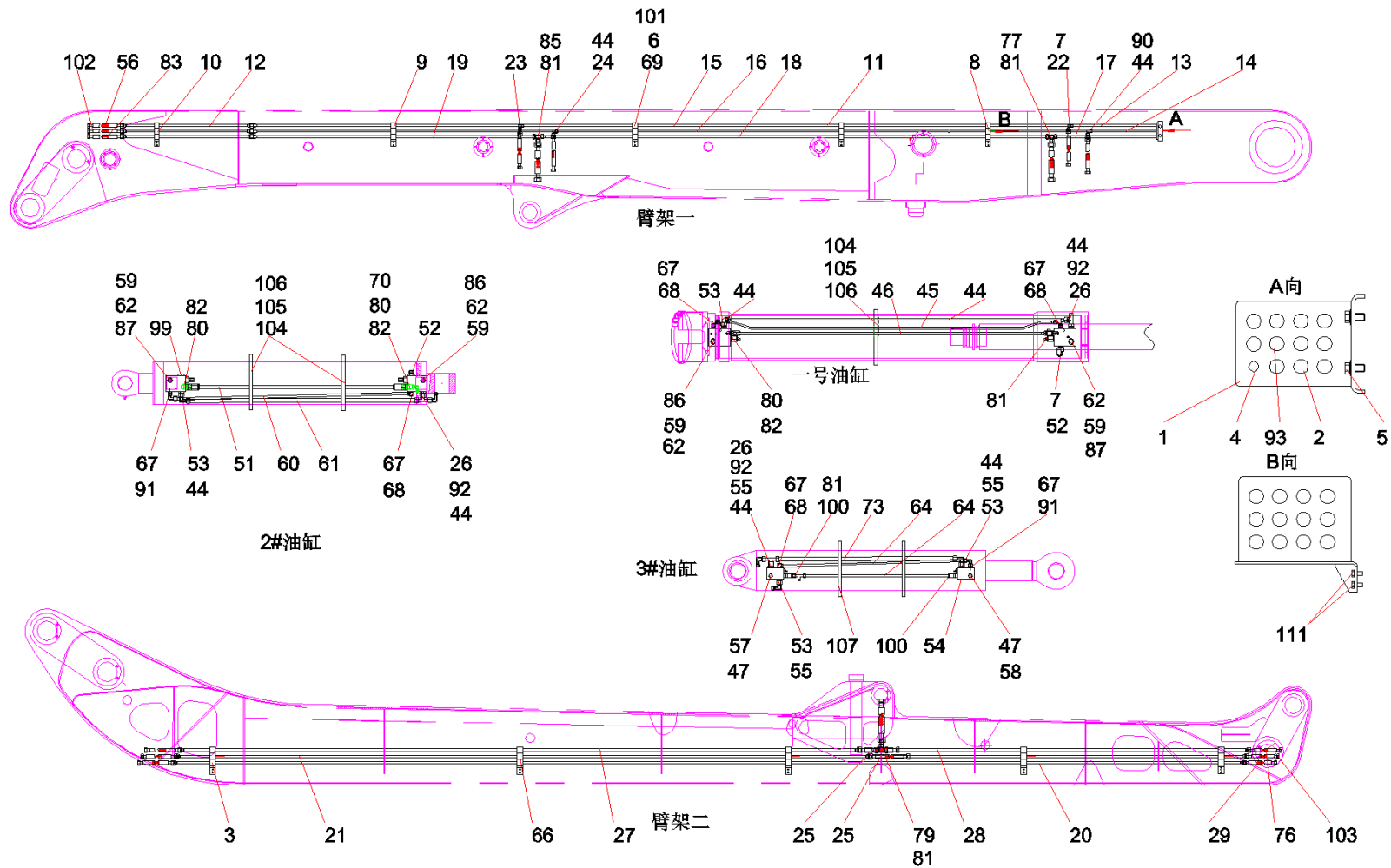


Group 7

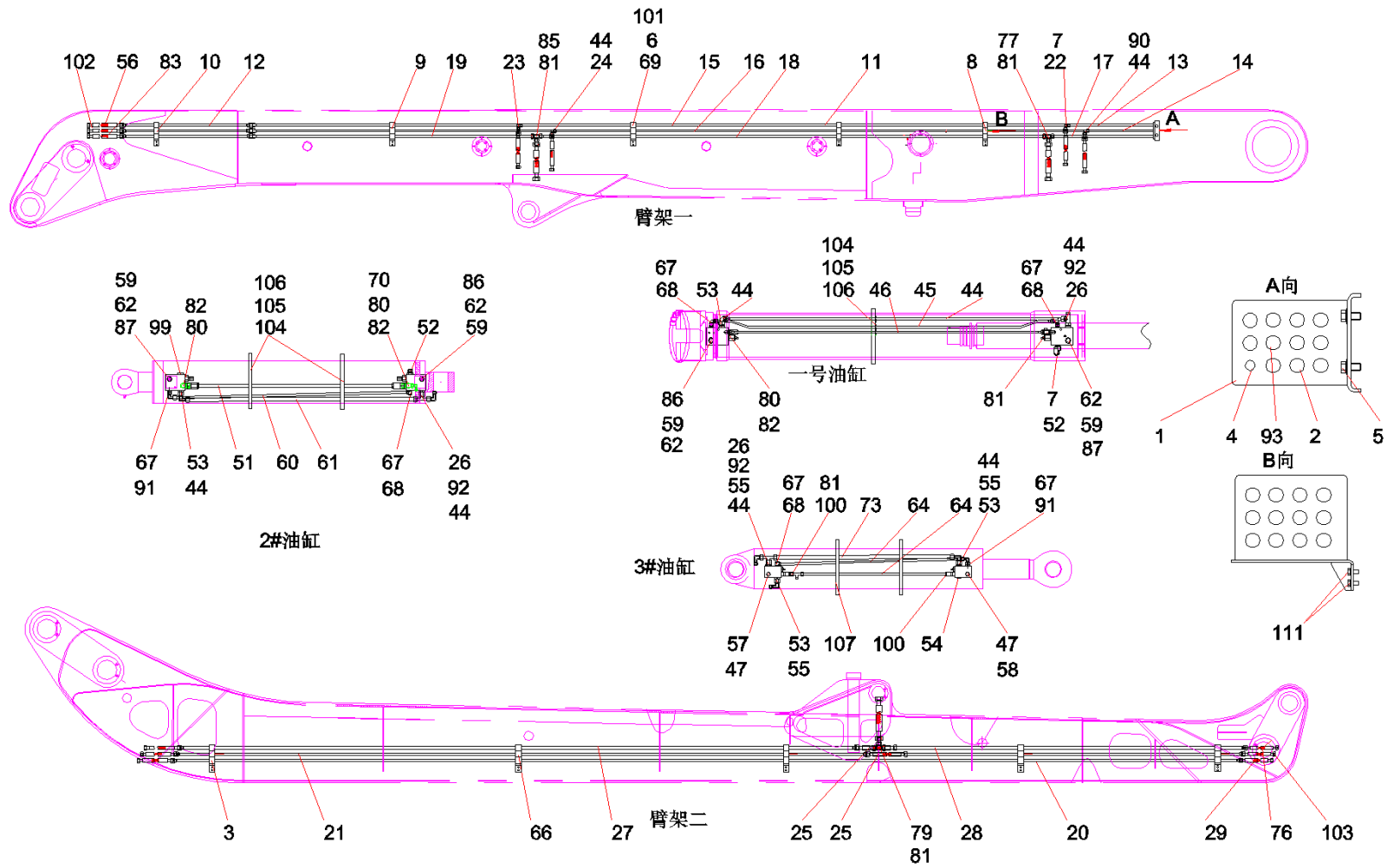
Hydraulic system



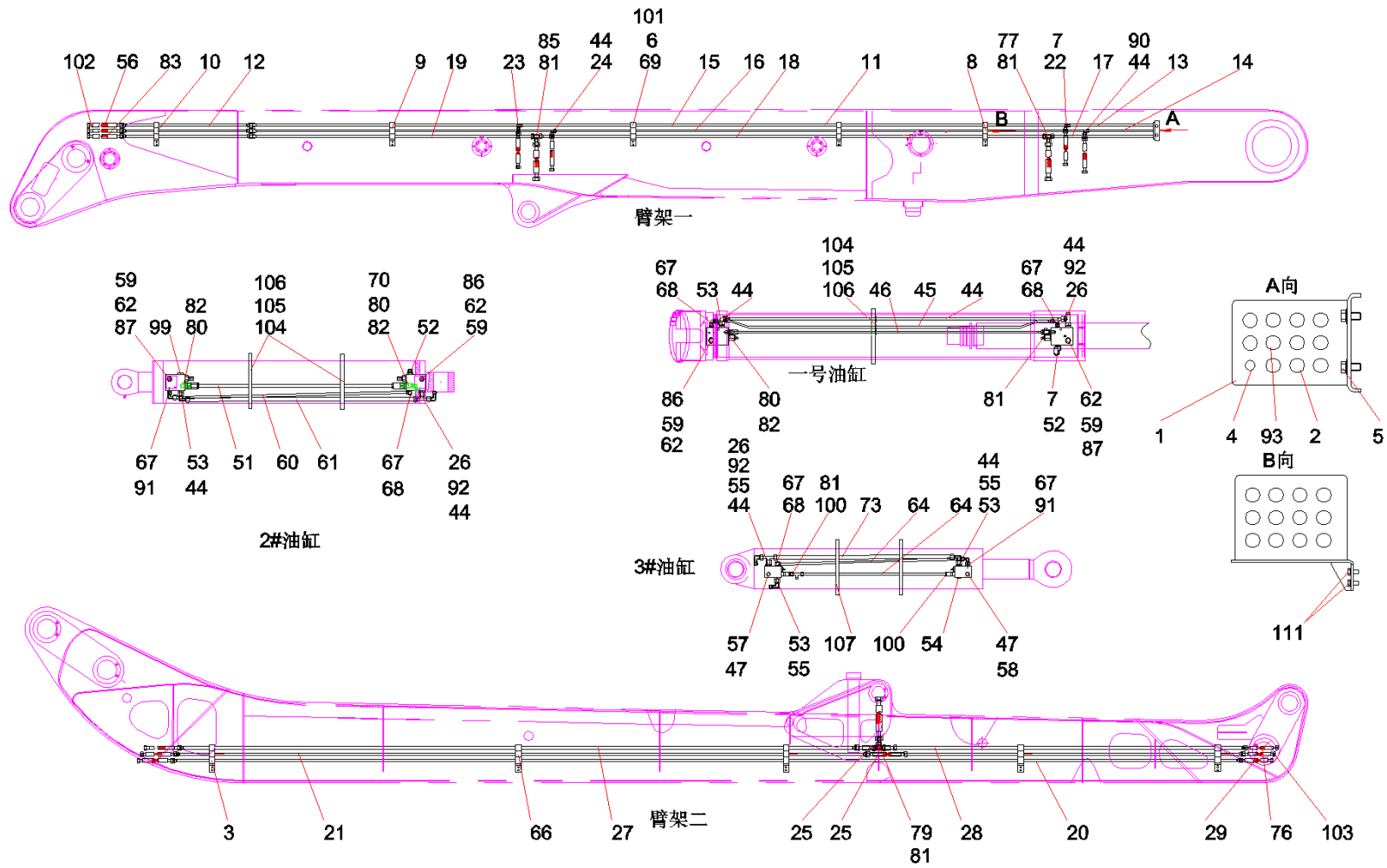
Item No.	Part No.	Description	Qty.	Remark
1	12563916	Hydraulic system, boom	1	
2	12826359	Cooling system	1	
3	12855220	Flushing system	1	
4	12827887	Pipeline, hydraulic, main system	1	
5	12828050	Hydraulic system, mixing	1	
6	12831484	Hydraulic system, swing cylinder	1	
7	12772657	Hydraulic system, outrigger	1	
8	12828047	Pipeline, hydraulic, revolving tower	1	



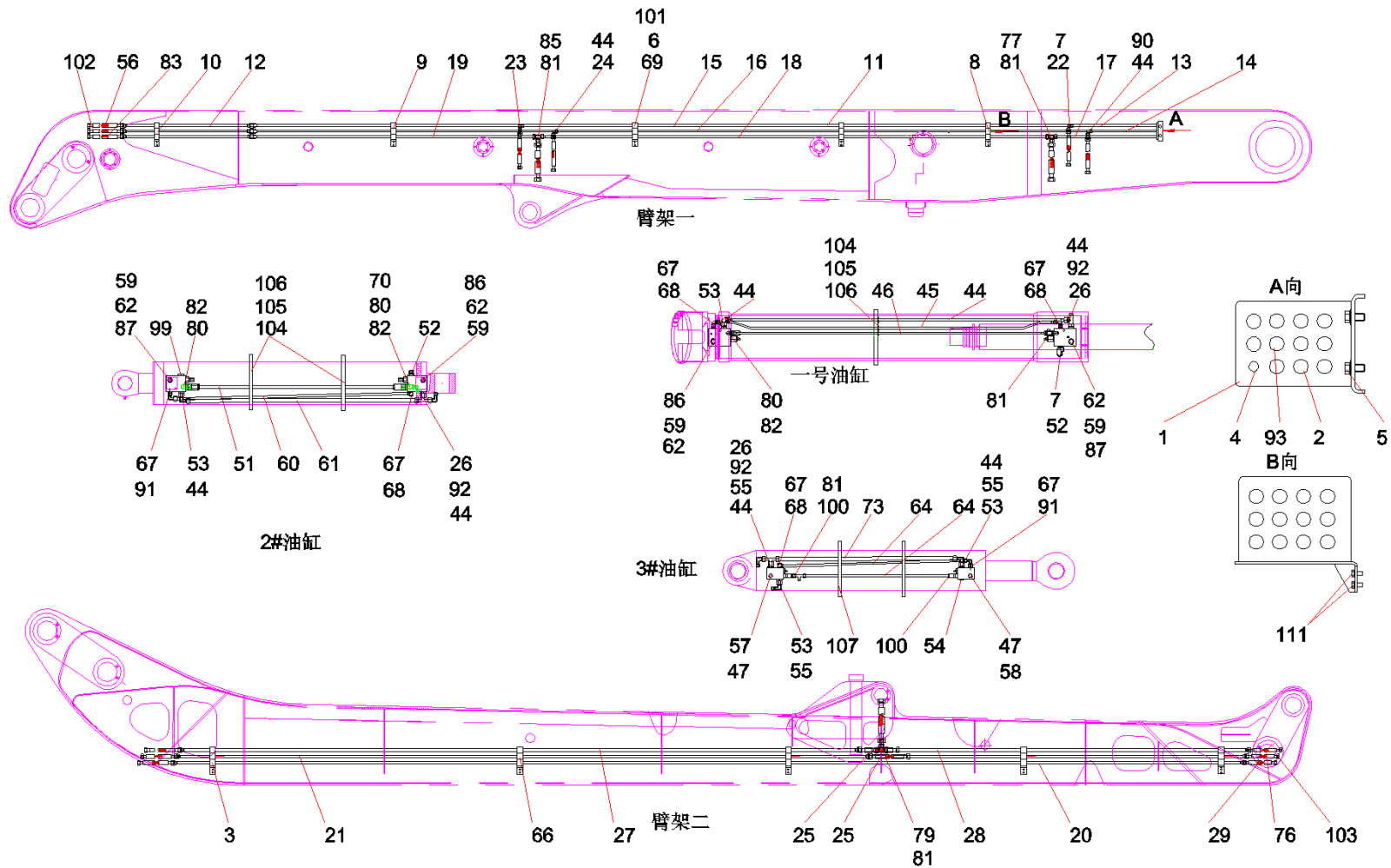
Item No.	Part No.	Description	Qty.	Remark
1	11701409	Plate, connector, overlying piping, 12-hole	1	
2	B210780000655	Connector, pipe	6	
3	11514258	Rail, guide, 3-comb clamp	6	
4	B210780000647	Connector, pipe	1	
5	A313041602516	Screw	2	
6	11514259	Rail, guide, 4-comb clamp	5	
7	B210780001153	Connector, pipe	3	
8	A229900007235	Screw	46	
9	A210204000182	Screw	14	
10	A210204000132	Screw	8	
11	12841207	Pipe, oil	6	
12	12841209	Pipe, oil	6	
13	12841211	Pipe, oil	1	
14	12841213	Pipe, oil	1	
15	12841215	Pipe, oil	1	
16	12841217	Pipe, oil	1	
17	12841219	Pipe, oil	1	
18	12841221	Pipe, oil	1	
19	12841223	Pipe, oil	1	
20	12841225	Pipe, oil	4	
21	12841227	Pipe, oil	2	
22	60008253	Hose, rubber	1	



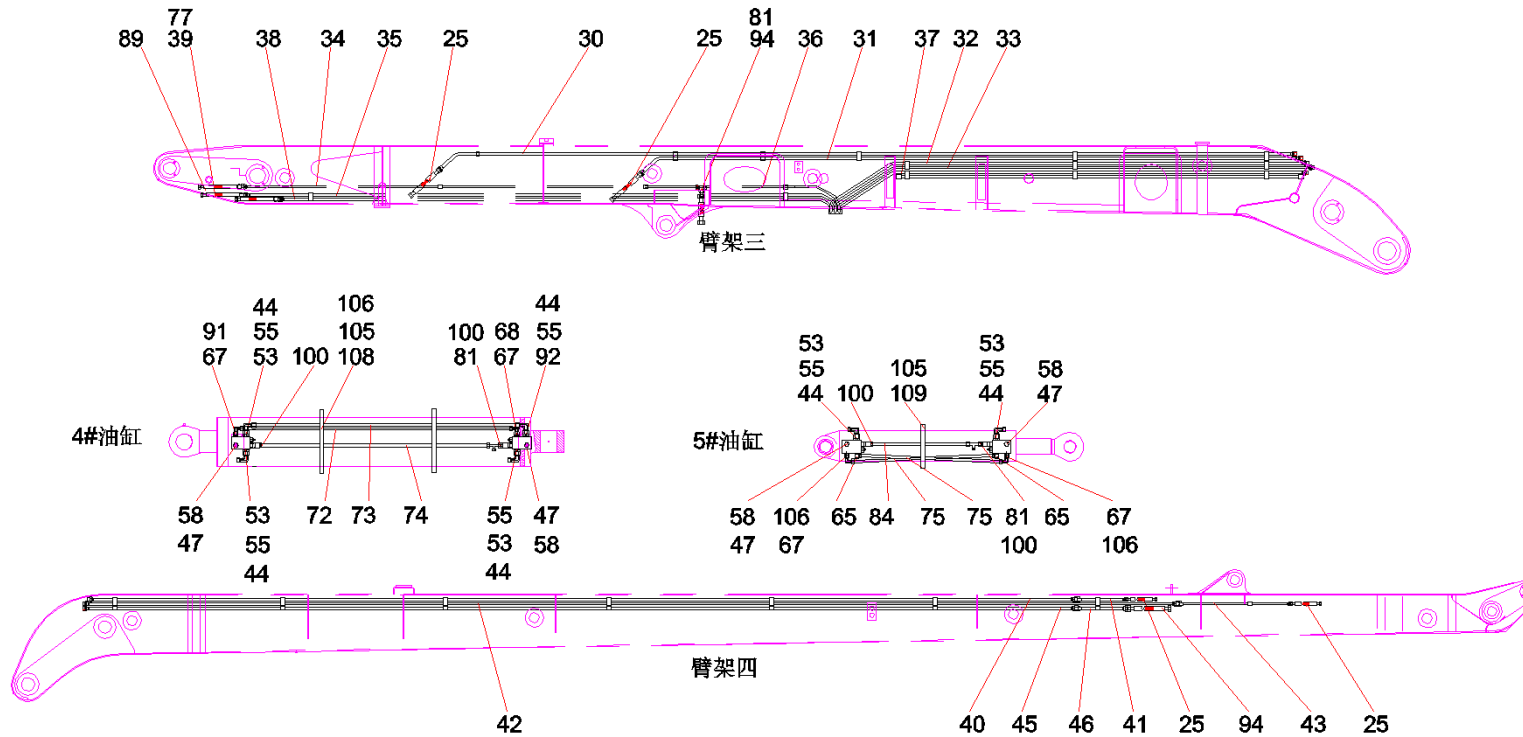
Item No.	Part No.	Description	Qty.	Remark
23	B230103006727	Hose, rubber	1	
24	60119876	Hose, rubber	1	
25	B230103003885	Hose, rubber	6	
26	B210780000020	Connector, pipe	3	
27	12841229	Pipe, oil	1	
28	12841231	Pipe, oil	1	
29	B230103003882	Hose, rubber	2	
44	B210780000736	Connector, pipe	13	
45	12841241	Pipe, oil	1	
46	12841243	Pipe, oil	1	
47	60159754	Valve, balanced	6	
51	12735250	Pipe, oil	1	
52	B210780000047	Connector, pipe	2	
53	A820205000223	Connector, pipe	9	
54	B210399000002	Plug, screw	1	
55	B230101000375	O-ring	7	
56	B230103000155	Hose, rubber	6	
57	60061671	valve, damper, one-way	1	
58	60061670	valve, damper, one-way	5	
59	60051667	valve, damper, one-way	4	
60	12731682	Pipe, oil	1	
61	12731798	Pipe, oil	1	



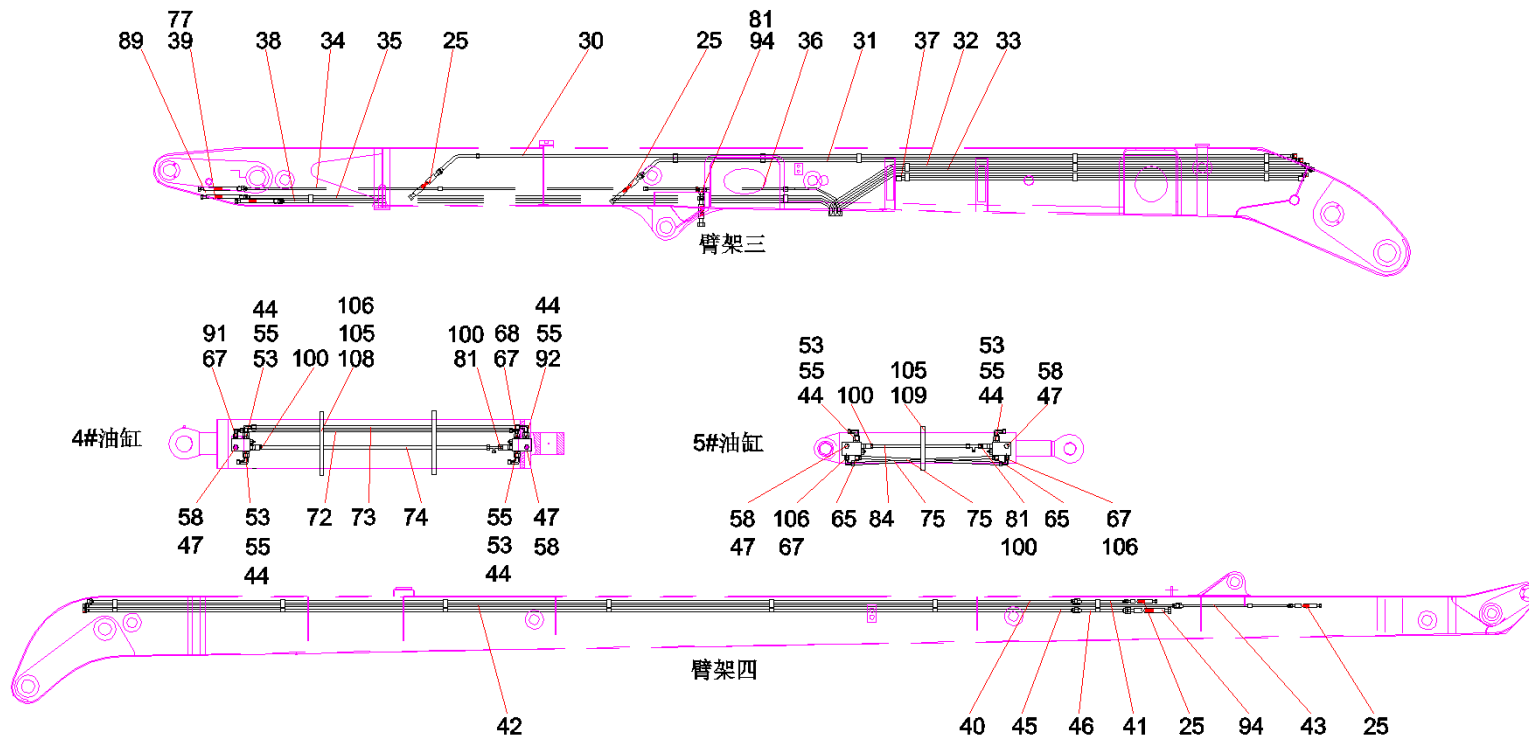
Item No.	Part No.	Description	Qty.	Remark
62	B230101001214	O-ring	2	
64	12732041	Pipe, oil	2	
66	60028239	Body, pipe clamp	21	
67	B210780000024	Connector, pipe	8	
68	B210780000037	Connector, pipe	4	
69	60014673	Body, clamp	95	
70	B210780000631	Connector, pipe	2	
73	12738694	Pipe, oil	2	
76	60156802	Hose, rubber	1	
77	60210214	Hose, rubber	1	
79	B230103000484	Hose, rubber	2	
80	B210780000036	Connector, pipe	4	
81	B210780000015	Connector, pipe	7	
82	B210780000636	Connector, pipe	4	
83	B230103000444	Hose, rubber	1	
85	B230103000441	Hose, rubber	1	
86	60051668	Valve, balanced	2	
87	60051669	Valve, balanced	2	
90	60209227	Hose, rubber	1	
91	60186836	Connector, filter	5	
92	60186837	Connector, filter	4	
93	B210780000996	Connector, pipe	4	



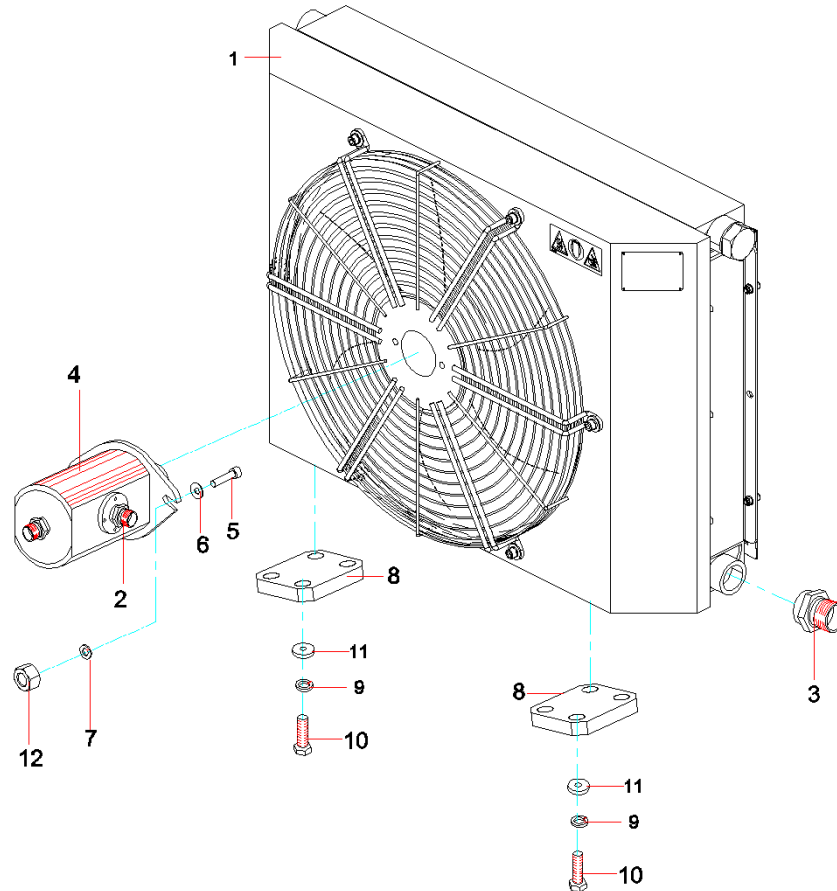
Item No.	Part No.	Description	Qty.	Remark
99	B210780000799	Plug, screw	2	
100	B210780000177	Connector, pipe	6	
101	60014663	Plate, welding, clamp	34	
102	11805685	Sleeve, protective, rubber hose, plastic	1	
103	11805686	Sleeve, protective, rubber hose, plastic	1	
104	60196988	Hoop	3	
105	12638409	Clamp	7	
106	12638380	Clamp	17	
107	60196987	Hoop	2	
111	A210204000242	Screw	22	



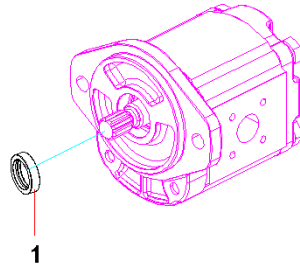
Item No.	Part No.	Description	Qty.	Remark
25	B230103003885	Hose, rubber	6	
30	12839743	Pipe, oil	1	
31	12839745	Pipe, oil	1	
32	12839747	Pipe, oil	1	
33	12839749	Pipe, oil	1	
34	12839751	Pipe, oil	1	
35	12839753	Pipe, oil	1	
36	12839755	Pipe, oil	1	
37	12839757	Pipe, oil	1	
38	12839759	Pipe, oil	1	
39	B230103003881	Hose, rubber	4	
40	12841233	Pipe, oil	1	
41	12841235	Pipe, oil	1	
42	12841237	Pipe, oil	1	
43	12841239	Pipe, oil	1	
44	B210780000736	Connector, pipe	13	
45	12841241	Pipe, oil	1	
46	12841243	Pipe, oil	1	
47	60159754	Valve, balanced	6	
53	A820205000223	Connector, pipe	9	
55	B230101000375	O-ring	7	
58	60061670	valve, damper, one-way	5	



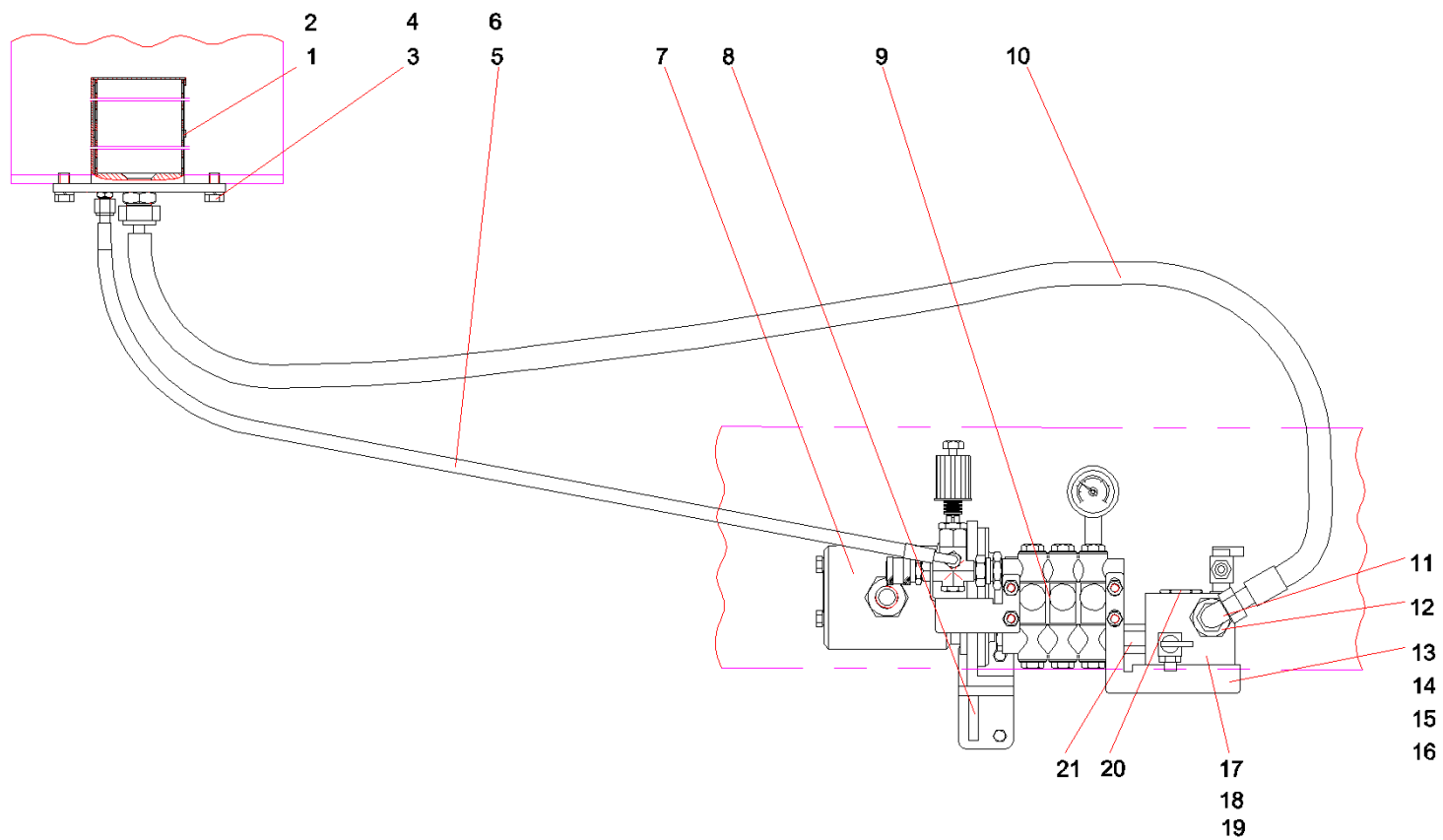
Item No.	Part No.	Description	Qty.	Remark
65	B210780000099	Connector, pipe	4	
67	B210780000024	Connector, pipe	8	
68	B210780000037	Connector, pipe	4	
72	A810201024337	Pipe, oil	1	
73	12738694	Pipe, oil	2	
74	12733458	Pipe, oil	1	
75	12734372	Pipe, oil	2	
77	60210214	Hose, rubber	1	
81	B210780000015	Connector, pipe	7	
84	12734240	Pipe, oil	1	
89	11805687	Sleeve, protective, rubber hose, plastic	1	
91	60186836	Connector, filter	5	
92	60186837	Connector, filter	4	
94	B230103003877	Hose, rubber	1	
100	B210780000177	Connector, pipe	6	
105	12638409	Clamp	7	
106	12638380	Clamp	17	
108	60196984	Hoop	2	
109	60196981	Hoop	1	



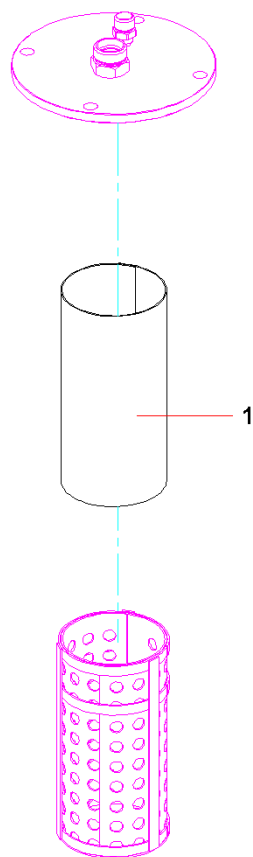
Item No.	Part No.	Description	Qty.	Remark
1	60199801	Radiator	1	
2	B210780000131	Connector, pipe	2	
3	B210780000200	Connector, pipe	2	
4	60160499	Motor, gear	1	
5	A210204000184	Screw	2	
6	A210405000007	Washer	4	
7	A210401000017	Washer	4	
8	12302980	Plate, backup	2	
9	A210401000001	Washer	8	
10	A210111000297	Bolt	8	
11	A210405000011	Washer	8	
12	A210314000008	Nut	2	



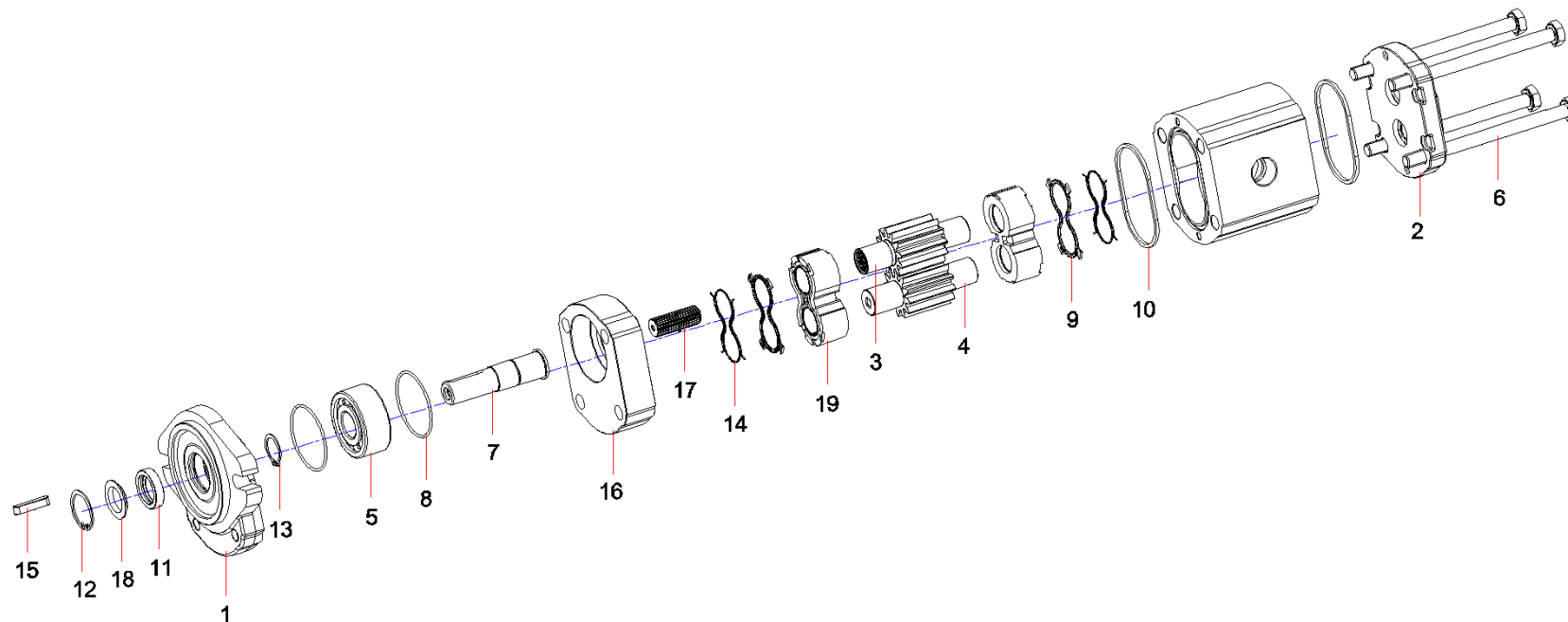
Item No.	Part No.	Description	Qty.	Remark
1	60107677	Ring, seal	1	



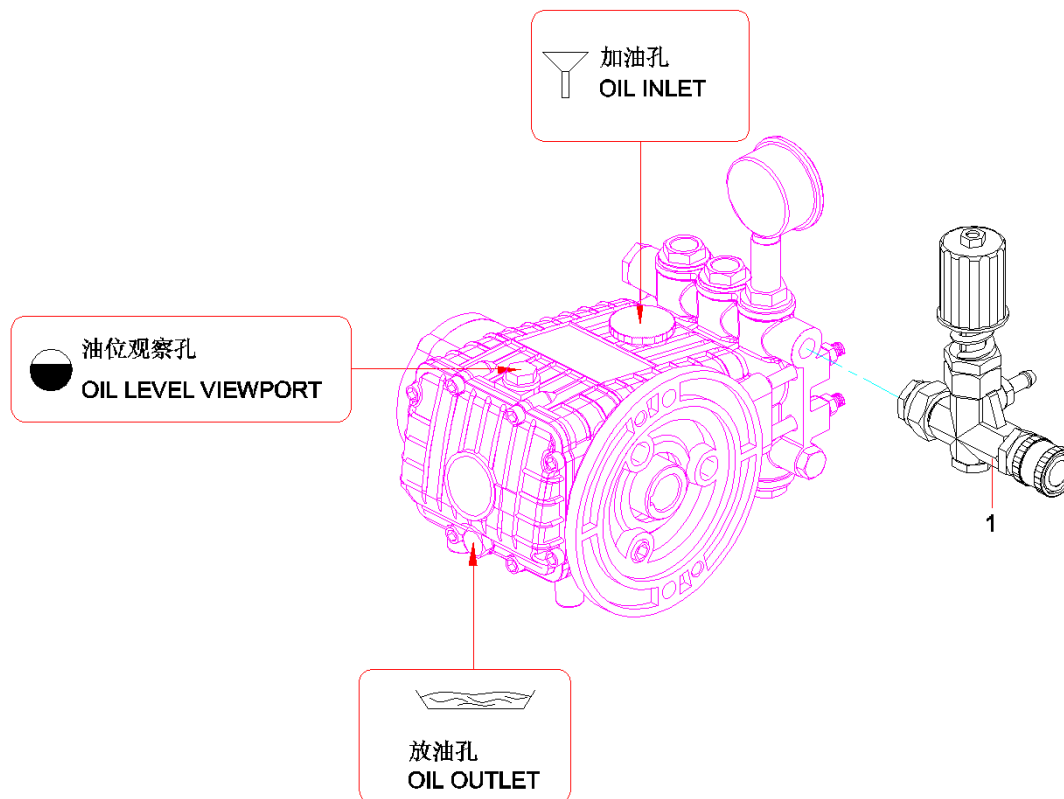
Item No.	Part No.	Description	Qty.	Remark
1	11352544	Filter	1	
2	A210608000307	O-ring	1	
3	A210111000011	Bolt	8	
4	A210401000001	Washer	8	
5	B210780000636	Connector, pipe	1	
6	B230103003857	Hose, rubber	1	
7	B220501000269	Motor, gear	1	
8	10504141	Seat	1	
9	A220302000023	Pump, water	1	
10	B230103003978	Hose, rubber	1	
11	B210780001310	Connector, pipe	1	
12	A820205000198	Body, connector, oil, inlet and outlet, motor	1	
13	12499420	Frame, fixed	1	
14	A210204000146	Screw	4	
15	A210405000007	Washer	4	
16	A210401000017	Washer	4	
17	12490805	Block, valve, transition	1	
18	12495395	Plug	1	
19	60189121	Valve, ball	2	
20	12495394	Connector, transition	1	
21	12498681	Connector, transition	1	



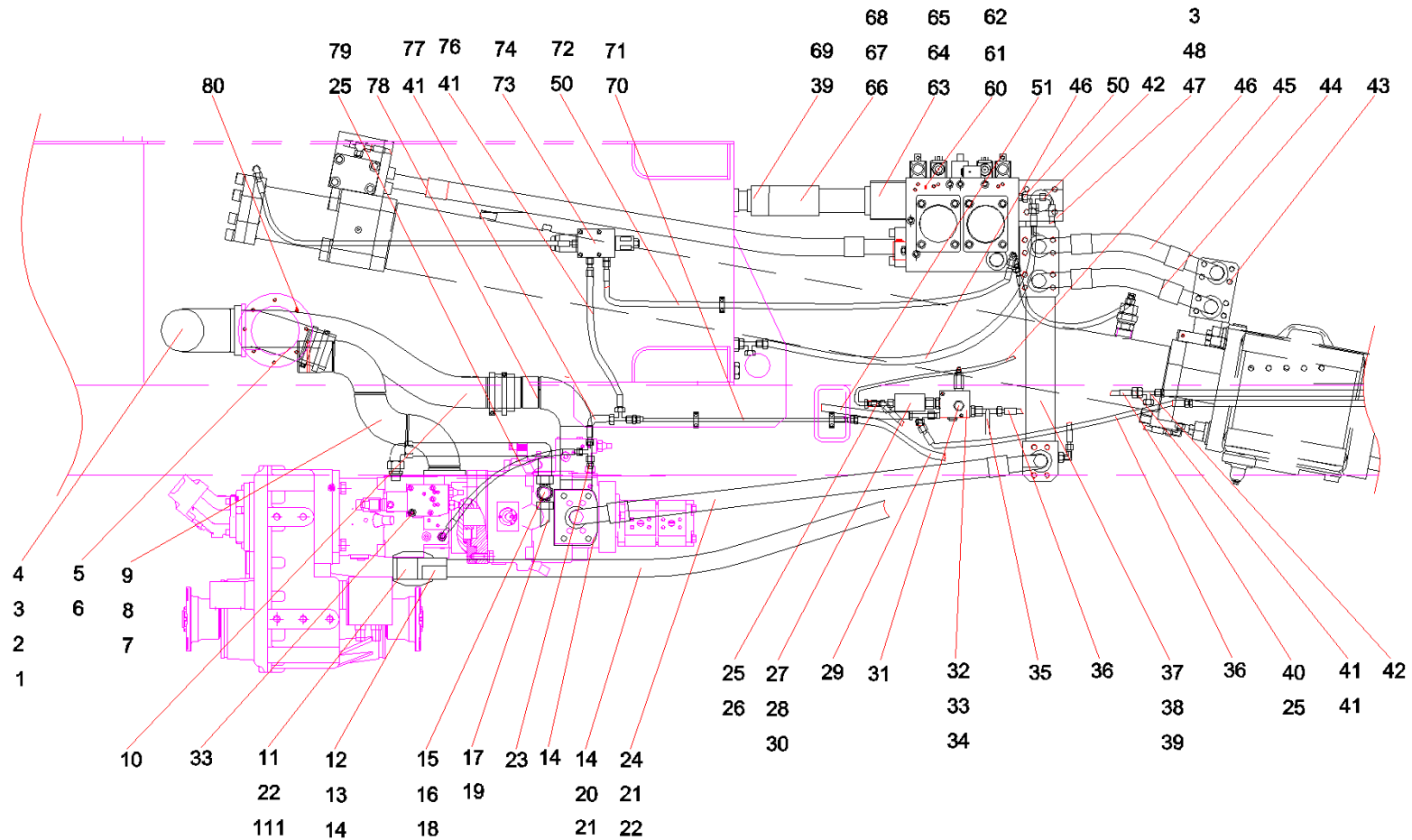
Item No.	Part No.	Description	Qty.	Remark
1	A829900002898	Net	1	



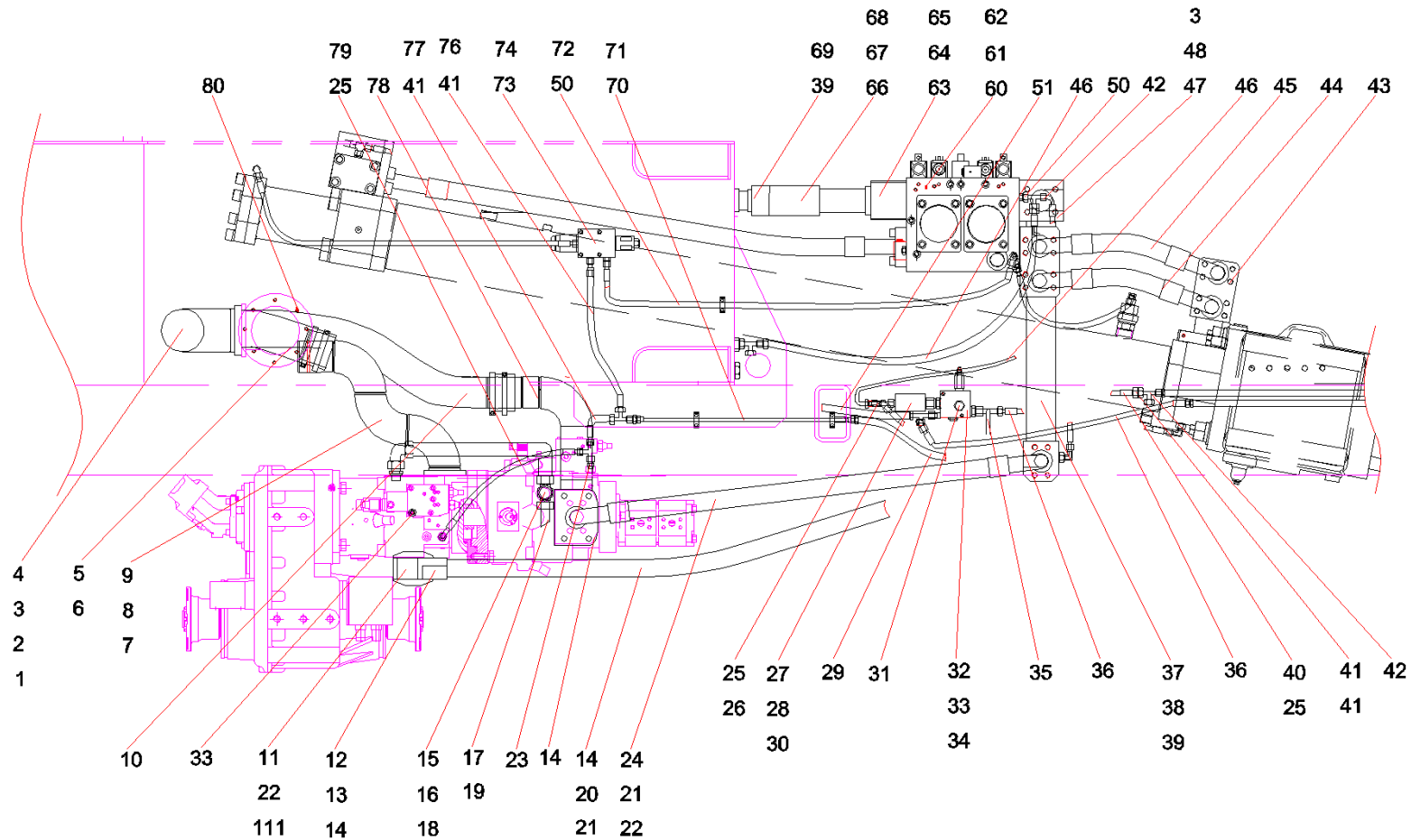
Item No.	Part No.	Description	Qty.	Remark
1	60107554	Cover, front	1	
2	60107625	Cover, rear	1	
3	60107578	Gear, driving	1	
4	60107577	Gear, driving	1	
5	60123686	Bearing, ball	1	
6	21008534	Screw	4	
7	60107662	Washer, backup	1	
8	60107673	O-ring	2	
9	60107645	Device, sealing	2	
10	60107544	Sealing, square	2	
11	60107677	Ring, seal	1	
12	60107547	Ring	1	
13	60107546	Ring	1	
14	60107617	Flange	2	
15	60107658	Pin	1	
16	60107616	Flange	1	
17	60107627	Shaft, connecting, spline	1	
18	60107661	Washer, backup	1	
19	60107663	Rod, supporting	2	



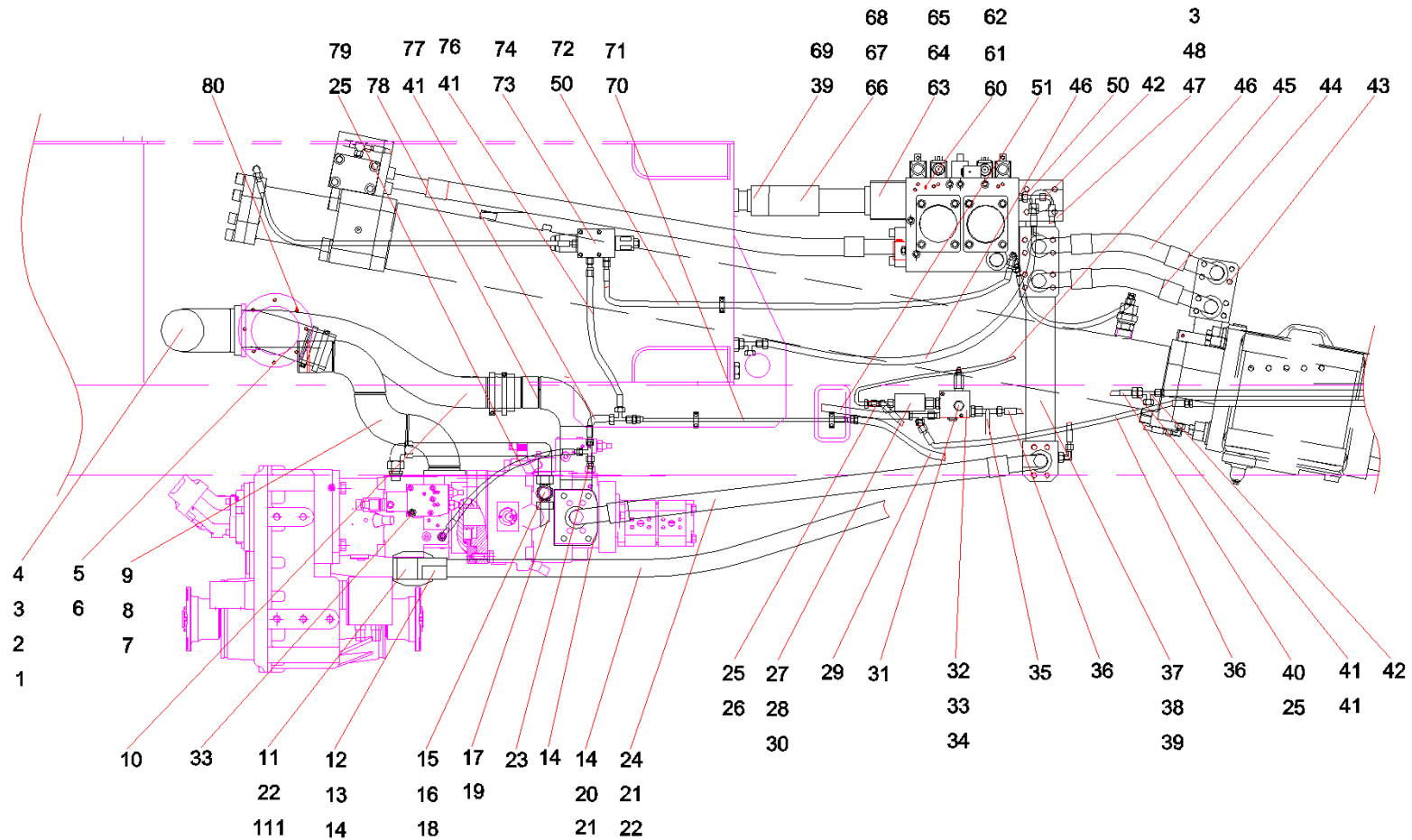
Item No.	Part No.	Description	Qty.	Remark
1	60128486	Pressure, regulating, valve GP	1	



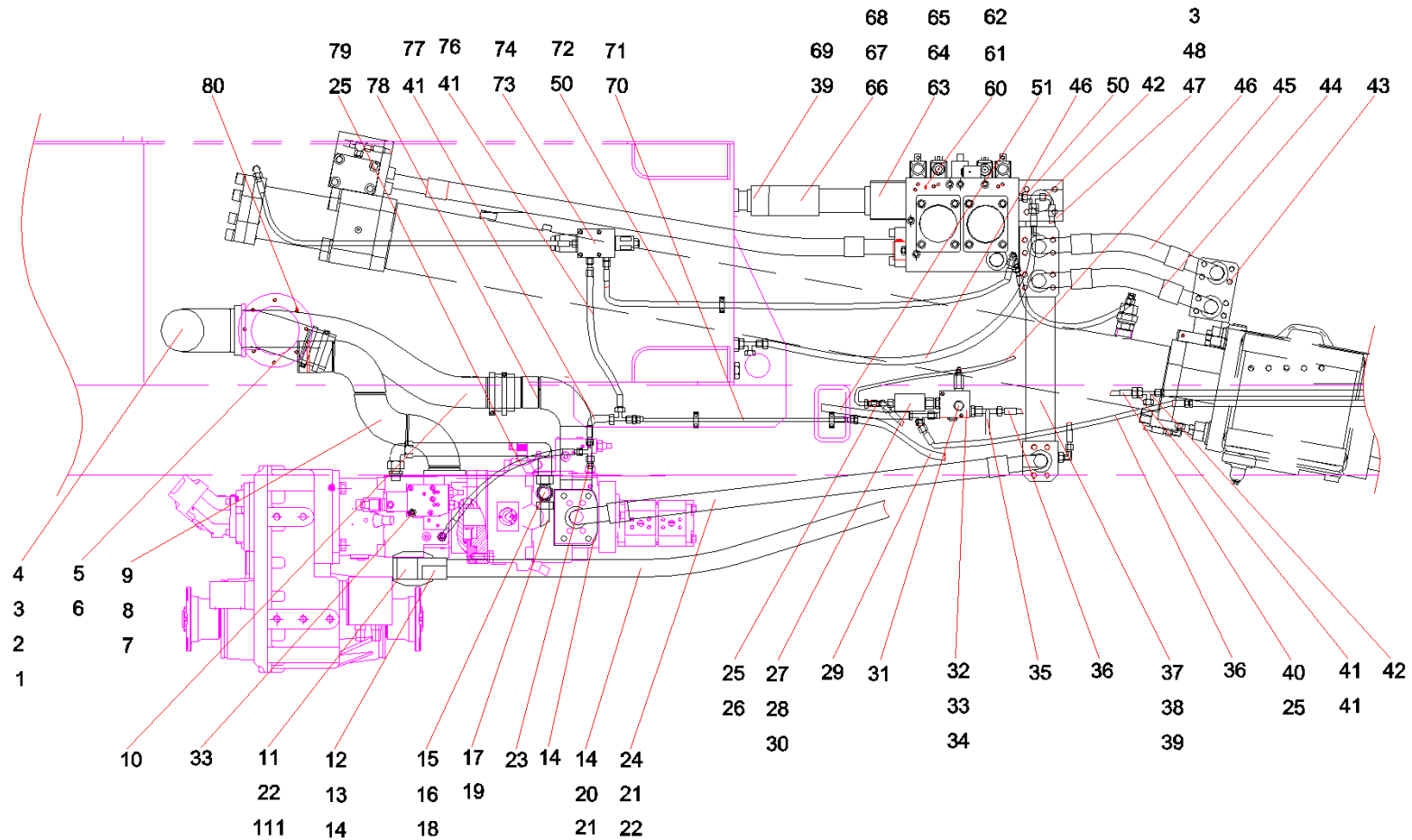
Item No.	Part No.	Description	Qty.	Remark
1	12827522	Pipe, oil intake, main	1	
2	A820606020349	Plate, rubber	1	
3	A210204000203	Screw	20	
4	A210401000004	Washer	32	
5	10796885	Hose, rubber, oil, suction	1	
6	A229900001659	Hoop, T-type	8	
7	12827514	Pipe, steel, oil inlet, main pump	1	
8	A210111000112	Bolt	8	
9	A820606020010	Plate, rubber	2	
10	10932914	Hose, rubber, oil suction	1	
11	A820205001923	Plug, screw	3	
12	11699665	Flange, oil outlet, pump	1	
13	A210204000232	Screw	4	
14	B230101000244	O-ring	17	
15	B210780000052	Connector, pipe	2	
16	B210780001225	Connector, pipe	1	
17	B210780000838	Connector, pipe	3	
18	B230103000410	Hose, rubber	1	
19	B230103001497	Hose, rubber	1	
20	60211087	Hose, rubber	1	
21	B210780000005	Flange, SAE	32	
22	21005036	Screw	40	



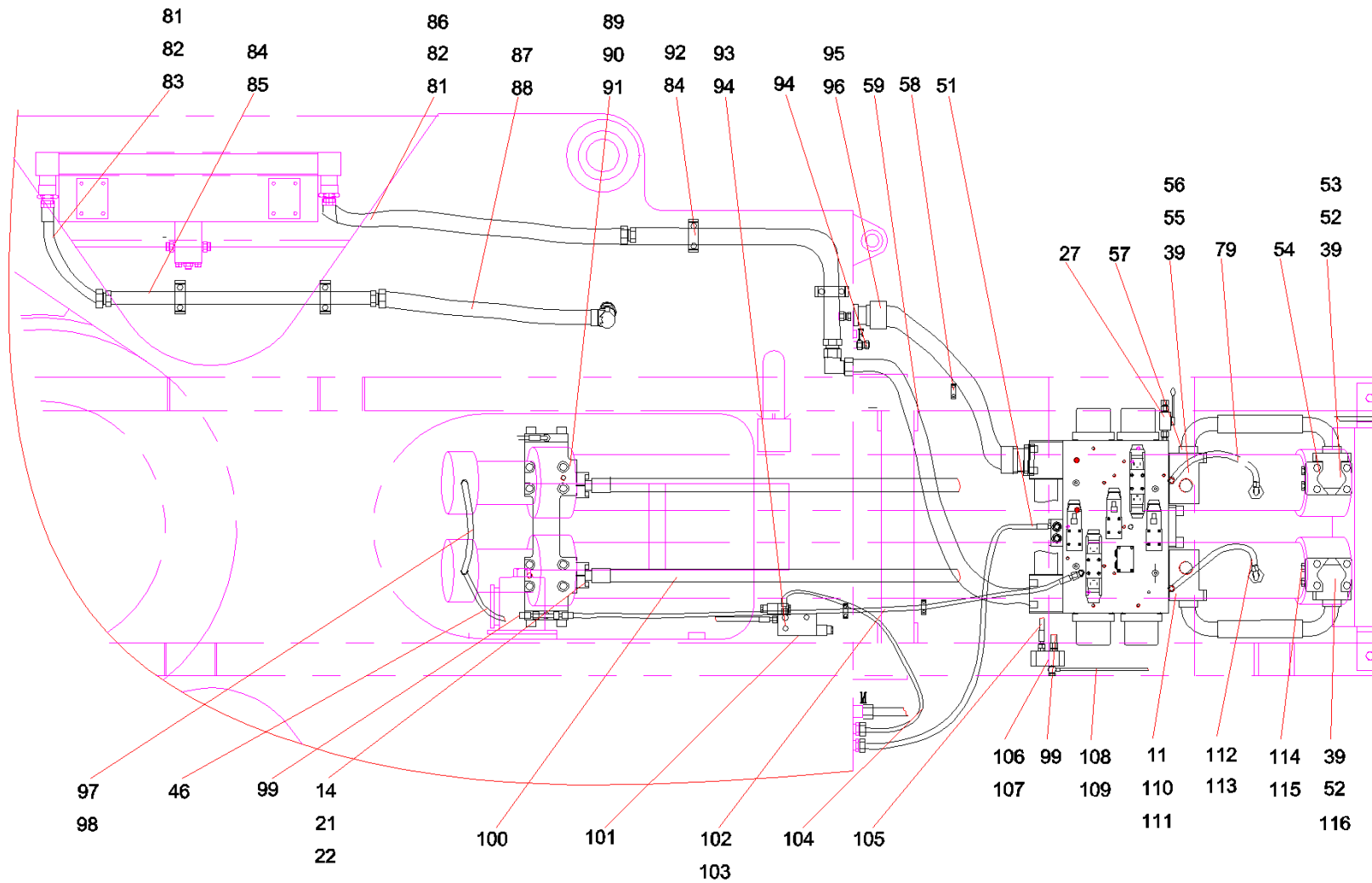
Item No.	Part No.	Description	Qty.	Remark
23	A820205001372	Body, connector	2	
24	60211088	Hose, rubber	1	
25	B210780000015	Connector, pipe	10	
26	60185722	Connector, filter	1	
27	A220401000753	Valve, ball	2	
28	B210780000012	Connector, pipe	1	
29	B230103004190	Hose	1	
30	A229900002434	Connector, straight-through	2	
31	11036715	Pipe, drainage, waterproof	1	
32	60056959	Valve, waterproof	1	
33	B210780001749	Connector, pressure measuring	3	
34	A210204000138	Screw	2	
35	60019596	Hose, rubber	1	
36	B230103003933	Hose, rubber	2	
37	11736244	Pipe, steel, oil inlet, main valve	1	
38	60118458	Screw	5	
39	A210609000134	O-ring	11	
40	60156805	Hose, rubber	1	
41	B210780000683	Connector, pipe	4	
42	B210780000016	Connector, pipe	3	
43	A210204000312	Screw	16	
44	60211085	Hose, rubber	2	



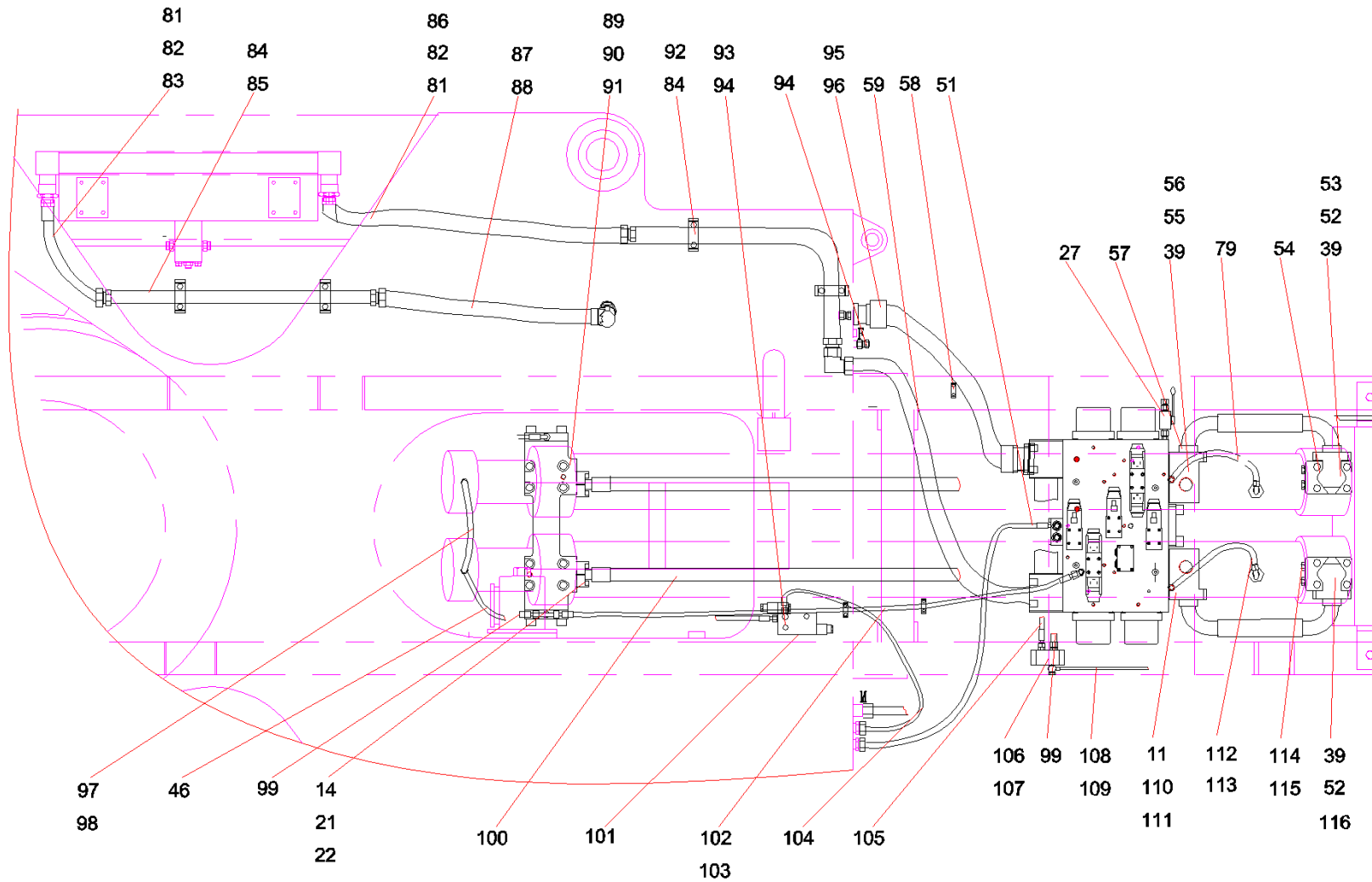
Item No.	Part No.	Description	Qty.	Remark
45	60211084	Hose, rubber	2	
46	B230103003967	Hose, rubber	3	
47	11706283	Plate, cover, oil inlet flange	1	
48	A210609000131	O-ring	1	
50	B210780000232	Connector, pipe	2	
51	B230103003916	Hose, rubber	2	
60	12631931	Valve GP, main	1	
61	A210204000158	Screw	4	
62	B210780000036	Connector, pipe	20	
63	A210204000031	Screw	8	
64	12617778	Flange, oil return, main valve	1	
65	A210401000002	Washer	12	
66	60211050	Hose, rubber	1	
67	A210204000022	Screw	8	
68	60024155	Flange, SAE	4	
69	A210204000023	Screw	4	
70	12757687	Pipe, oil	1	
71	60014673	Body, clamp	2	
72	B230103006043	Hose, rubber	1	
73	A210204000141	Screw	4	
74	11136884	Valve GP, control, oil cylinder	1	
76	B230103007726	Hose, rubber	1	



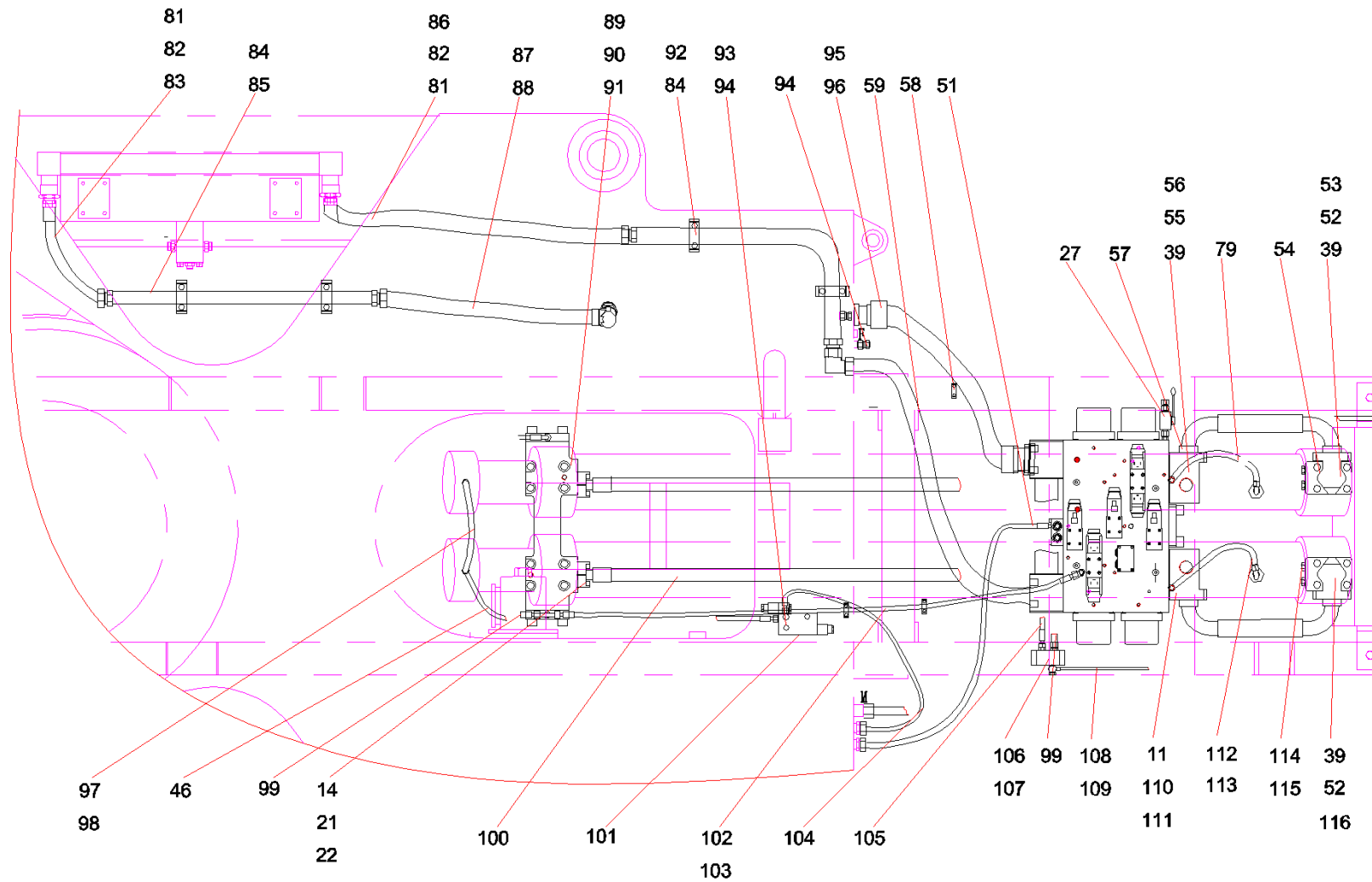
Item No.	Part No.	Description	Qty.	Remark
77	B230103003876	Hose, rubber	1	
78	12827518	Pipe, steel, oil inlet, main pump	1	
79	B230103003875	Hose, rubber	3	
80	A210204000337	Screw	10	
111	A210609000060	O-ring	3	



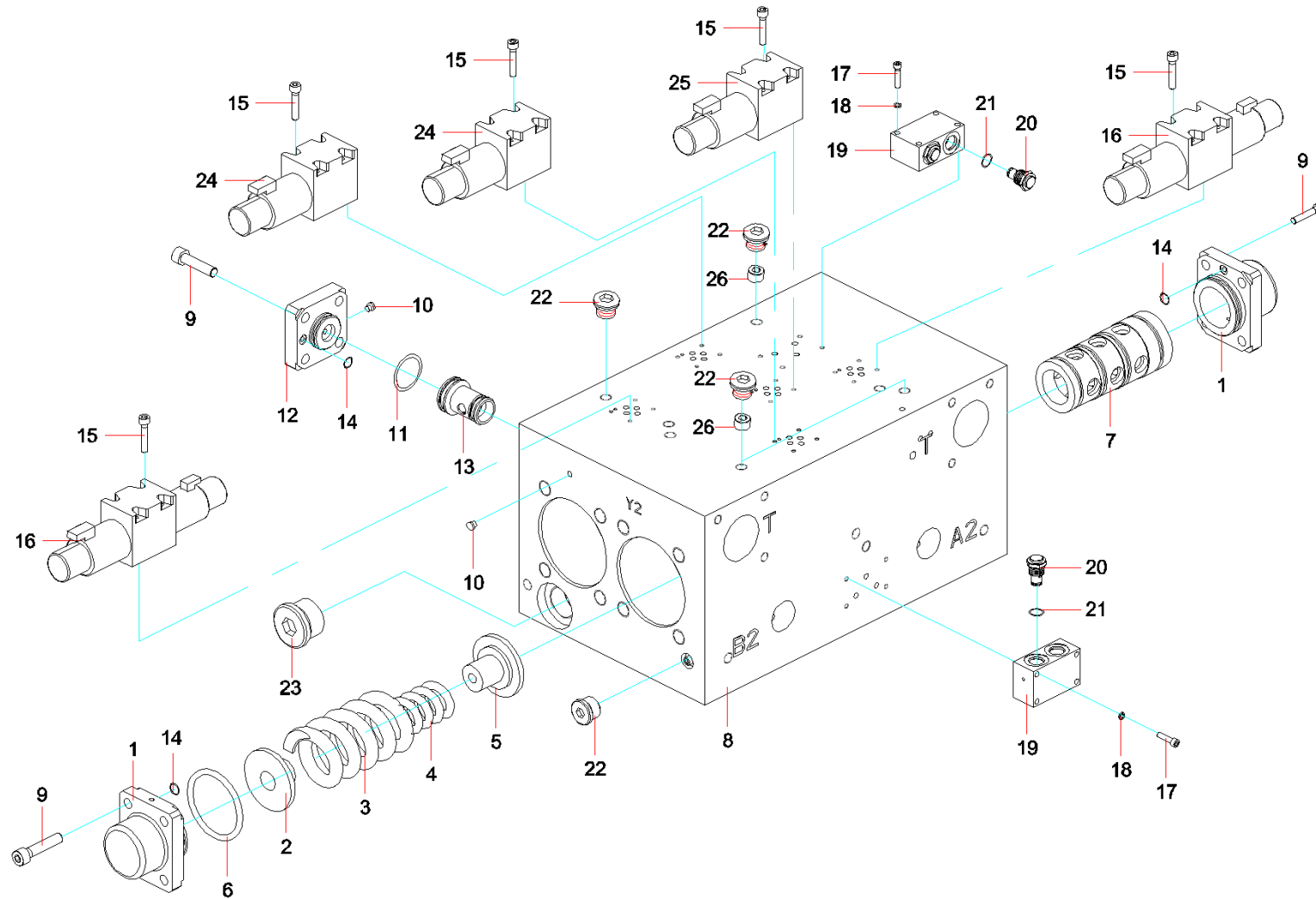
Item No.	Part No.	Description	Qty.	Remark
11	A820205001923	Plug, screw	3	
14	B230101000244	O-ring	17	
21	B210780000005	Flange, SAE	32	
22	21005036	Screw	40	
27	A220401000753	Valve, ball	2	
39	A210609000134	O-ring	11	
46	B230103003967	Hose, rubber	3	
51	B230103003916	Hose, rubber	2	
52	A210204000216	Screw	8	
53	11766505	Flange, rod side chamber, right oil cylinder	1	
54	A230101000264	O-ring	2	
55	60090922	Screw	8	
56	11703601	Flange, rod side chamber, right	1	
57	A210204000469	Screw	16	
58	60014674	Body, pipe clamp	1	
59	60211051	Hose, rubber	1	
79	B230103003875	Hose, rubber	3	
81	B210780000200	Connector, pipe	2	
82	21050783	Connector, pipe	2	
83	B230103005752	Hose, rubber	1	
84	60023941	Body, clamp	4	
85	12757804	Pipe, steel, oil, return, air cooling	1	



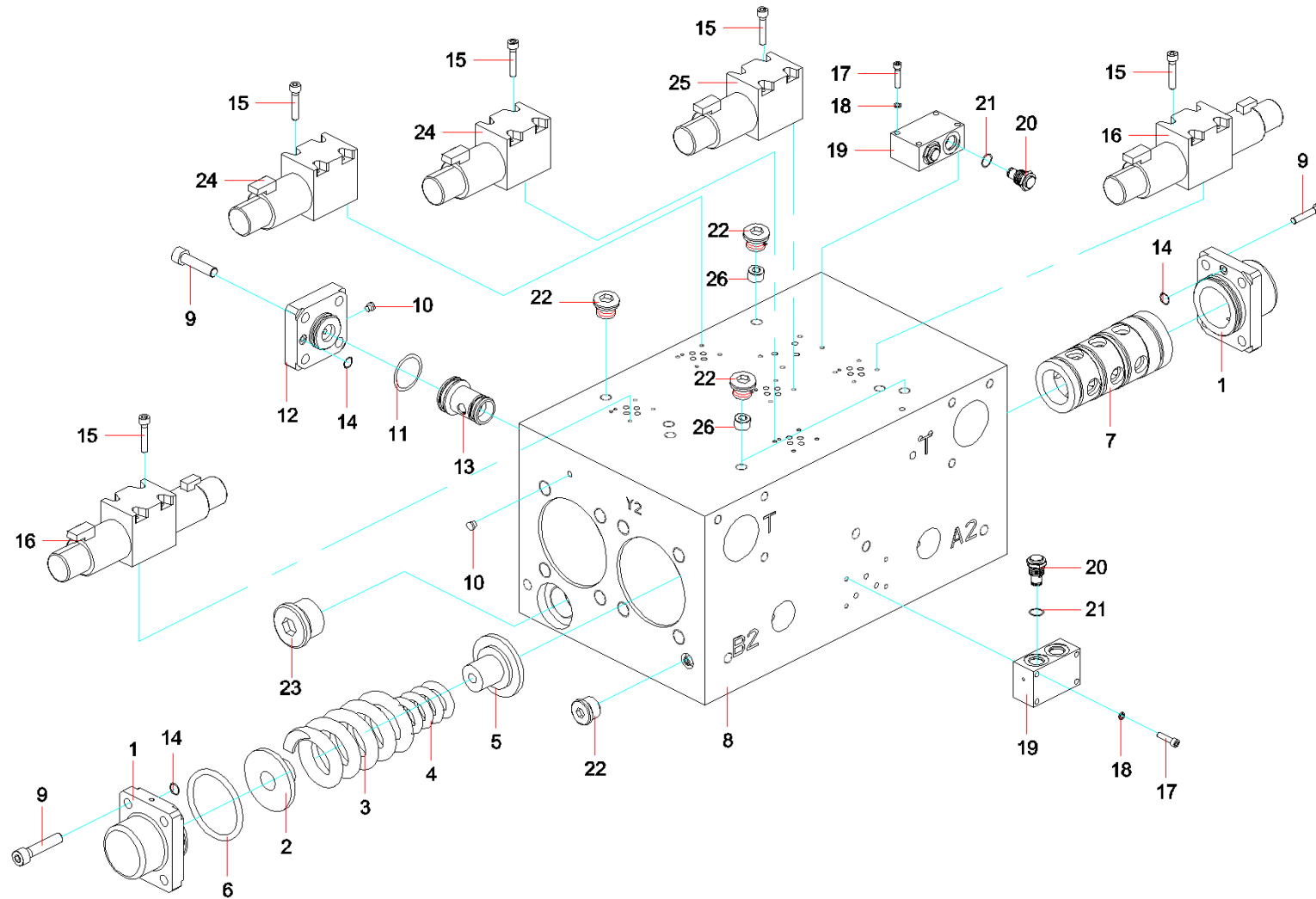
Item No.	Part No.	Description	Qty.	Remark
86	B230103005121	Hose, rubber	1	
87	B210780001733	Connector, pipe	1	
88	B230103000427	Hose, rubber	1	
89	A210609000166	O-ring	2	
90	A210204000250	Screw	8	
91	11737448	Valve, connecting, oil cylinder	1	
92	12827368	Pipe, steel	1	
93	21008727	Fitting, pipe	1	
94	B210780001404	Connector, pipe	2	
95	12632799	Oil return flange components	1	
96	60196689	Valve, one-way	1	
97	B210780000631	Connector, pipe	3	
98	A832313030000	Pipe, rubber	1	
99	B230103000474	Hose, rubber	2	
100	60161194	Hose, rubber	2	
101	11300142	Cover, waterproof, valve GP, control, oil cylinder	1	
102	B230103003026	Hose, rubber	1	
103	60014675	Body, pipe clamp	2	
104	B230103004202	Hose, rubber	1	
105	B230103003857	Hose, rubber	1	
106	A810201020910	Pressure gauge valve group	1	
107	A210204000146	Screw	4	



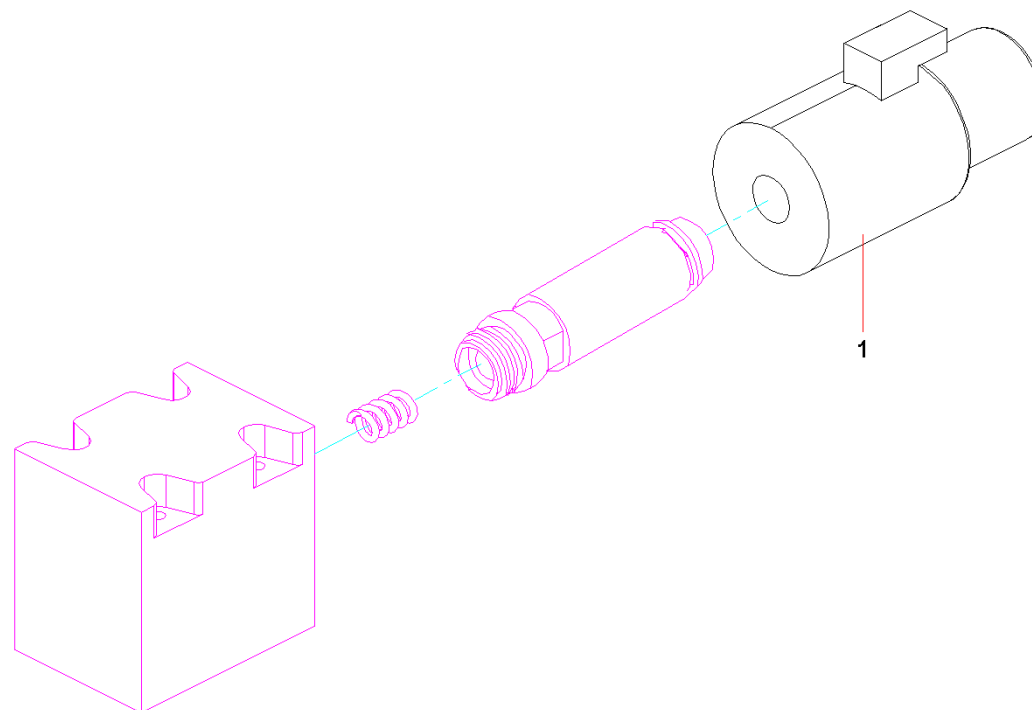
Item No.	Part No.	Description	Qty.	Remark
108	B250202000006	Gauge, pressure	1	
109	60209257	Pipe, pressure measuring	1	
110	11703604	Flange, rod side chamber, left	1	
111	A210609000060	O-ring	3	
112	A820205000005	Connector, pipe, U-shaped	2	
113	B220400000101	Valve, one-way	2	
114	B210780000164	Plug, screw	4	
115	B210399000003	Plug, screw	4	
116	11766437	Flange, rod side chamber, left oil cylinder	1	



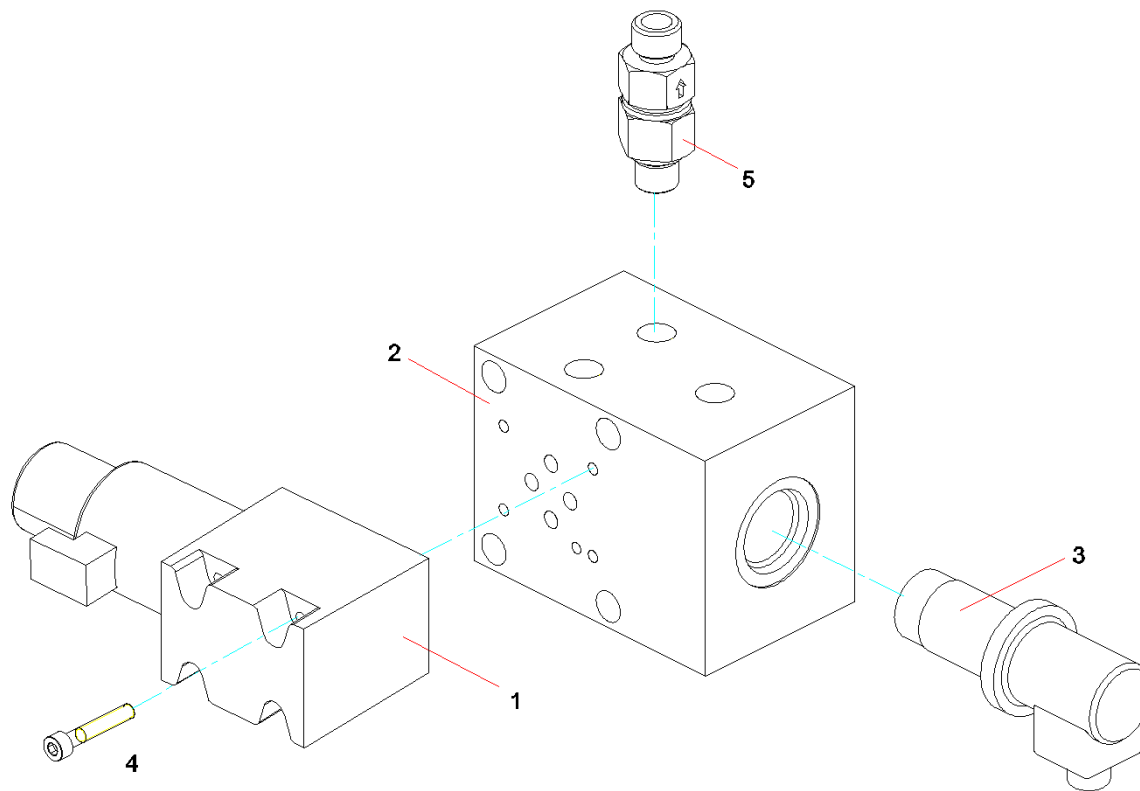
Item No.	Part No.	Description	Qty.	Remark
1	11706149	Cover, end, main valve	4	
2	11706252	Seat, spring, main valve	4	
3	11696354	Spring, outside main valve	4	
4	11696295	Spring, inside main valve	4	
5	12817141	Seat, spring, main valve	4	
6	A210609000144	O-ring	4	
7	12630641	Valve component	4	
8	11650337	Valve body, main	1	
9	A210204000057	Screw	20	
10	B210399000003	Plug, screw	32	
11	A210609000165	O-ring	1	
12	11707103	Plate, cover, cartridge valve	1	
13	A810201062559	Insert, core, standard	1	
14	B230101000677	O-ring	5	
15	A210204000119	Screw	20	
16	60059724	Valve, electromagnetic	2	
17	A210204000235	Screw	8	
18	A210401000016	Washer	8	
19	A820103010151	Body, valve, shuttle	2	
20	B220400000072	Valve, one-way	4	
21	A230101000264	O-ring	6	
22	B210780000201	Plug, screw	22	



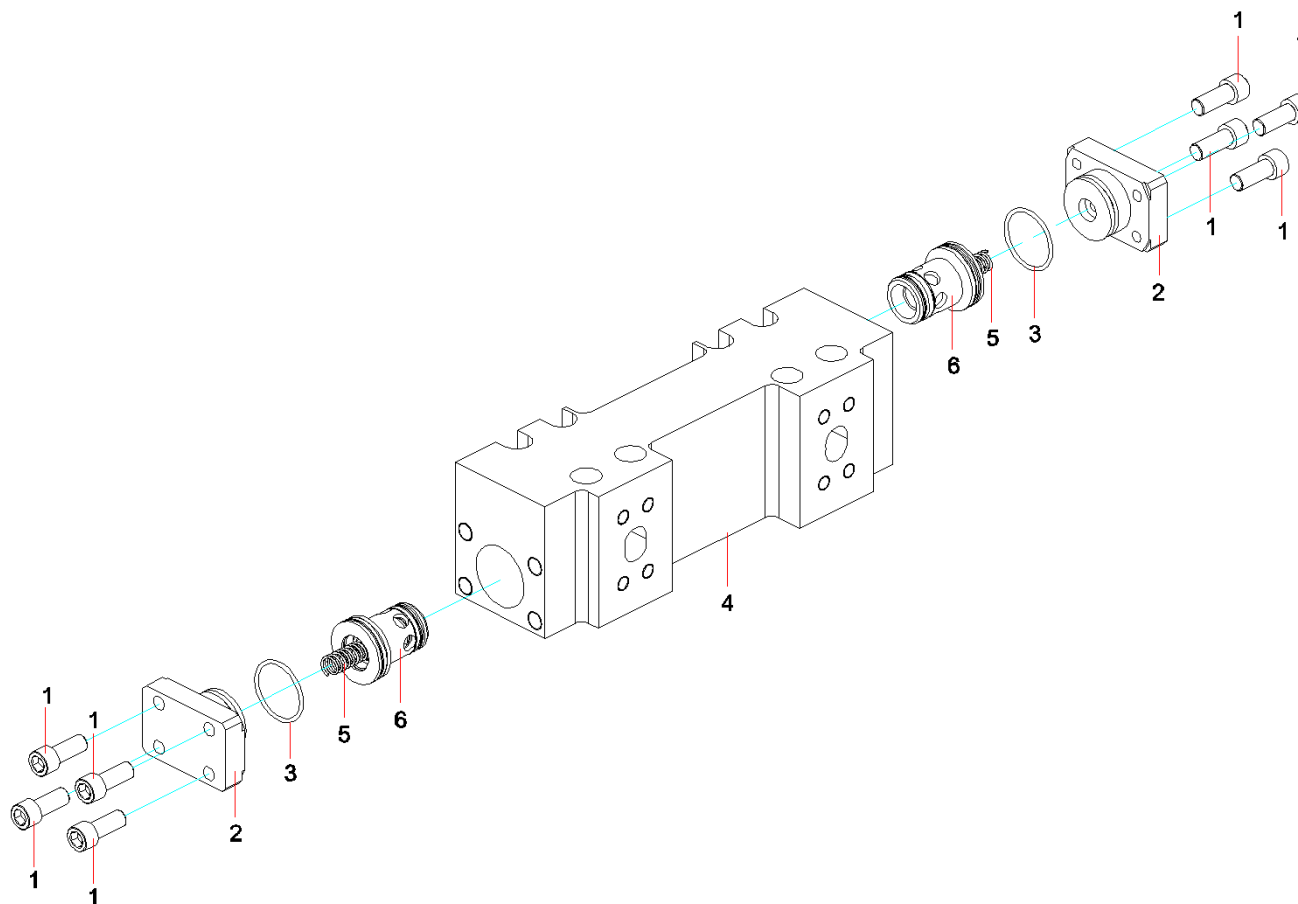
Item No.	Part No.	Description	Qty.	Remark
23	A820205001923	Plug, screw	2	
24	60101641	Valve, electromagnetic	2	
25	60059726	Valve, electromagnetic	1	
26	11872050	Plug, damping	2	



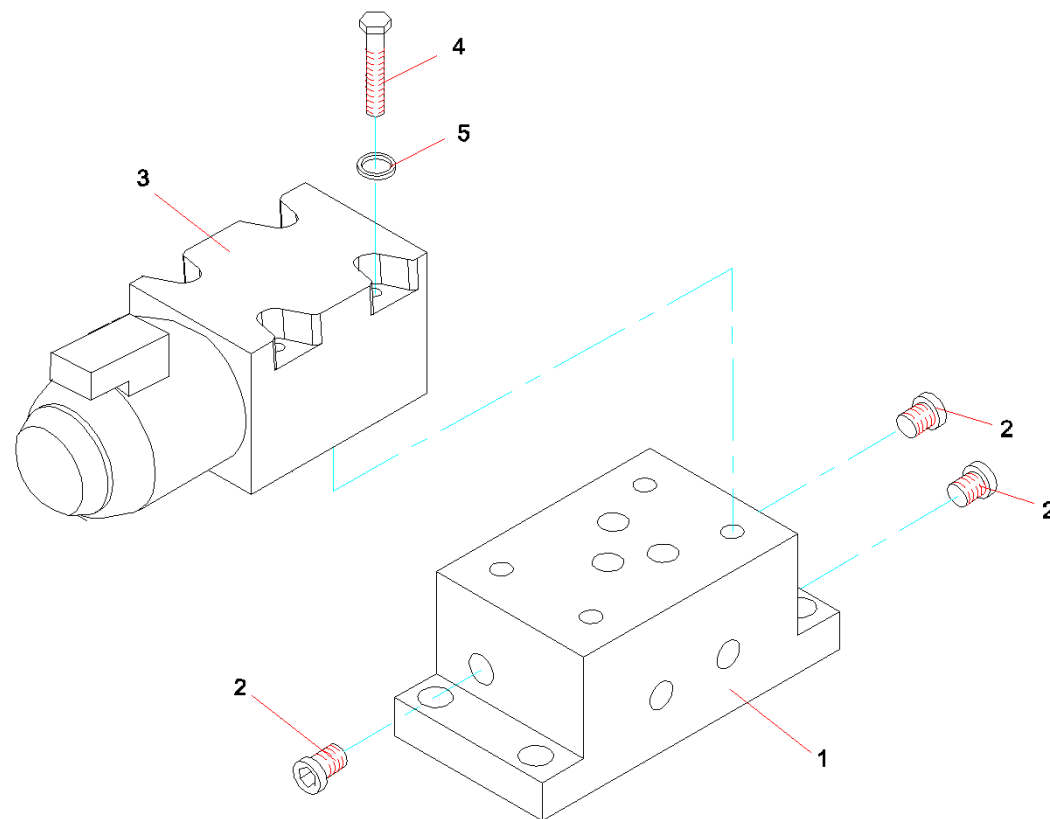
Item No.	Part No.	Description	Qty.	Remark
1	60118389	Coil, solenoid valve	1	



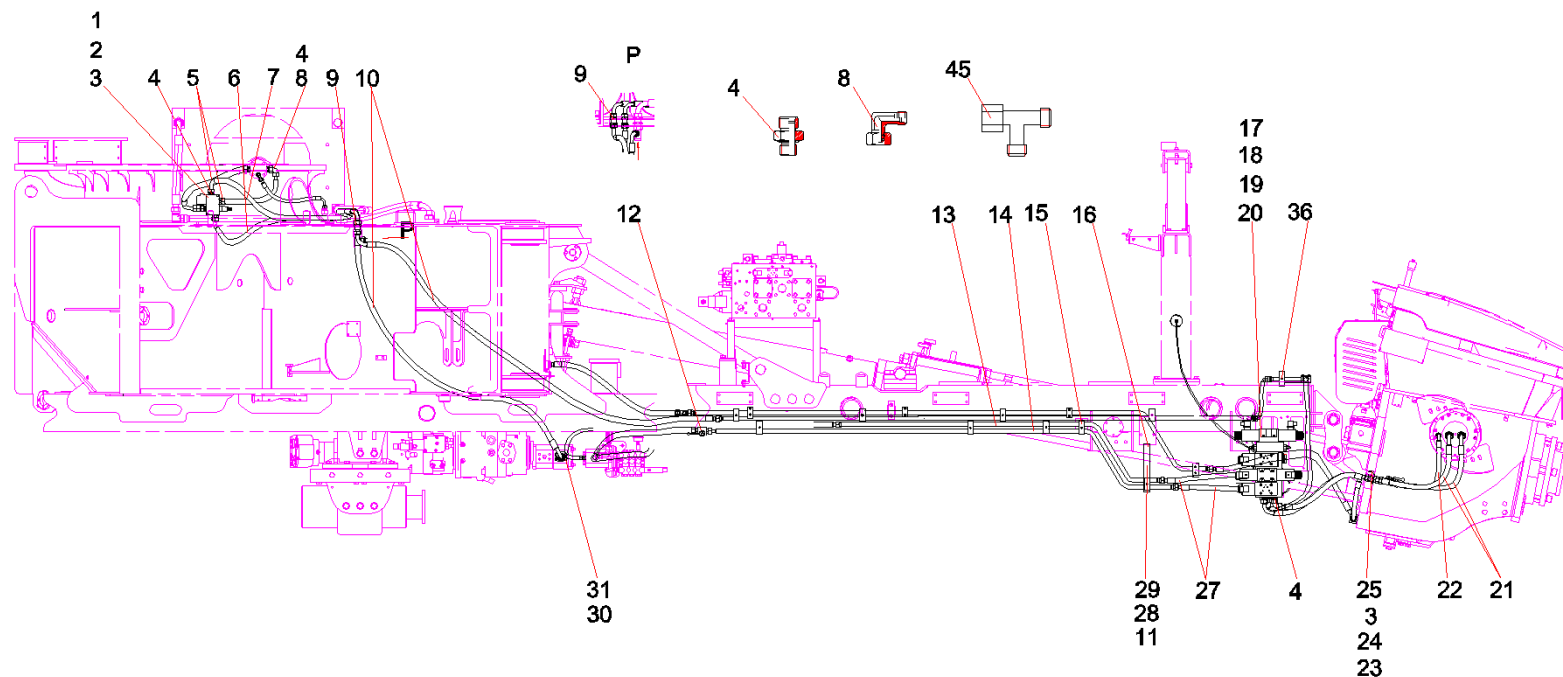
Item No.	Part No.	Description	Qty.	Remark
1	60059726	Valve, electromagnetic	1	
2	11132462	Block, control valve, oil cylinder	1	
3	B220401000537	Valve, reversing, electromagnetic	1	
4	A210204000119	Screw	4	
5	B220401000219	Valve, one-way	1	



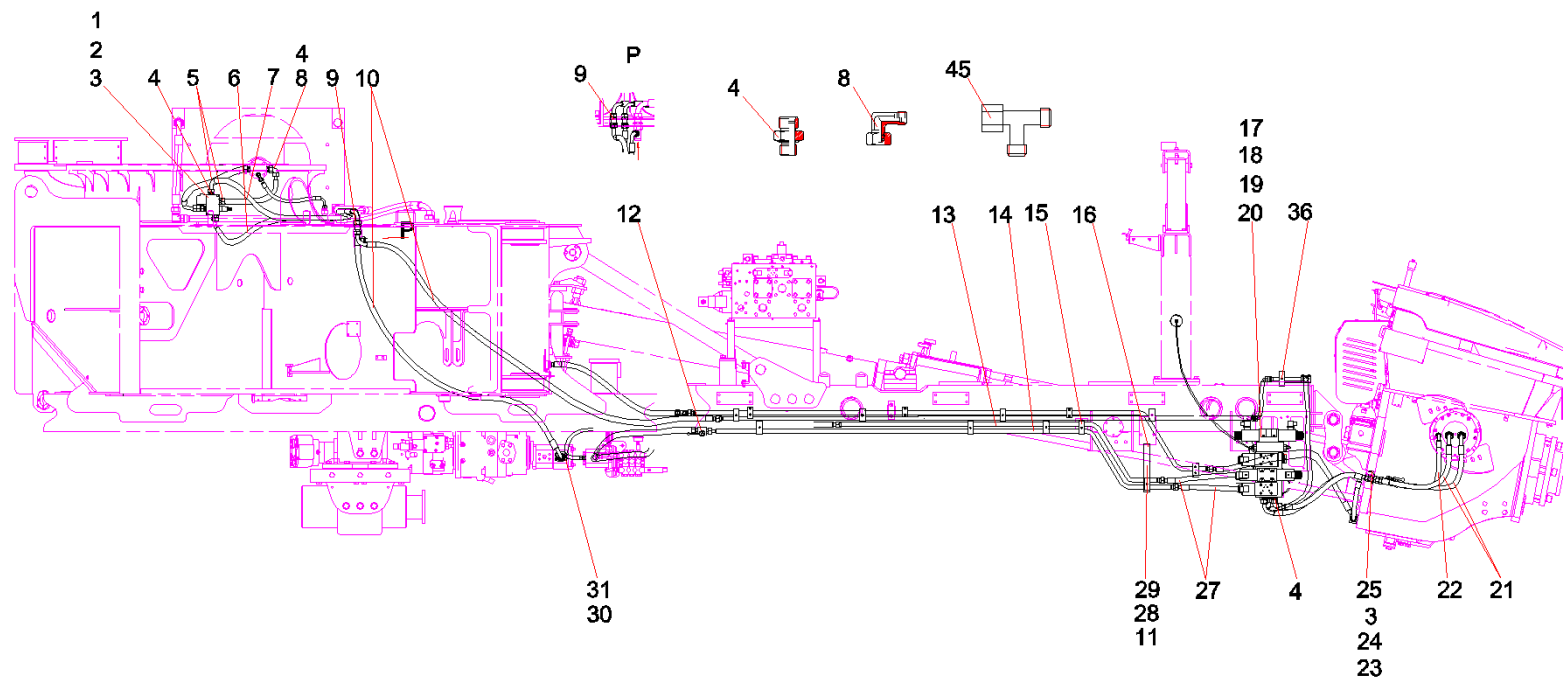
Item No.	Part No.	Description	Qty.	Remark
1	A210204000057	Screw	8	
2	11706258	Plate, cover, check valve	2	
3	A210609000079	O-ring	2	
4	11701629	Block, connecting valve, oil cylinder	1	
5	11696403	Spring, one-way valve	2	
6	12004486	Spool GP, one-way valve	2	



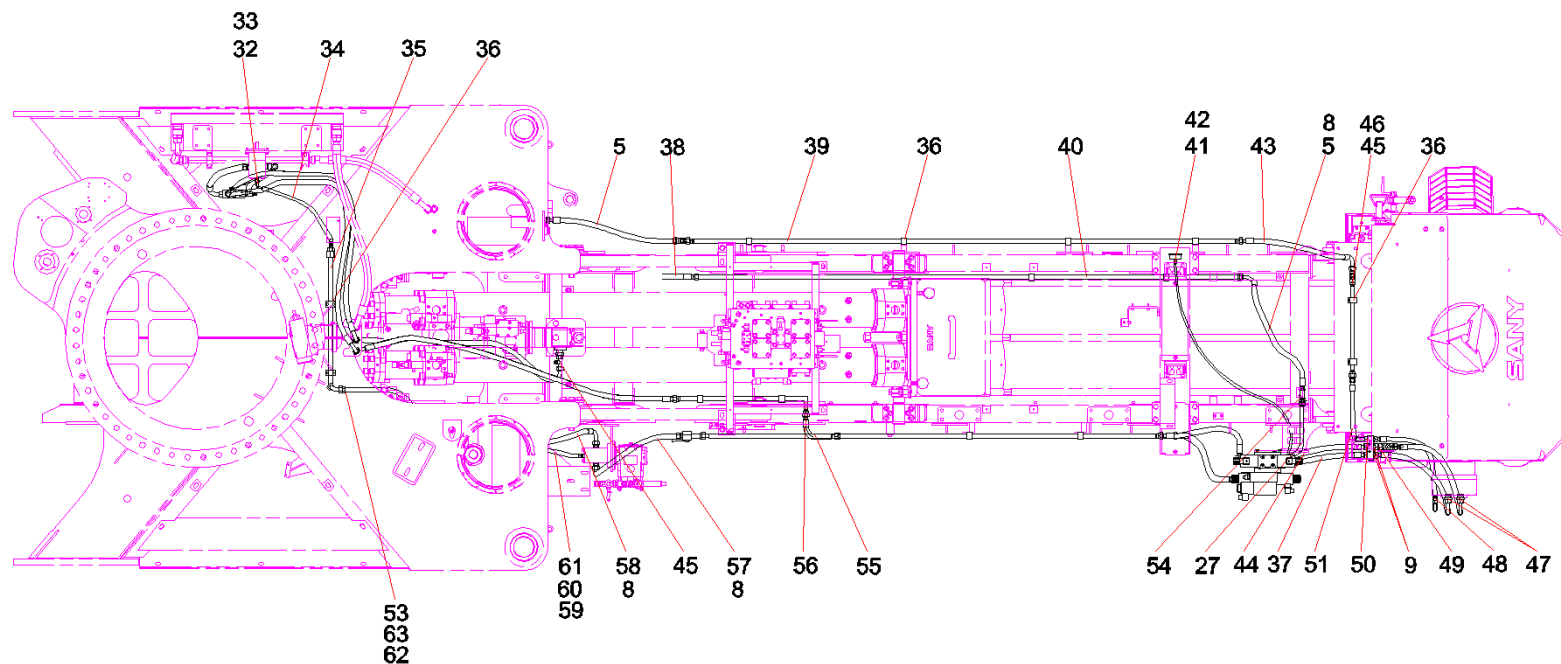
Item No.	Part No.	Description	Qty.	Remark
1	A820103010275	Block, valve, pressure gauge	1	
2	A210342000002	Plug, screw	3	
3	60059726	Valve, electromagnetic	1	
4	A210204000119	Screw	4	
5	A210401000015	Washer	4	



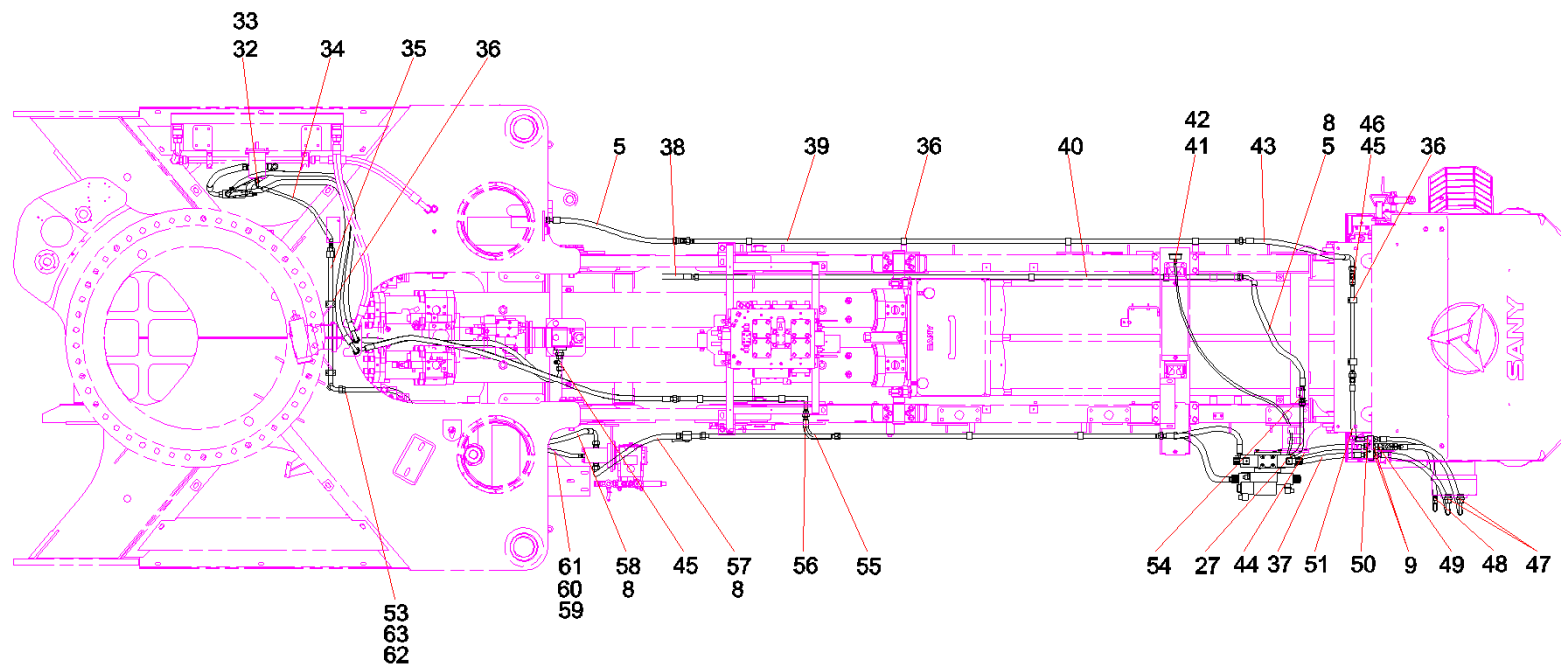
Item No.	Part No.	Description	Qty.	Remark
1	A810201021318	Valve GP, change	1	
2	A210108000092	Bolt	2	
3	A210401000017	Washer	4	
4	B210780000131	Connector, pipe	14	
5	B230103000396	Hose, rubber	4	
6	B230103000388	Hose, rubber	1	
7	B230103000393	Hose, rubber	1	
8	B210780001310	Connector, pipe	9	
9	B210780000157	Connector, pipe	4	
10	60013369	Hose, rubber	2	
11	A210405000006	Washer	2	
12	60050358	Valve, ball (red handle)	2	
13	12843235	Pipe, steel, oil inlet, auxiliary valve	1	
14	12843173	Pipe, steel, oil inlet, water pump	1	
15	60014674	Body, pipe clamp	6	
16	12682201	Support, clamp	1	
17	A210405000011	Washer	8	
18	A810201023032	Group, valve, auxiliary	1	
19	A210111000018	Bolt	8	
20	A210401000001	Washer	8	
21	B230103003978	Hose, rubber	2	
22	B230103000350	Hose, rubber	1	



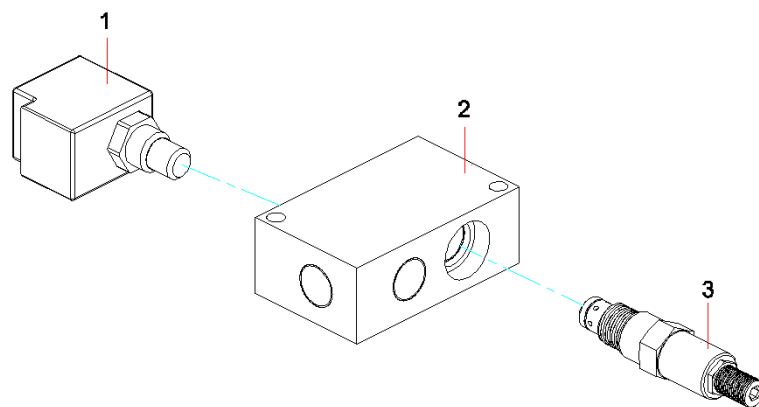
Item No.	Part No.	Description	Qty.	Remark
23	12638346	Plate, mounting	1	
24	A210204000147	Screw	2	
25	A210405000007	Washer	4	
27	B230103000390	Hose, rubber	3	
28	A210204000135	Screw	2	
29	A210401000016	Washer	2	
30	A210204000181	Screw	4	
31	24001084	Flange, SAE	1	
36	60014675	Body, pipe clamp	13	
45	B210780001007	Connector, pipe	2	



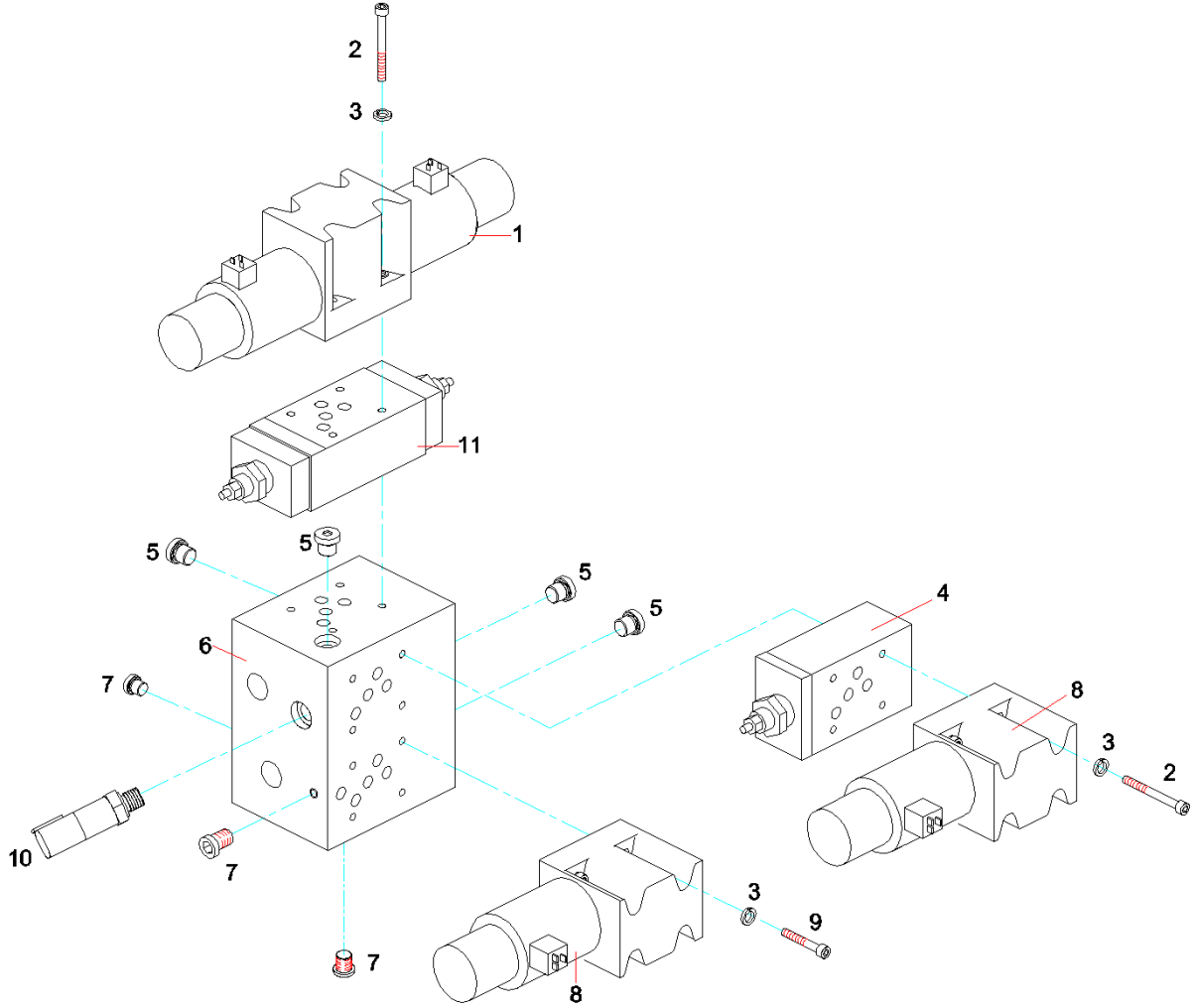
Item No.	Part No.	Description	Qty.	Remark
5	B230103000396	Hose, rubber	4	
8	B210780001310	Connector, pipe	9	
9	B210780000157	Connector, pipe	4	
27	B230103000390	Hose, rubber	3	
32	B210780000232	Connector, pipe	2	
33	B210780000024	Connector, pipe	2	
34	B230103003857	Hose, rubber	1	
35	12843267	Pipe, steel, oil drain, mixing system	1	
36	60014675	Body, pipe clamp	13	
37	B230103000394	Hose, rubber	1	
38	A832613125000	Hose, rubber	1	
39	12843250	Pipe, steel, oil drain, mixing system	1	
40	12843370	Pipe, steel, oil return, auxiliary valve	1	
41	B250202000005	Gauge, pressure	1	
42	B230103007358	Pipe, pressure measuring	1	
43	B230103000397	Hose, rubber	1	
44	B230103003511	Hose, rubber	1	
45	B210780001007	Connector, pipe	2	
46	10909558	Pipe, steel, oil drain, mixing motor	1	
47	A820205000198	Body, connector, oil, inlet and outlet, motor	2	
48	A820205000197	Body, connector, oil, drain, motor	1	
49	B210780001394	Connector, pipe	1	



Item No.	Part No.	Description	Qty.	Remark
50	B210780000245	Connector, pipe	1	
51	B230103001231	Hose, rubber	1	
53	B230103003858	Hose, rubber	1	
54	12819535	Pipe, steel, transition	1	
55	B230103000382	Hose, rubber	1	
56	12843332	Pipe, steel, oil inlet, auxiliary valve	1	
57	B230103003976	Hose, rubber	1	
58	B230103005263	Hose, rubber	1	
59	B210780000636	Connector, pipe	2	
60	B210780000036	Connector, pipe	4	
61	B230103000478	Hose, rubber	1	
62	B210780000683	Connector, pipe	1	
63	B210780000019	Connector, pipe	1	

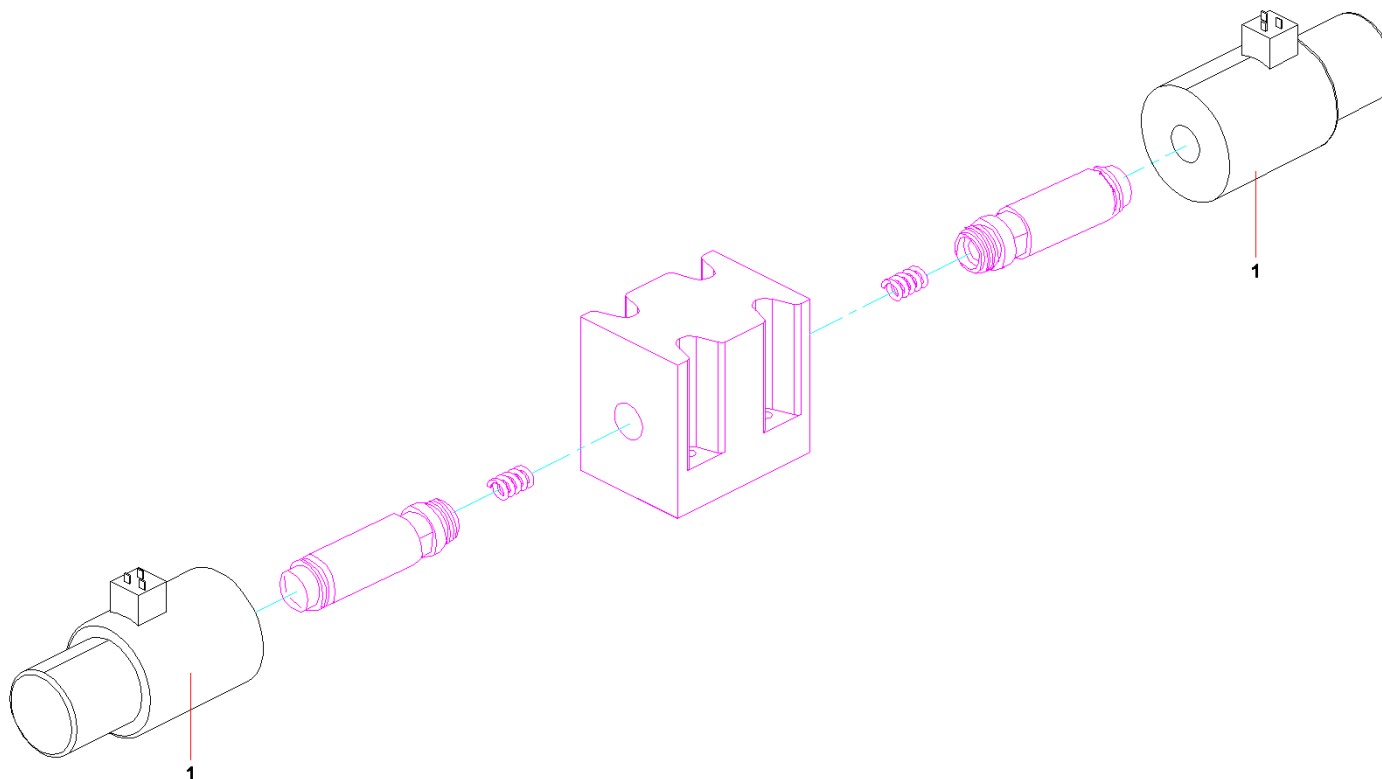


Item No.	Part No.	Description	Qty.	Remark
1	B220401000459	Valve, directional, electromagnetic	1	
2	A820103010415	Block, valve, directional, motor, cooling oil	1	
3	B220400000083	Valve, overflow	1	

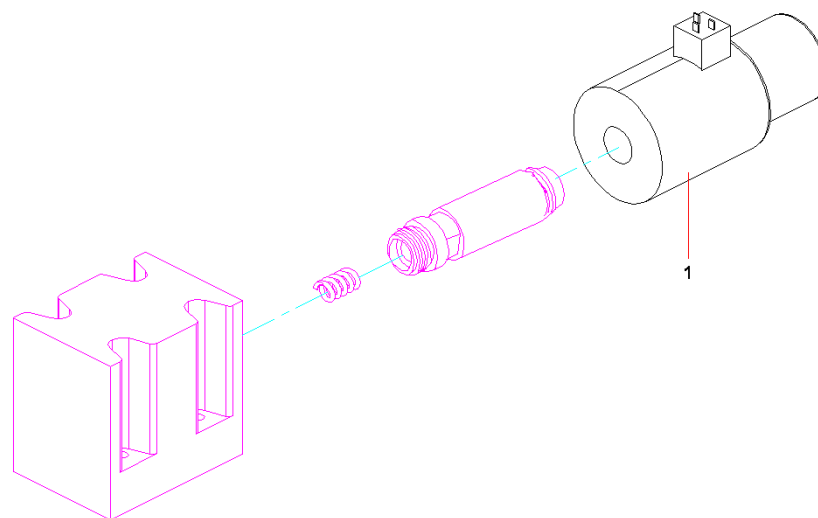


A810201023032 Group, valve, auxiliary

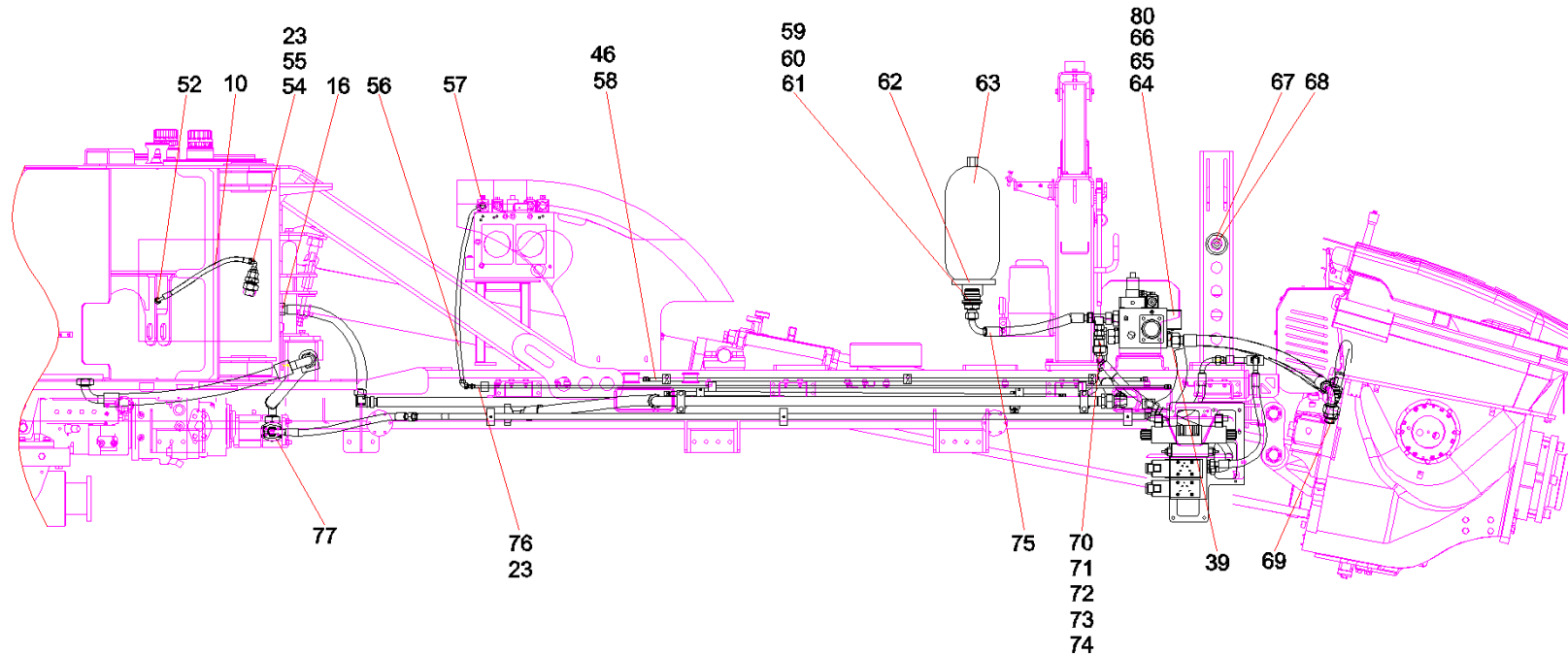
Item No.	Part No.	Description	Qty.	Remark
1	60077982	Valve, solenoid	1	
2	A210204000182	Screw	8	
3	A210401000016	Washer	12	
4	60052795	Valve, overflow	1	
5	B210780000201	Plug, screw	4	
6	12265946	Block, auxiliary valve	1	
7	A210342000002	Plug, screw	3	
8	60077983	Valve, solenoid	2	
9	A210204000135	Screw	4	
10	60109945	Sensor, pressure	1	
11	60135747	Block, valve, double-end	1	



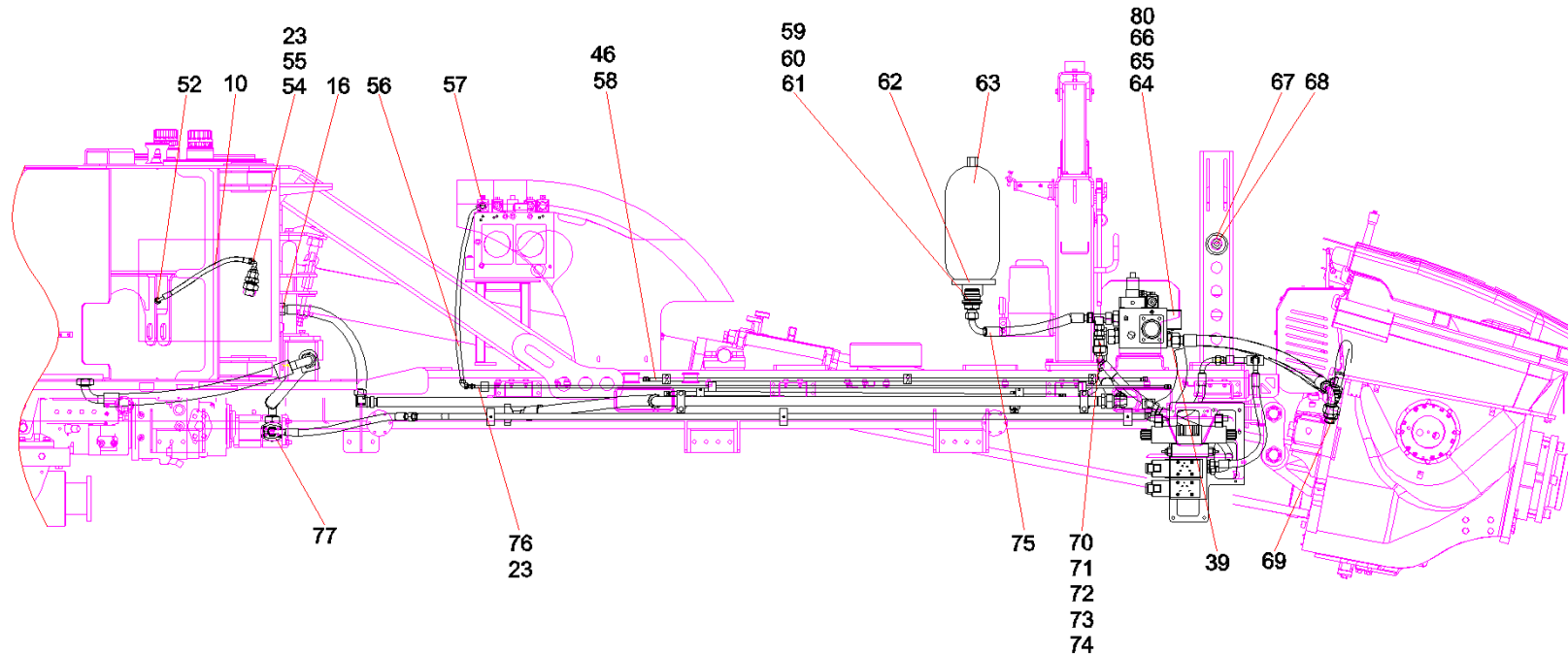
Item No.	Part No.	Description	Qty.	Remark
1	60118390	Coil, solenoid valve	2	



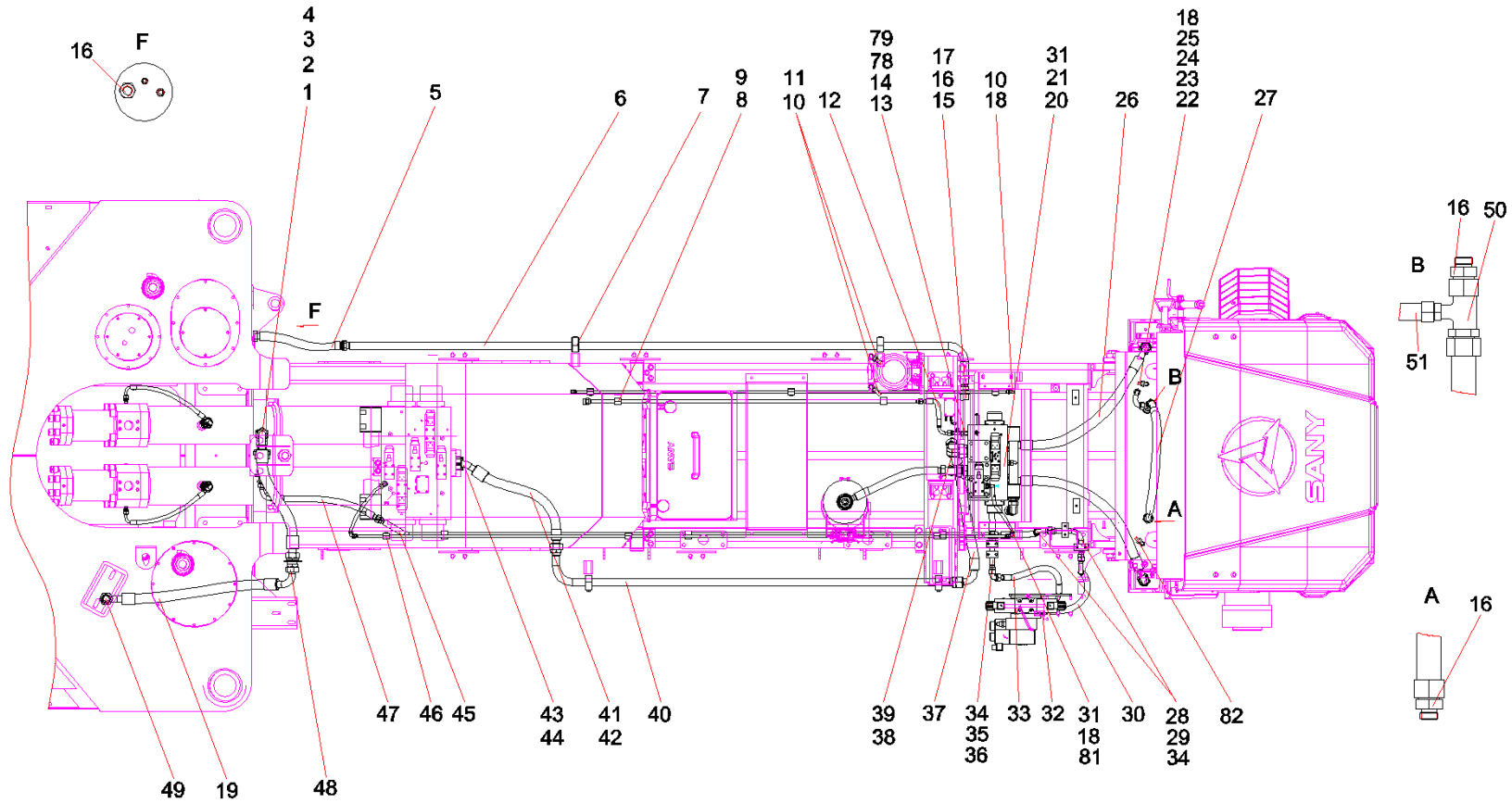
Item No.	Part No.	Description	Qty.	Remark
1	60118390	Coil, solenoid valve	1	



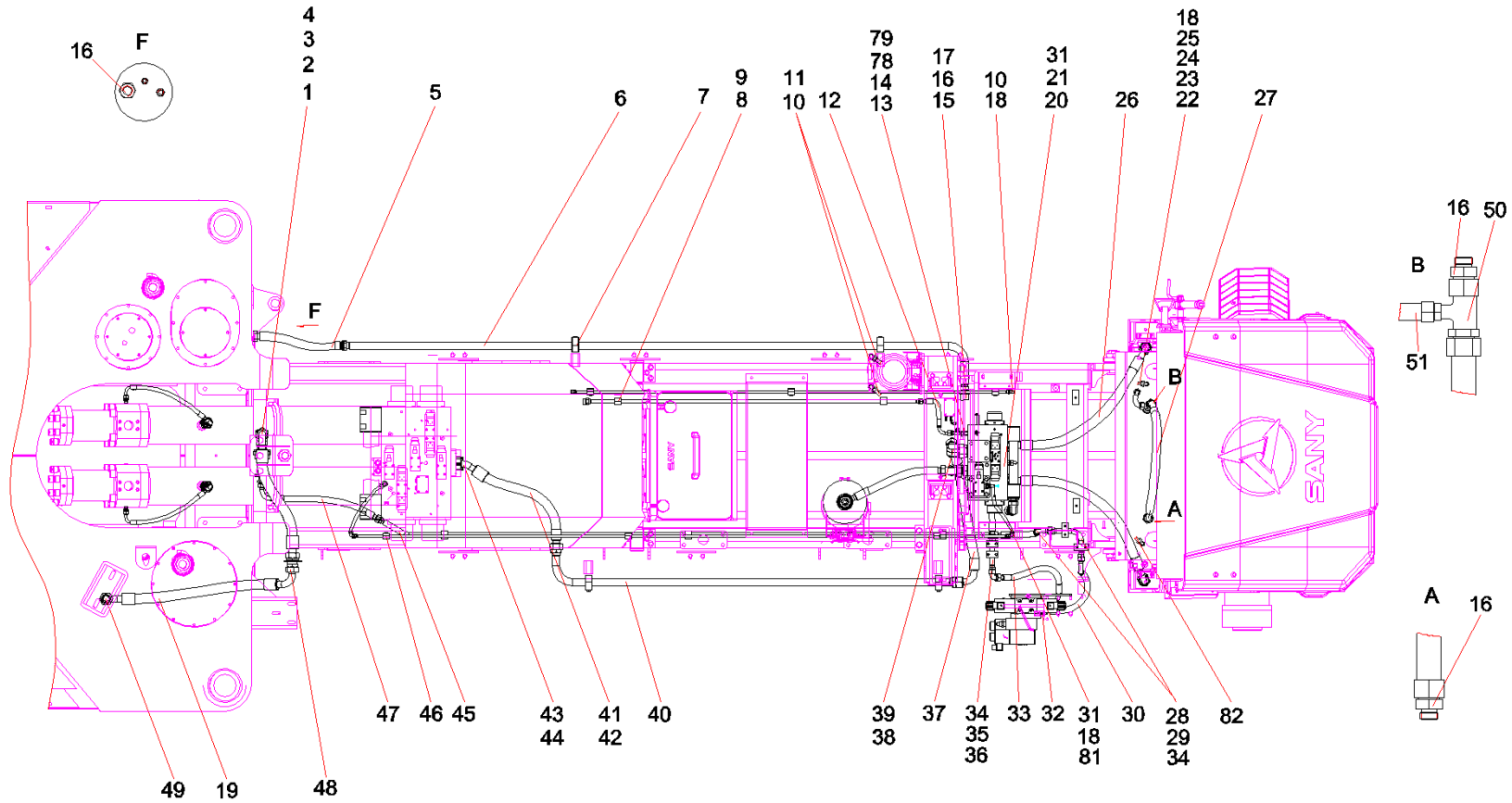
Item No.	Part No.	Description	Qty.	Remark
2	B210780000319	Connector, pipe	1	
10	B230103003914	Hose, rubber	4	
16	B210780000052	Connector, pipe	4	
23	B210780000636	Connector, pipe	3	
39	B210780000053	Connector, pipe	3	
46	60014672	Body, clamp	5	
52	12707826	Connector, damping	2	
54	A820205000005	Connector, pipe, U-shaped	2	
55	B220400000101	Valve, one-way	2	
56	B230103004202	Hose, rubber	1	
57	12680301	Connector, pipe	1	
58	12655100	Pipe, oil	1	
59	A820205001687	Connector body, pipe, accumulator	1	
60	B230101001046	O-ring	1	
61	B230101000244	O-ring	1	
62	A820606010001	Pad	1	
63	B229900003708	Accumulator	1	
64	11781856	Flange, oil return, swing valve	1	
65	B230101000647	O-ring	2	
66	A210204000014	Screw	8	
67	B250202000006	Gauge, pressure	1	
68	60209245	Pipe, pressure measuring	1	



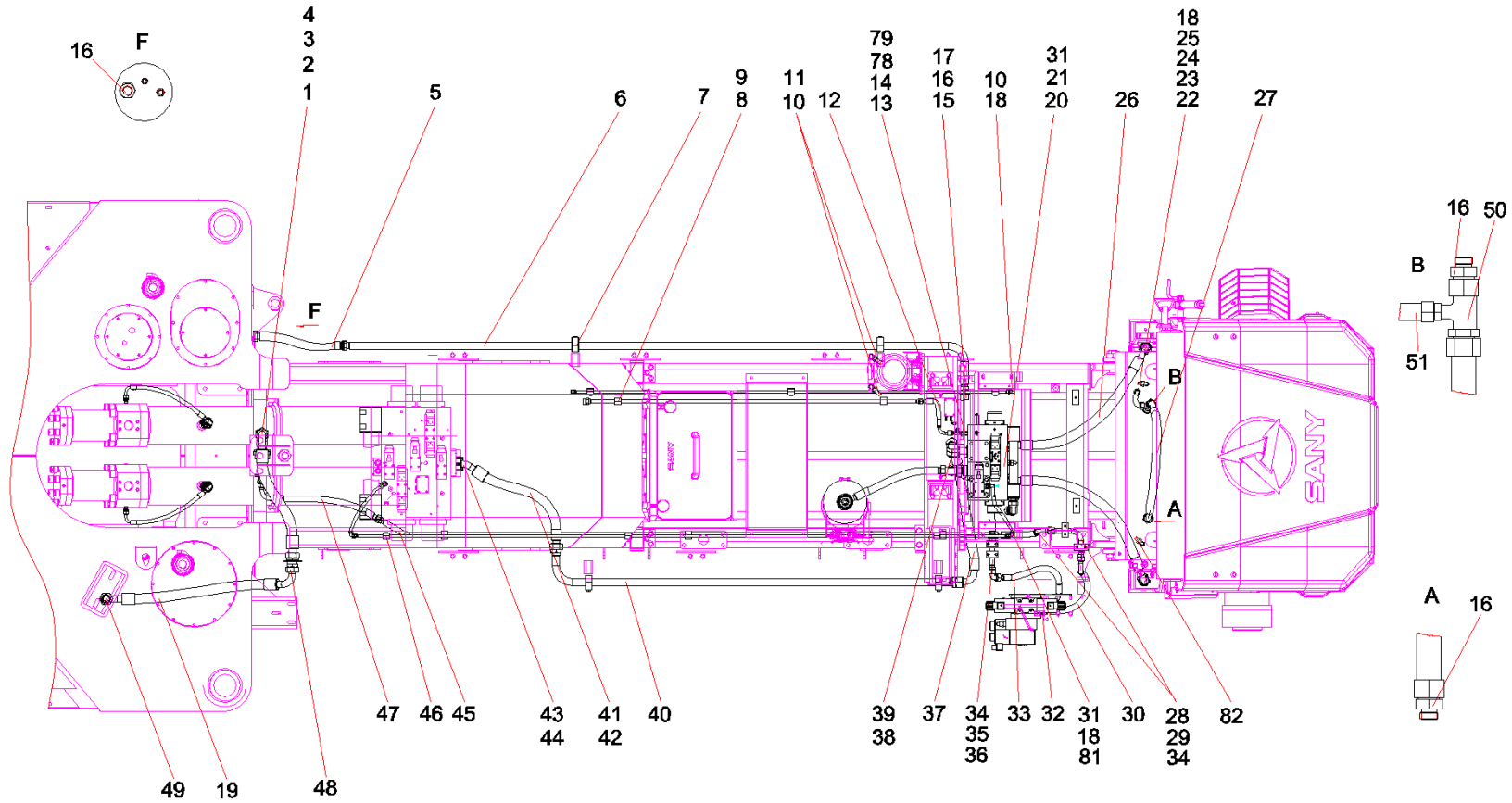
Item No.	Part No.	Description	Qty.	Remark
69	A820205001244	Body, connector, oil, inlet and outlet, swing cylinder	2	
70	B220400000213	Valve, one-way	1	
71	A820205000206	Joint, articulated	1	
72	B230103003869	Hose, rubber	1	
73	A820205000812	Adaptor, accumulator, main valve block	1	
74	B210780001394	Connector, pipe	1	
75	B230103002706	Hose, rubber	1	
76	12825364	Pipe, steel,	1	
77	24001084	Flange, SAE	1	
80	A210401000001	Washer	8	



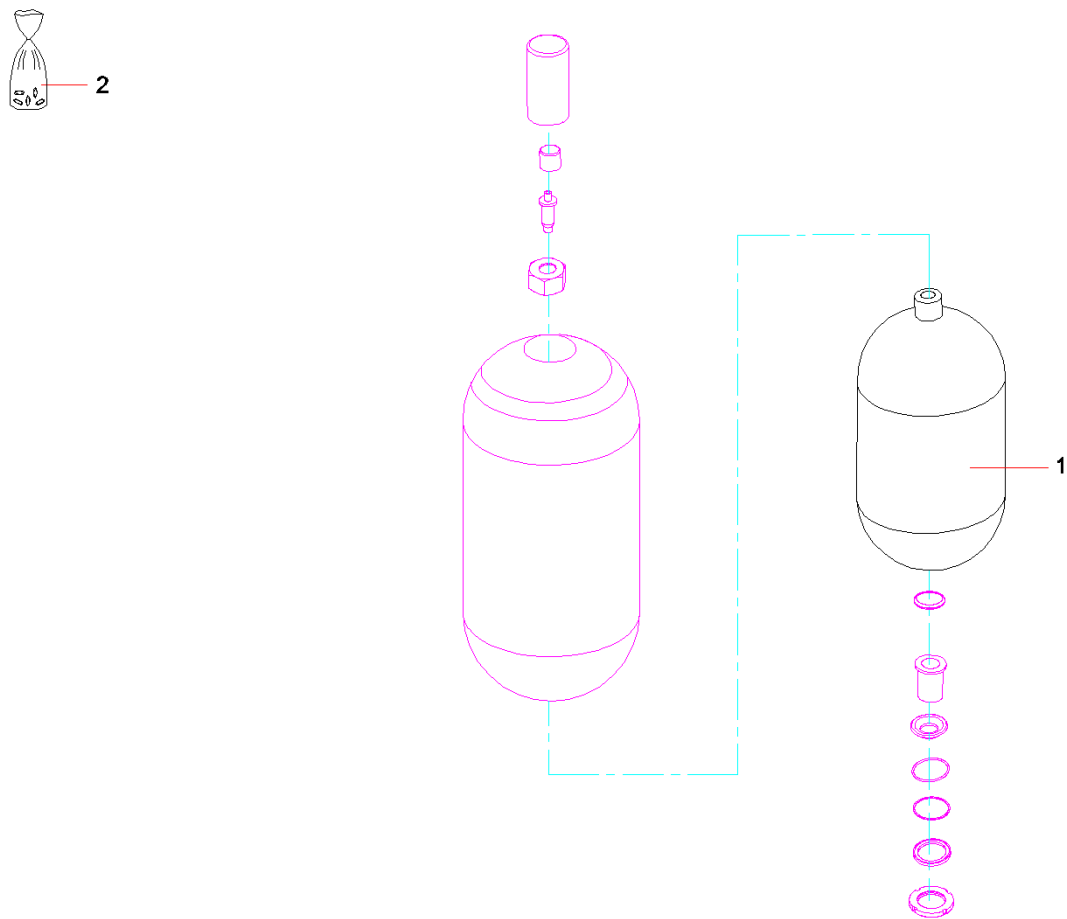
Item No.	Part No.	Description	Qty.	Remark
1	60212784	Hose, rubber	1	
2	B210780000319	Connector, pipe	1	
3	B210780000030	Connector, pipe	1	
4	A210204000354	Screw	8	
5	B230103003009	Hose, rubber	1	
6	12892775	Swining valve oil outlet steel tubeBCB48	1	
7	60014677	Body, clamp	5	
8	60014673	Body, clamp	2	
9	12746984	Pipe, steel, oil outlet, swing valve	1	
10	B230103003914	Hose, rubber	4	
11	B230103003933	Hose, rubber	1	
12	60156800	Hose, rubber	1	
13	B210780000232	Connector, pipe	1	
14	B210780000016	Connector, pipe	1	
15	60211091	Hose, rubber	1	
16	B210780000052	Connector, pipe	4	
17	B210780000838	Connector, pipe	1	
18	B210780000036	Connector, pipe	4	
19	60216555	Hose, rubber	1	
20	12635993	swing valve GP	1	
21	A210204000167	Screw	4	
22	60211080	Hose, rubber	1	



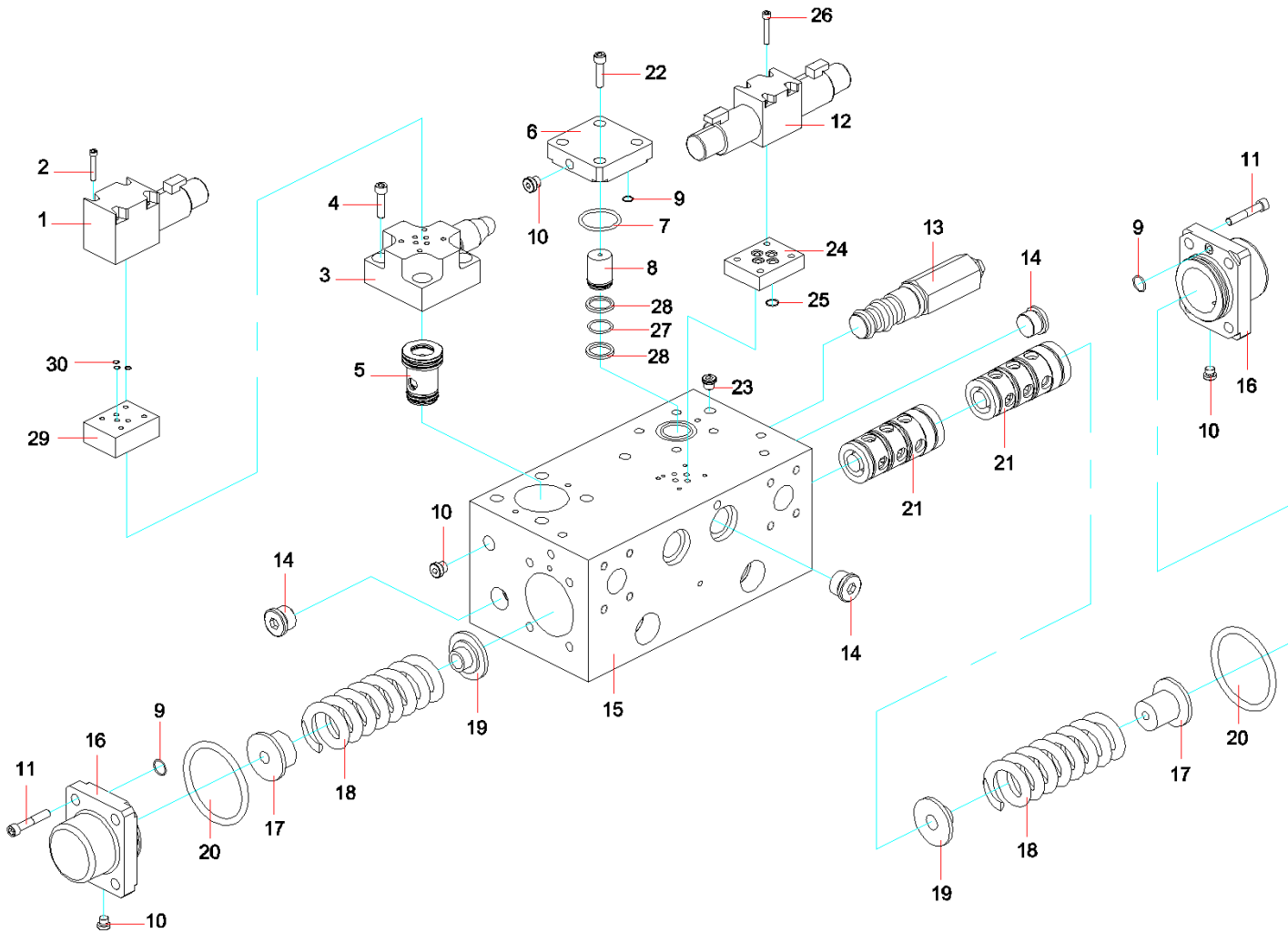
Item No.	Part No.	Description	Qty.	Remark
23	B210780000636	Connector, pipe	3	
24	60014675	Body, pipe clamp	6	
25	B210780000631	Connector, pipe	2	
26	60212786	Hose, rubber	2	
27	60012624	Hose, rubber	1	
28	12810813	Pipe, steel, oil inlet, auxiliary valve	1	
29	B230103000383	Hose, rubber	1	
30	B230103003870	Hose, rubber	1	
31	A210405000011	Washer	4	
32	B210780000131	Connector, pipe	2	
33	B230103000391	Hose, rubber	1	
34	B210780001310	Connector, pipe	2	
35	12747032	Pipe, oil, transitional	1	
36	60014674	Body, pipe clamp	3	
37	60216027	Hose, rubber	1	
38	B210780001241	Connector, pipe	1	
39	B210780000053	Connector, pipe	3	
40	12845187	Pipe, steel, oil inlet, swing cylinder	1	
41	60216029	Hose, rubber	1	
42	B230101000215	O-ring	1	
43	B210780000004	Flange, split	2	
44	A210204000338	Screw	4	



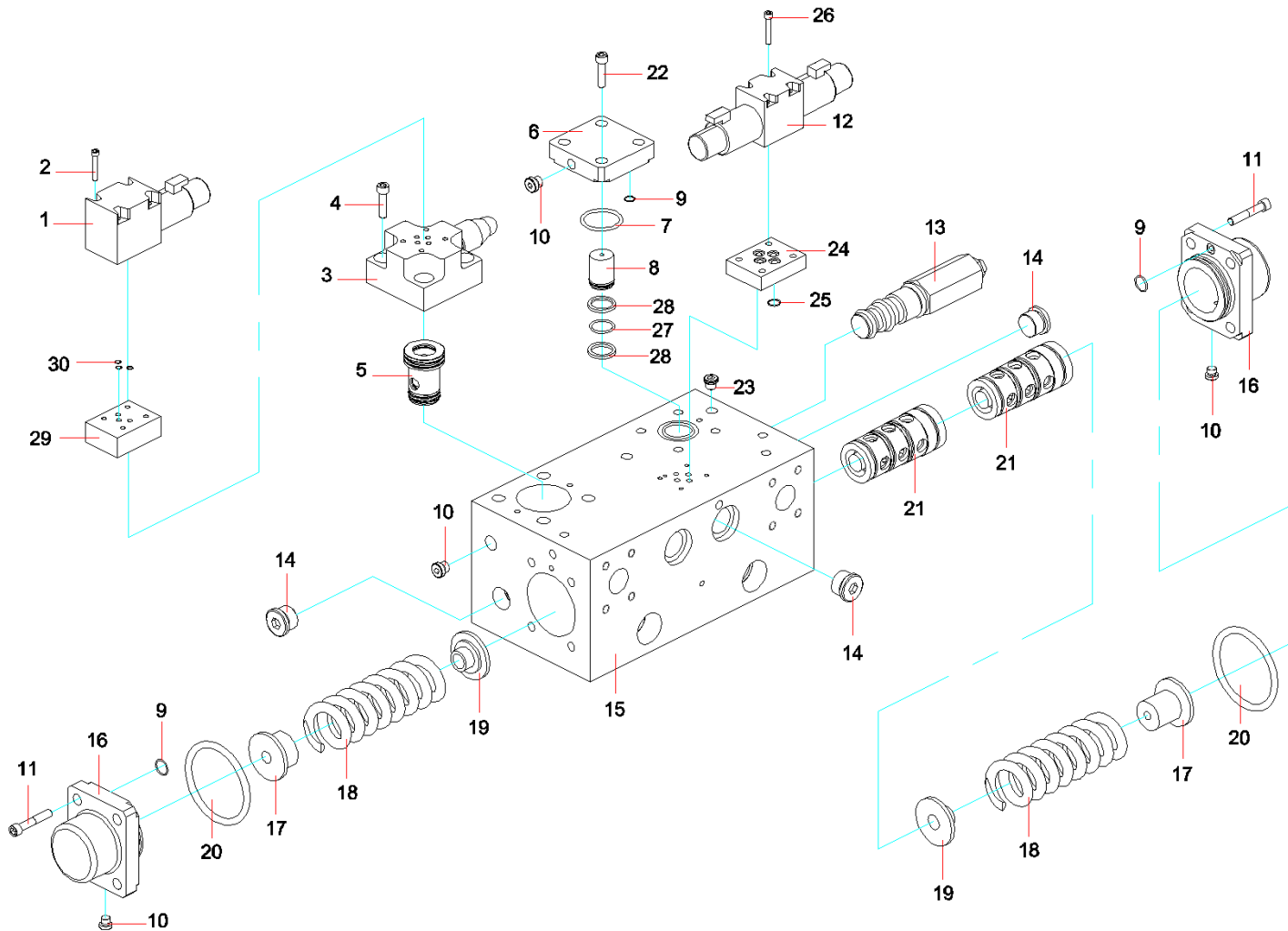
Item No.	Part No.	Description	Qty.	Remark
45	12843876	Pipe, steel, oil outlet, main gear pump	1	
46	60014672	Body, clamp	5	
47	60072122	Hose, rubber	1	
48	B210780001380	Connector, pipe	1	
49	B210780001181	Connector, pipe	1	
50	A820205000022	Bolt, hinged	1	
51	60019593	Hose, rubber	1	
78	B210780000683	Connector, pipe	1	
79	B210780001748	Connector, pressure measuring	1	
81	B230103003967	Hose, rubber	1	
82	B230103003858	Hose, rubber	1	



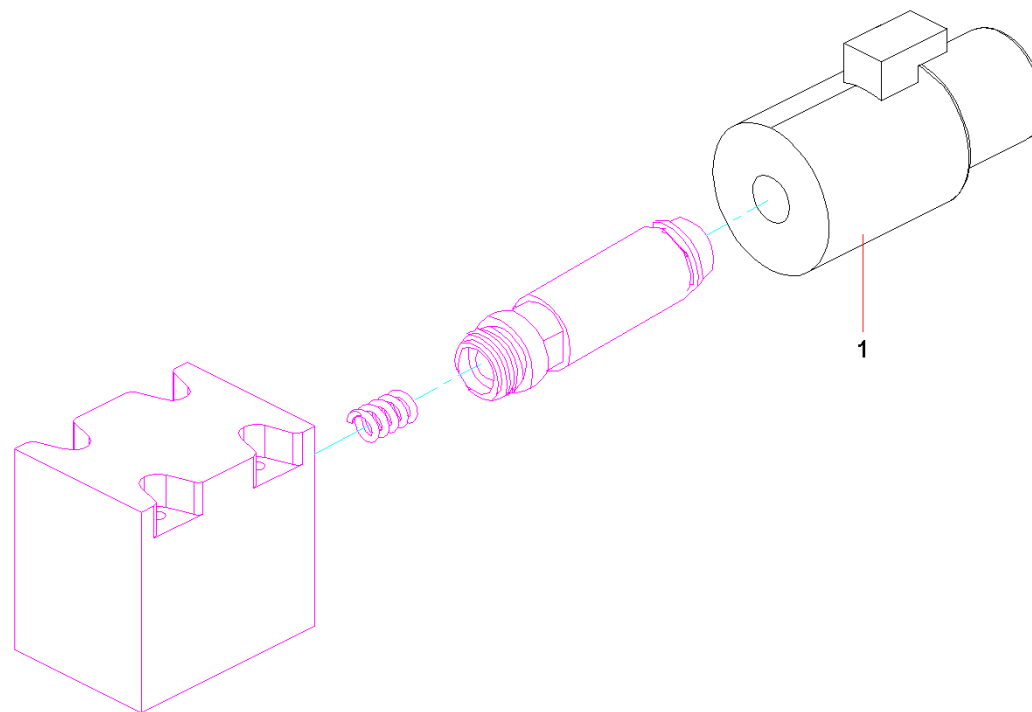
Item No.	Part No.	Description	Qty.	Remark
1	60004233	Rubber bag, accumulator	1	
2	60004230	Repair kit, seal	1	



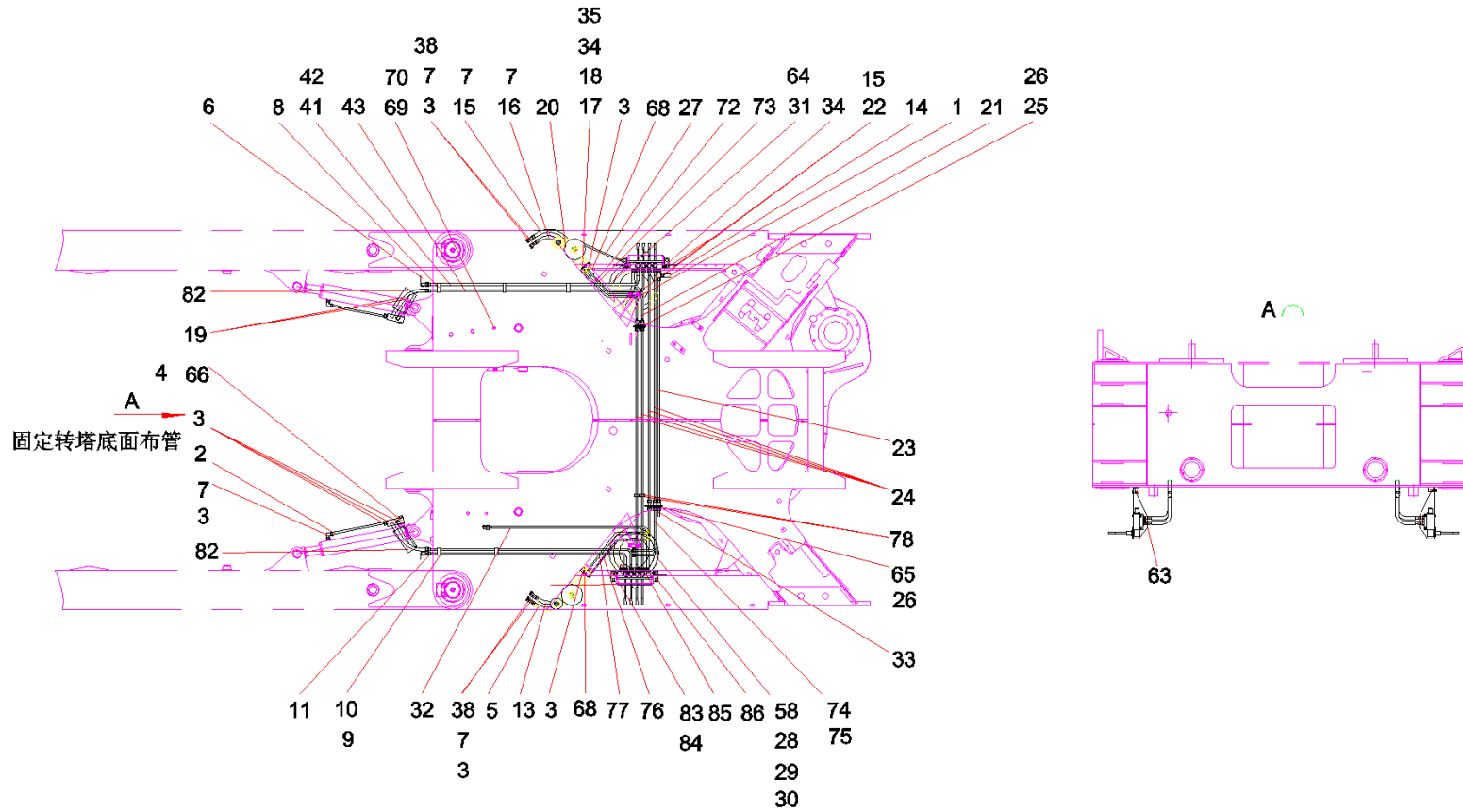
Item No.	Part No.	Description	Qty.	Remark
1	60059727	Valve, solenoid	1	
2	A210204000119	Screw	4	
3	A229900005589	Plate, cover, valve, overflow, electromagnetic	1	
4	A210204000304	Screw	4	
5	60184432	Valve, cartridge	1	
6	10675203	Plate, cover, standard	1	
7	B230101000670	O-ring	1	
8	12635661	Plug, core insert, 32	1	
9	B230101000677	O-ring	3	
10	B210399000003	Plug, screw	15	
11	A210204000206	Screw	8	
12	60059724	Valve, electromagnetic	1	
13	60159780	Valve, relief	1	
14	B210399000008	Plug, screw	3	
15	12025712	Swing valve body	1	
16	11706154	Cover, end, swing valve	2	
17	12825639	Seat, spring, swing valve	2	
18	11696153	Spring, swing valve	2	
19	11706255	Seat, spring, swing valve	2	
20	A210609000134	O-ring	2	
21	12792202	Valve component	2	
22	A210204000165	Screw	4	



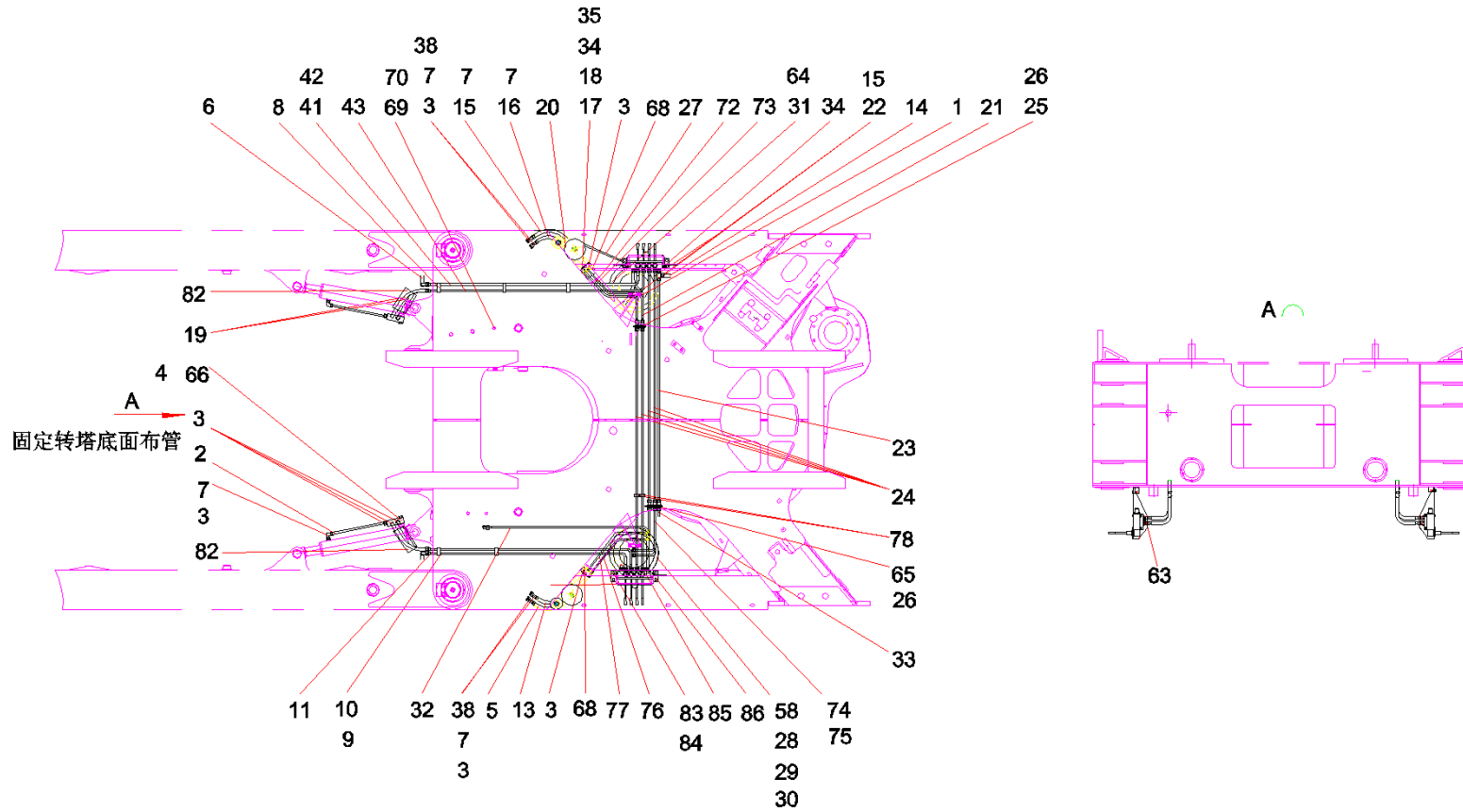
Item No.	Part No.	Description	Qty.	Remark
23	B210399000002	Plug, screw	1	
24	12635308	Plate, damping	1	
25	A210609000085	O-ring	4	
26	A210204000121	Screw	4	
27	B230101000647	O-ring	1	
28	B210491000143	Ring, retainer	2	
29	12524275	Block, transition	1	
30	A210609000092	O-ring	3	



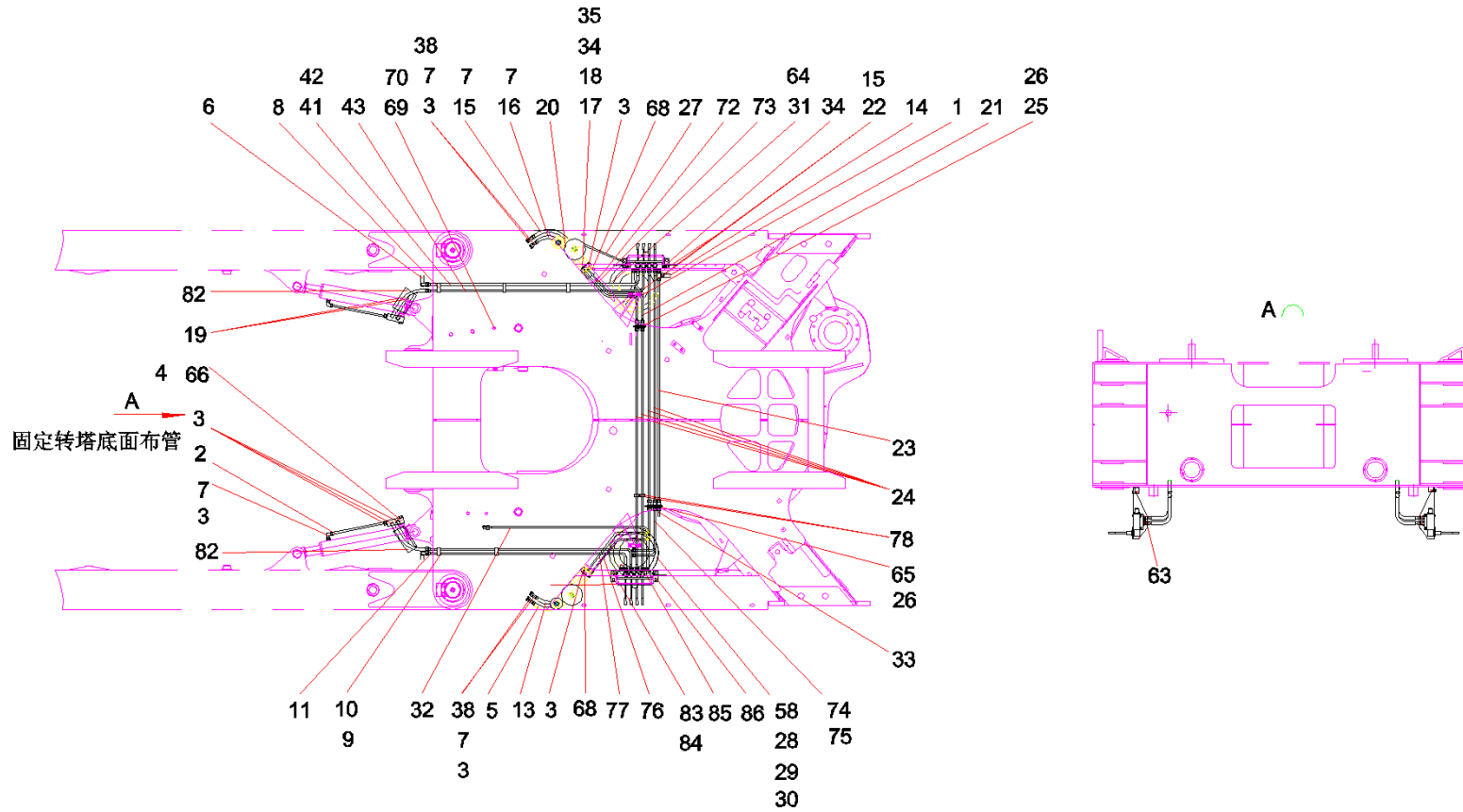
Item No.	Part No.	Description	Qty.	Remark
1	60118389	Coil, solenoid valve	1	



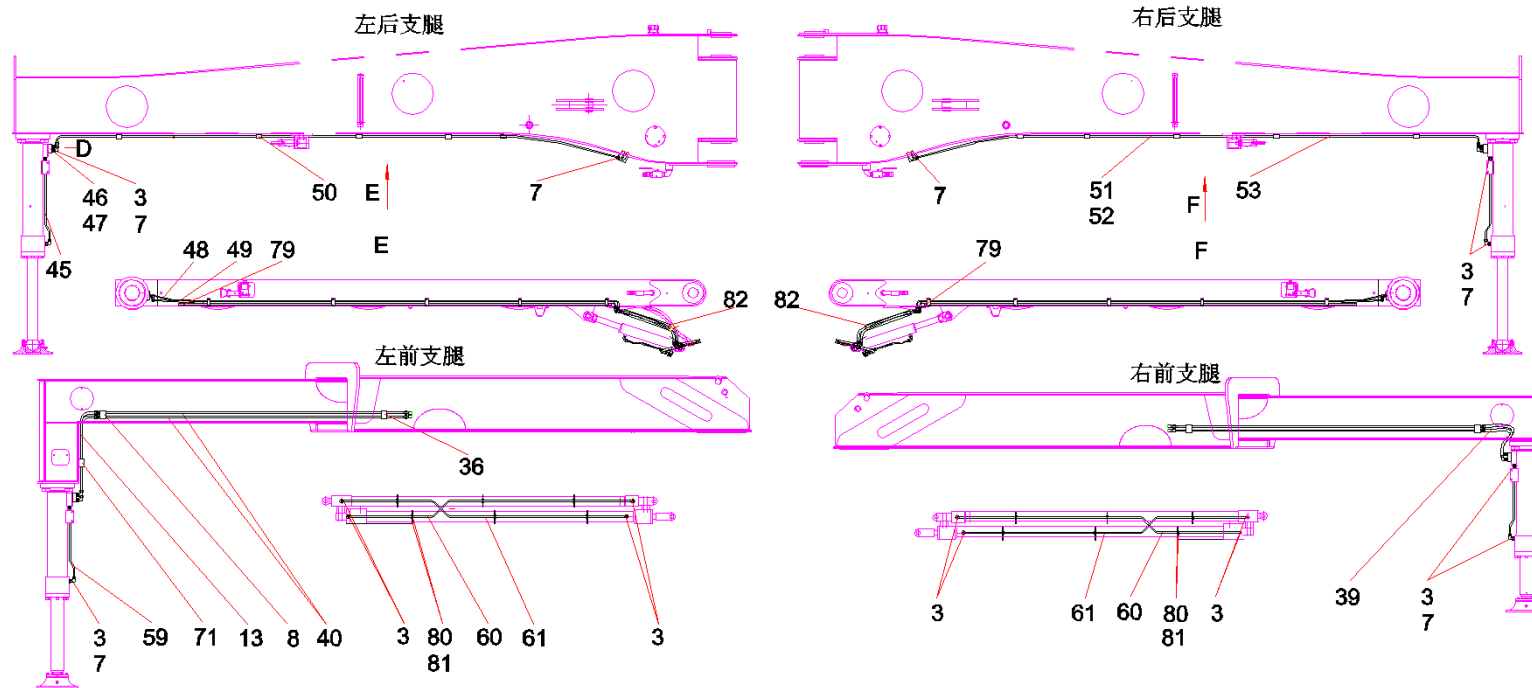
Item No.	Part No.	Description	Qty.	Remark
1	12741309	Pipe, oil	1	
2	10453513	Pipe, oil	2	
3	B210780000037	Connector, pipe	38	
4	60056150	Lock, hydraulic, outrigger, rear	2	
5	B230103000331	Hose, rubber	1	
6	B230103004635	Hose, rubber	4	
7	B210780000024	Connector, pipe	31	
8	60014671	Body, clamp	14	
9	11863416	Pipe, oil	1	
10	11863441	Pipe, oil	1	
11	11885463	Pipe, oil	2	
13	B230103003867	Hose, rubber	3	
14	B230103003866	Hose, rubber	1	
15	B230103003864	Hose, rubber	2	
16	60019586	Hose, rubber	1	
17	60004165	Lock, hydraulic, telescopic cylinder	2	
18	B210780000036	Connector, pipe	6	
19	B230103000089	Hose, rubber	4	
20	10984687	Wheel, guide	2	
21	12742193	Pipe, oil	1	
22	B210780000016	Connector, pipe	1	
23	10922832	Pipe, oil	1	



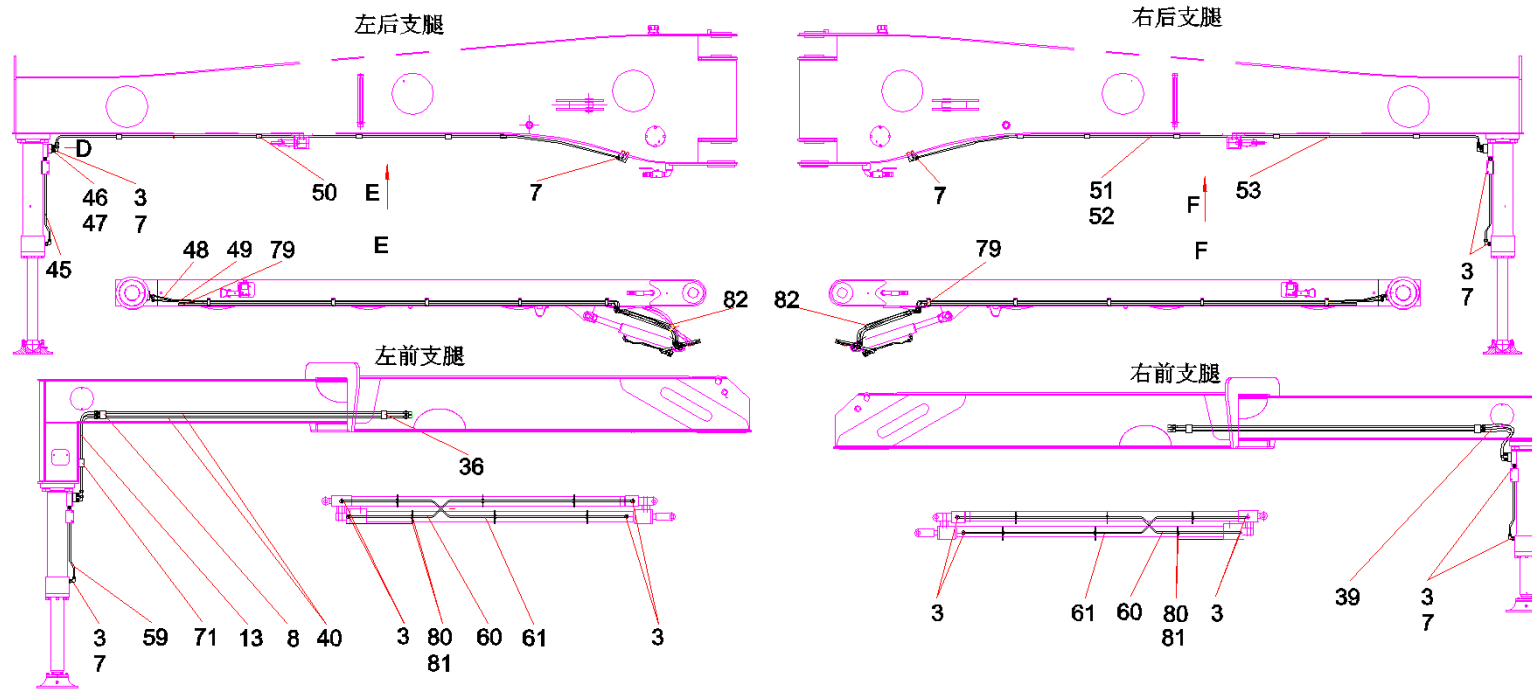
Item No.	Part No.	Description	Qty.	Remark
24	10922815	Pipe, oil	8	
25	11350983	Plate, connector, four-hole	1	
26	B210780000115	Connector, pipe	9	
27	60126767	Hose, rubber, triple	2	
28	B210780000176	Connector, pipe	4	
29	11144485	Plate, mounting, disc, bobbing	2	
30	B210780000847	Connector, pipe	4	
31	60031865	Disc, bobbing	1	
32	10939950	Pipe, oil	1	
33	11694588	Pipe, oil	1	
34	A210204000130	Screw	10	
35	A210401000019	Washer	8	
38	10888719	Connector, pipe	4	
41	11885526	Pipe, oil	1	
42	11885550	Pipe, oil	1	
43	11885576	Pipe, oil	2	
58	60031864	Disc, bobbing	1	
63	12768252	Valve GP, control, outrigger	2	
64	11142092	Plate, fixed, steel wire, drum axis	2	
65	11350921	Plate, connector, six-hole	1	
66	A820301010402	Bolt, articulated	2	
68	B210399000002	Plug, screw	2	



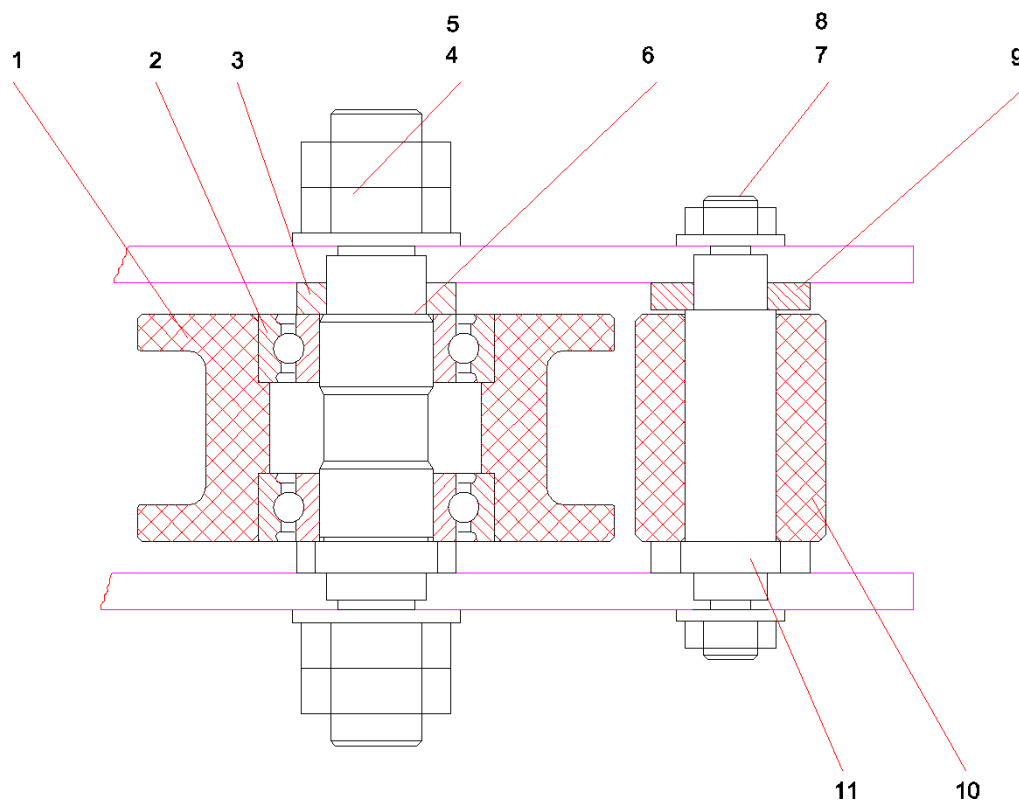
Item No.	Part No.	Description	Qty.	Remark
69	B210780000088	Plug	1	
70	B210334000011	Nut	1	
72	12728894	Pipe, oil	1	
73	12728908	Pipe, oil	1	
74	12740291	Pipe, oil	1	
75	12740330	Pipe, oil	1	
76	12730322	Pipe, oil	1	
77	12730309	Pipe, oil	1	
78	60014672	Body, clamp	6	
82	60113023	Sleeve,protective,hose,rubber	4	
83	24002192	Screw	8	
84	24000637	Washer	8	
85	B230101000417	O-ring	20	
86	12585103	Plate, bent, folded	1	



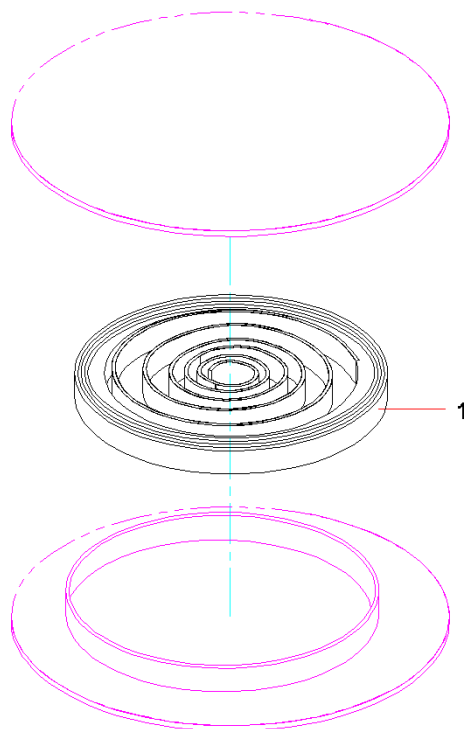
Item No.	Part No.	Description	Qty.	Remark
3	B210780000037	Connector, pipe	38	
7	B210780000024	Connector, pipe	31	
8	60014671	Body, clamp	14	
13	B230103003867	Hose, rubber	3	
36	11146884	Clamp body, upper	2	
39	B230103003863	Hose, rubber	2	
40	10961035	Pipe, oil	4	
45	11029442	Pipe, oil	2	
46	B222200000051	Lock, hydraulic, outrigger	4	
47	A210204000135	Screw	24	
48	12283740	Pipe, oil, rear outrigger	1	
49	12283747	Pipe, oil, rear outrigger	1	
50	12736371	Trilink tube clamp body	10	
51	12283749	Pipe, oil, rear outrigger	1	
52	12283752	Pipe, oil, rear outrigger	1	
53	11885605	Tube, threading	2	
59	11029445	Pipe, oil	2	
60	A810201024899	Pipe, oil	2	
61	A810201024900	Pipe, oil	2	
71	B210852000004	Clamp, duplex	1	
79	12283725	Elbow	2	
80	A210855000001	Hoop	12	



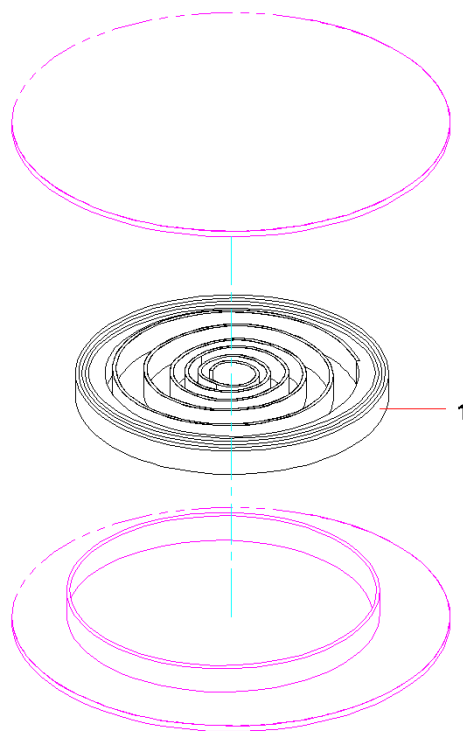
Item No.	Part No.	Description	Qty.	Remark
81	12638380	Clamp	12	
82	60113023	Sleeve,protective,hose,rubber	4	



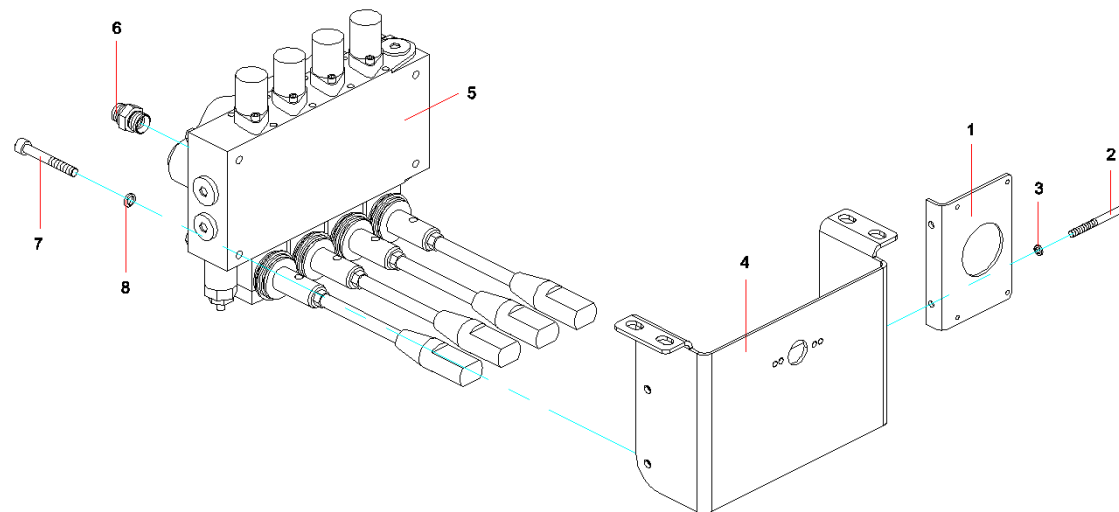
Item No.	Part No.	Description	Qty.	Remark
1	11146423	Wheel, main	1	
2	60027403	Bearing, roller	2	
3	10984679	Washer	1	
4	A210309000003	Nut	4	
5	A210405000008	Washer	2	
6	10984678	Shaft, main	1	
7	A210309000016	Nut	2	
8	A210405000001	Washer	2	
9	10984682	Washer	1	
10	10333948	Wheel, auxiliary	1	
11	10984681	Shaft, wheel, auxiliary	1	



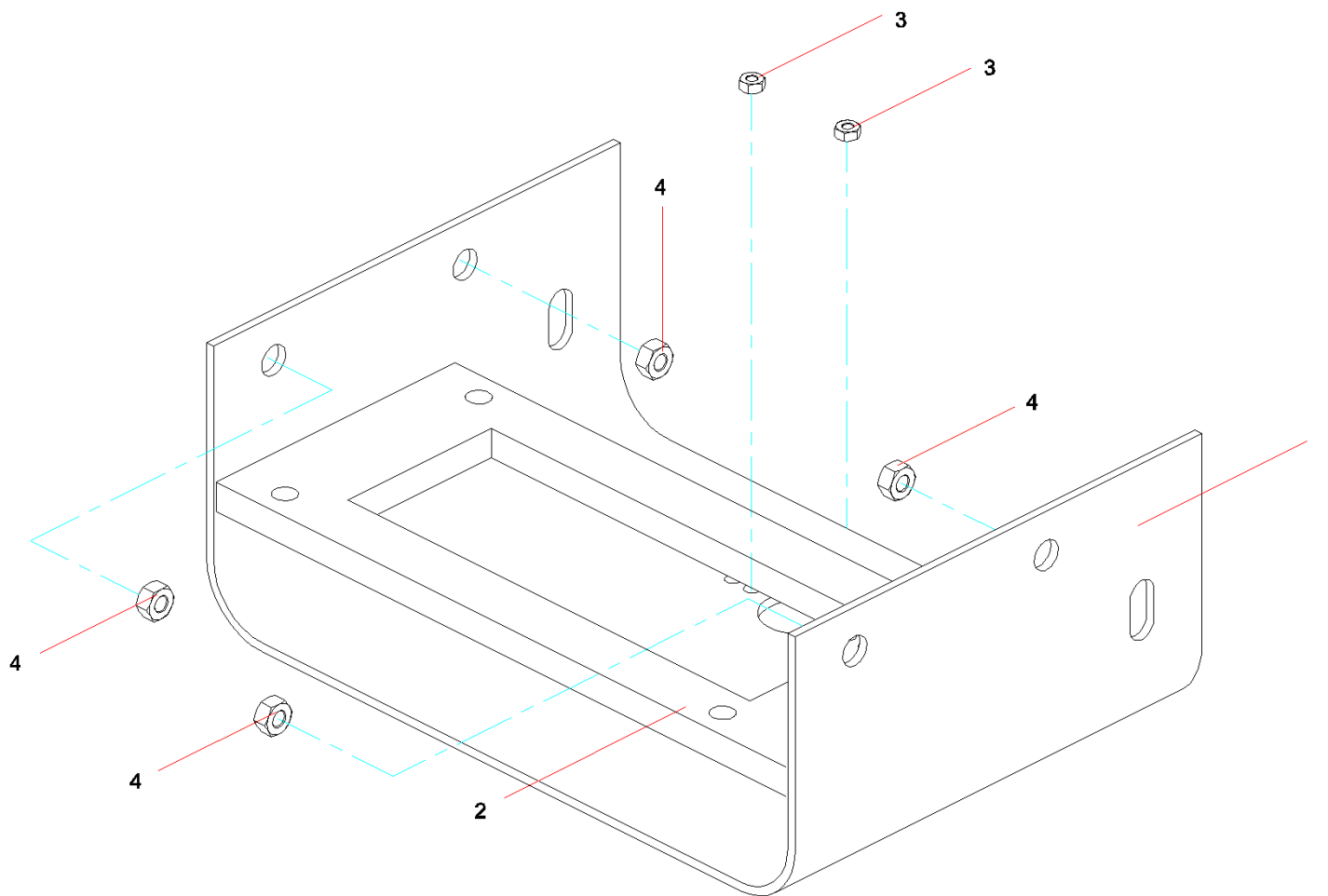
Item No.	Part No.	Description	Qty.	Remark
1	60057586	Spring	1	



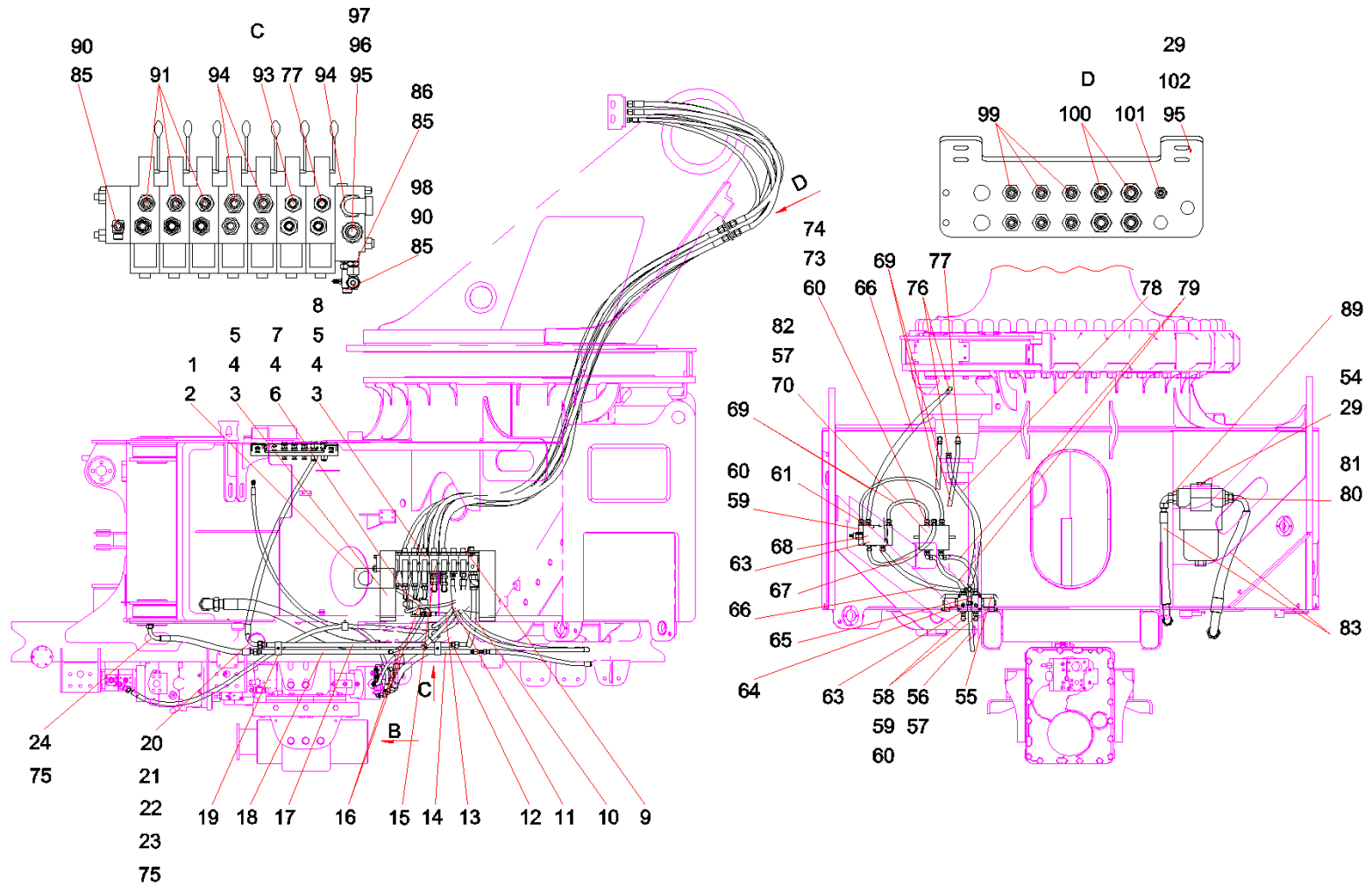
Item No.	Part No.	Description	Qty.	Remark
1	60057585	Spring	1	



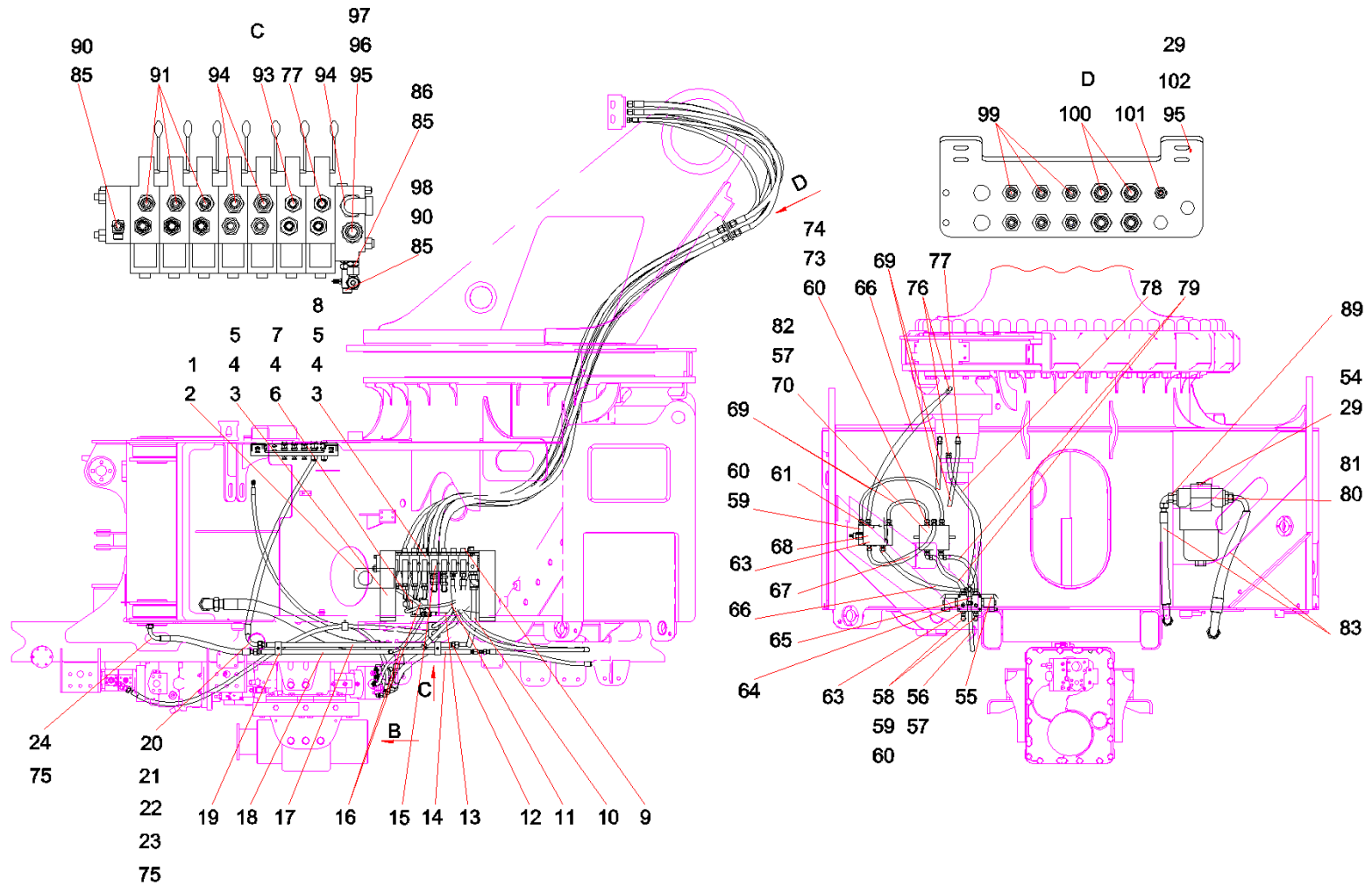
Item No.	Part No.	Description	Qty.	Remark
1	10969372	Plate, mounting , control box, outrigger	1	
2	A210204000172	Screw	2	
3	A210401000016	Washer	2	
4	12283755	Operation box, outrigger, four-handle	1	
5	B220401000305	Valve, multiway, support leg	1	
6	B210780000180	Connector, pipe	10	
7	A210204000149	Screw	4	
8	A210401000017	Washer	4	



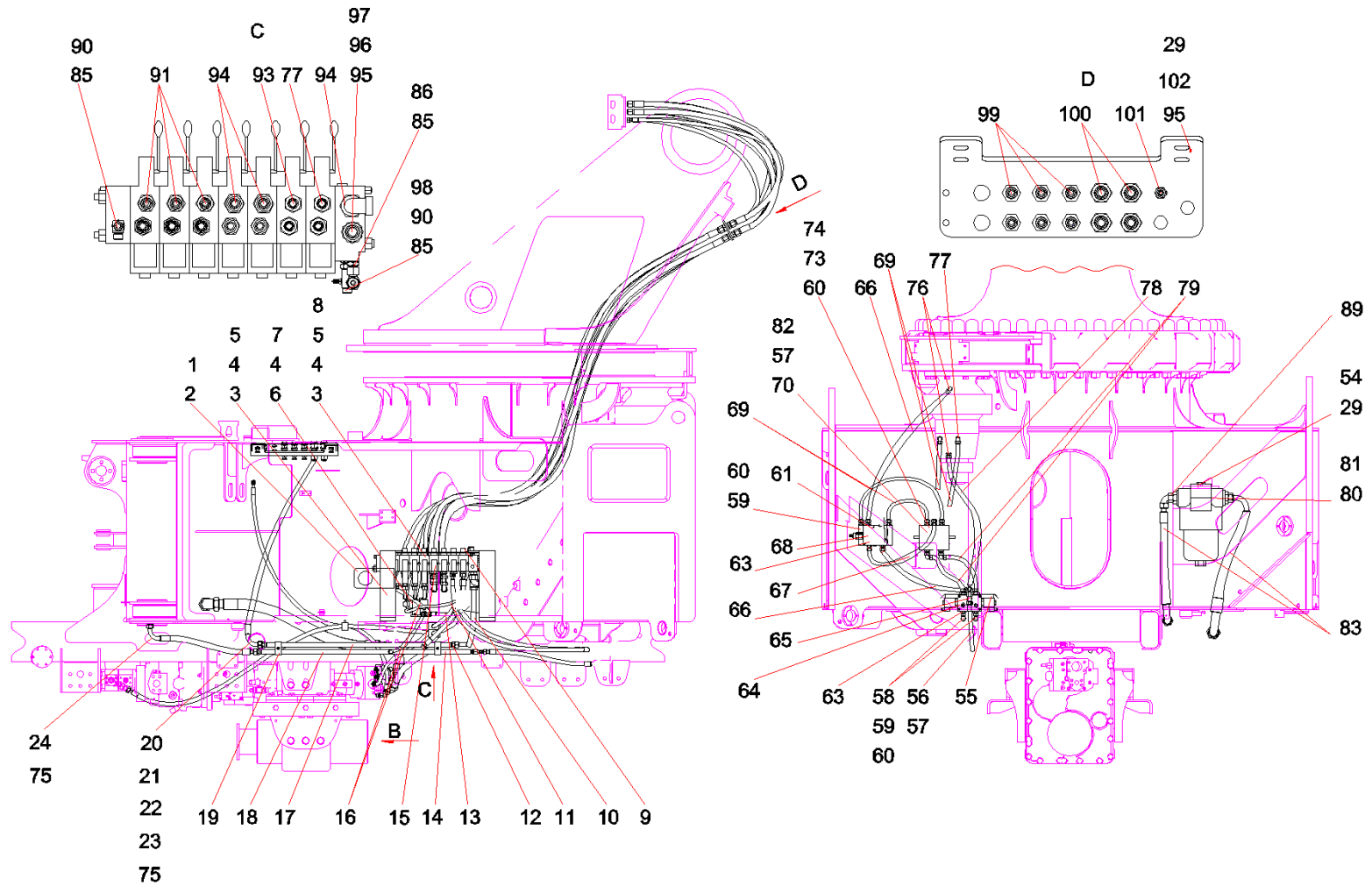
Item No.	Part No.	Description	Qty.	Remark
1	12283733	Box, operation, outrigger	1	
2	10878708	Plate, mounting, operation box, outrigger	1	
3	A210307000014	Nut	2	
4	A210307000016	Nut	4	



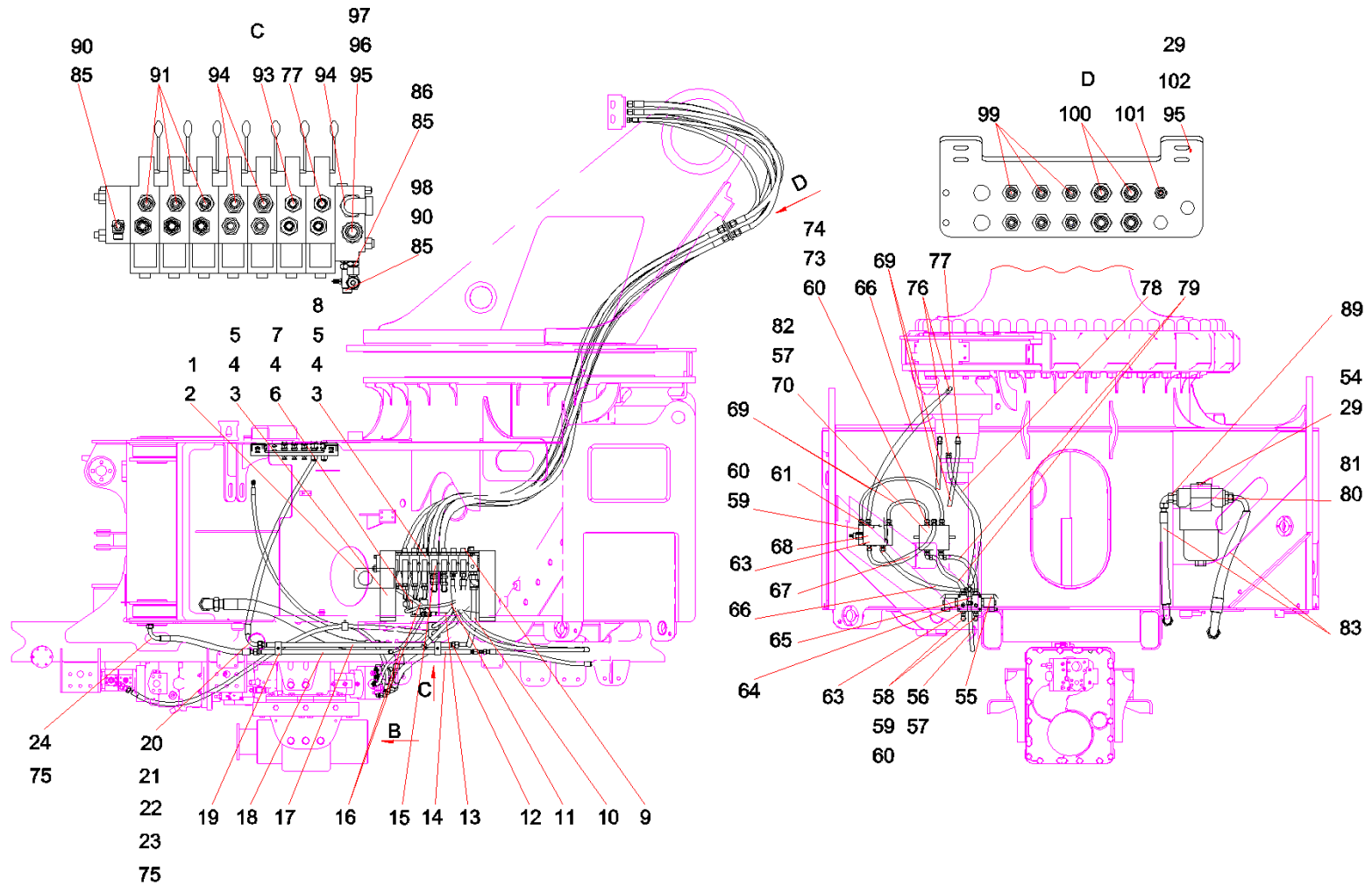
Item No.	Part No.	Description	Qty.	Remark
1	12827216	Plate, mounting, pressure gauge	1	
2	B250202000006	Gauge, pressure	1	
3	A210204000162	Screw	8	
4	A210401000017	Washer	12	
5	A210405000007	Washer	12	
6	A810201020910	Pressure gauge valve group	1	
7	A210204000146	Screw	4	
8	A210307000012	Nut	4	
9	12711731	Board, indication	1	
10	B230103003978	Hose, rubber	1	
11	B230103007360	Pipe, pressure measuring	1	
12	B230101000273	O-ring	1	
13	60019596	Hose, rubber	1	
14	60014675	Body, pipe clamp	1	
15	B220400000377	Valve, multiway, five-section boom	1	
16	B230103003967	Hose, rubber	2	
17	12840744	Pipe, oil	1	
18	12829069	Pipe, oil	1	
19	60014674	Body, pipe clamp	5	
20	B230103003513	Hose, rubber	1	
21	60025953	Hose, rubber	1	
22	B210780000157	Connector, pipe	1	



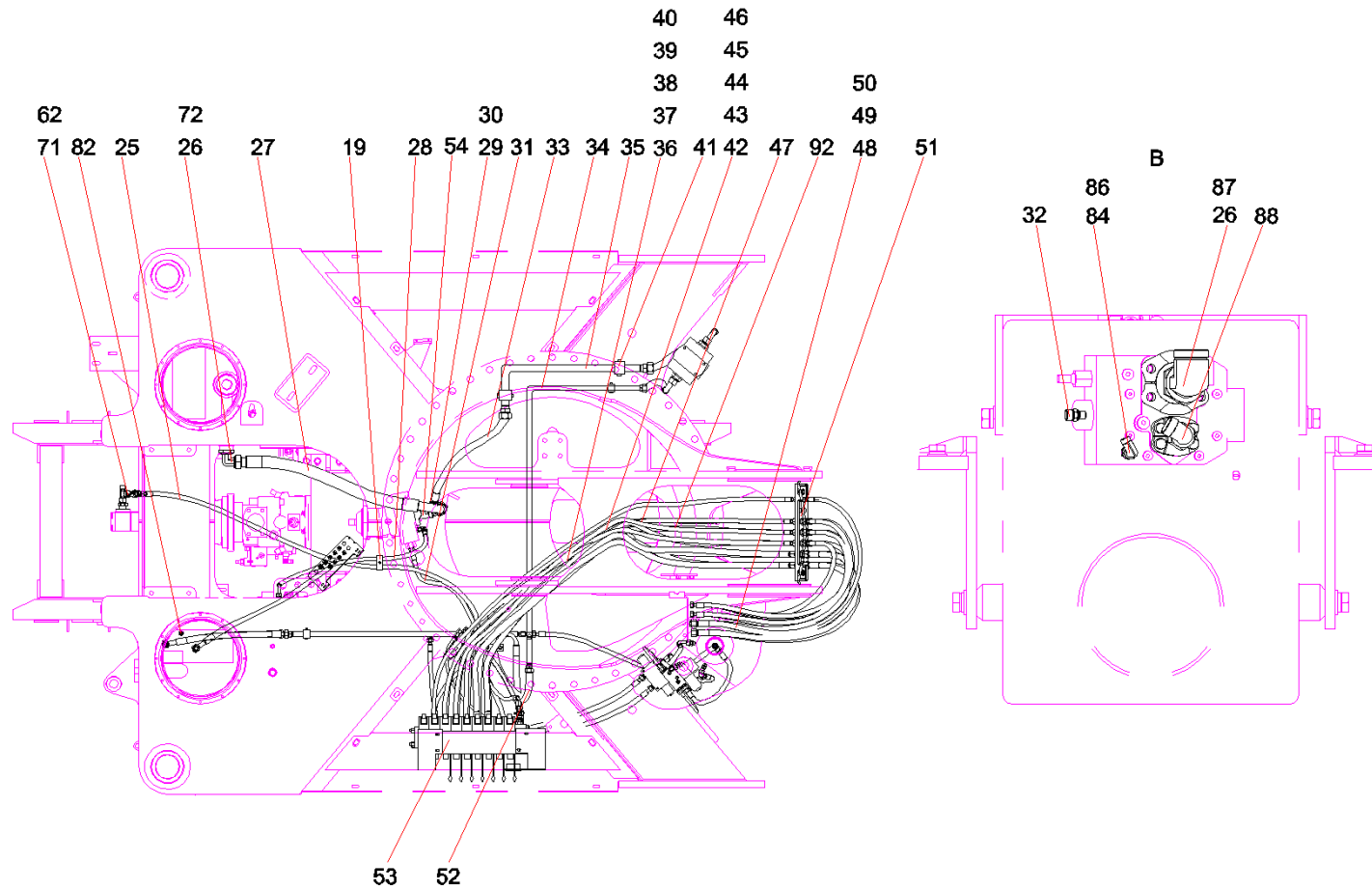
Item No.	Part No.	Description	Qty.	Remark
23	B210780001310	Connector, pipe	3	
24	B230103000383	Hose, rubber	1	
29	A210401000002	Washer	12	
54	A210111000038	Bolt	8	
55	11930470	Cover, protective	1	
56	B230103003863	Hose, rubber	1	
57	B210780000016	Connector, pipe	3	
58	21018229	Hose, rubber	2	
59	A210204000141	Screw	7	
60	A210401000016	Washer	9	
61	B210780000037	Connector, pipe	5	
63	B210780000024	Connector, pipe	3	
64	12343139	Limit valve AS	1	
65	B210780000019	Connector, pipe	1	
66	60101298	Hose, rubber	1	
67	B230103003865	Hose, rubber	1	
68	12552172	Atiswing valve group	1	
69	60101296	Hose, rubber	4	
70	12343138	Rotary balance valve assembly	1	
73	A210204000138	Screw	2	
74	A210405000006	Washer	2	
75	B210780000131	Connector, pipe	2	



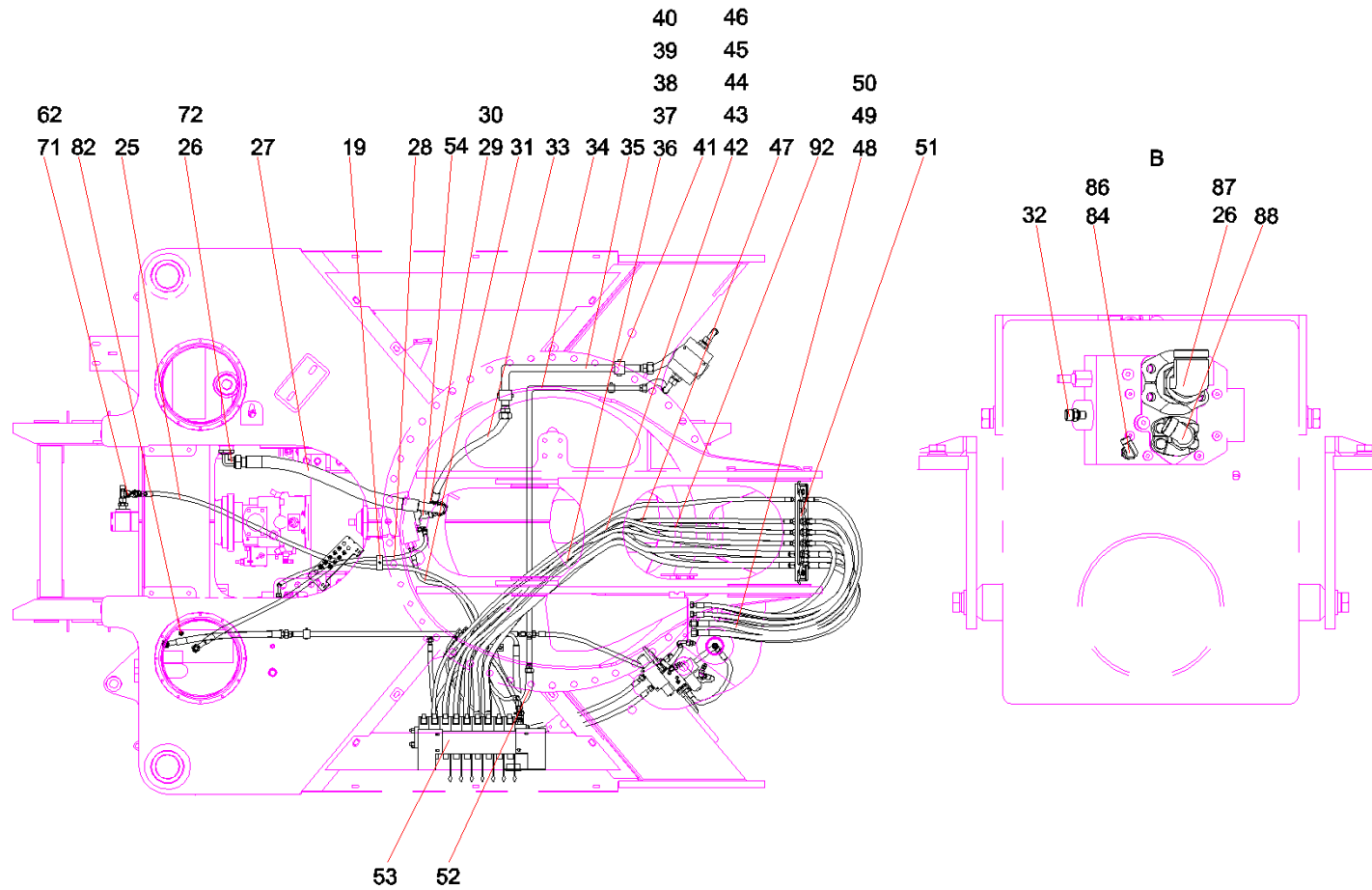
Item No.	Part No.	Description	Qty.	Remark
76	B210780000847	Connector, pipe	2	
77	B210780000179	Connector, pipe	4	
78	60156800	Hose, rubber	1	
79	60211065	Hose, rubber	2	
80	60187669	Filter, oil, high-pressure	1	
81	A820205001800	Connector, pipe, oil filter	2	
82	B210399000002	Plug, screw	3	
83	60211068	Hose, rubber	2	
85	B210780000733	Connector, pipe	4	
86	B210780000636	Connector, pipe	2	
89	B210780000029	Connector, pipe	2	
90	B210780000015	Connector, pipe	3	
91	B210780000209	Connector, pipe	6	
93	B210780001307	Connector	2	
94	B210780000048	Connector, pipe	5	
95	A210405000001	Washer	4	
96	B220400000213	Valve, one-way	1	
97	B210780000184	Connector, pipe	1	
98	B210780001748	Connector, pressure measuring	1	
99	B210780000655	Connector, pipe	6	
100	B210780000996	Connector, pipe	4	
101	B210780000647	Connector, pipe	1	



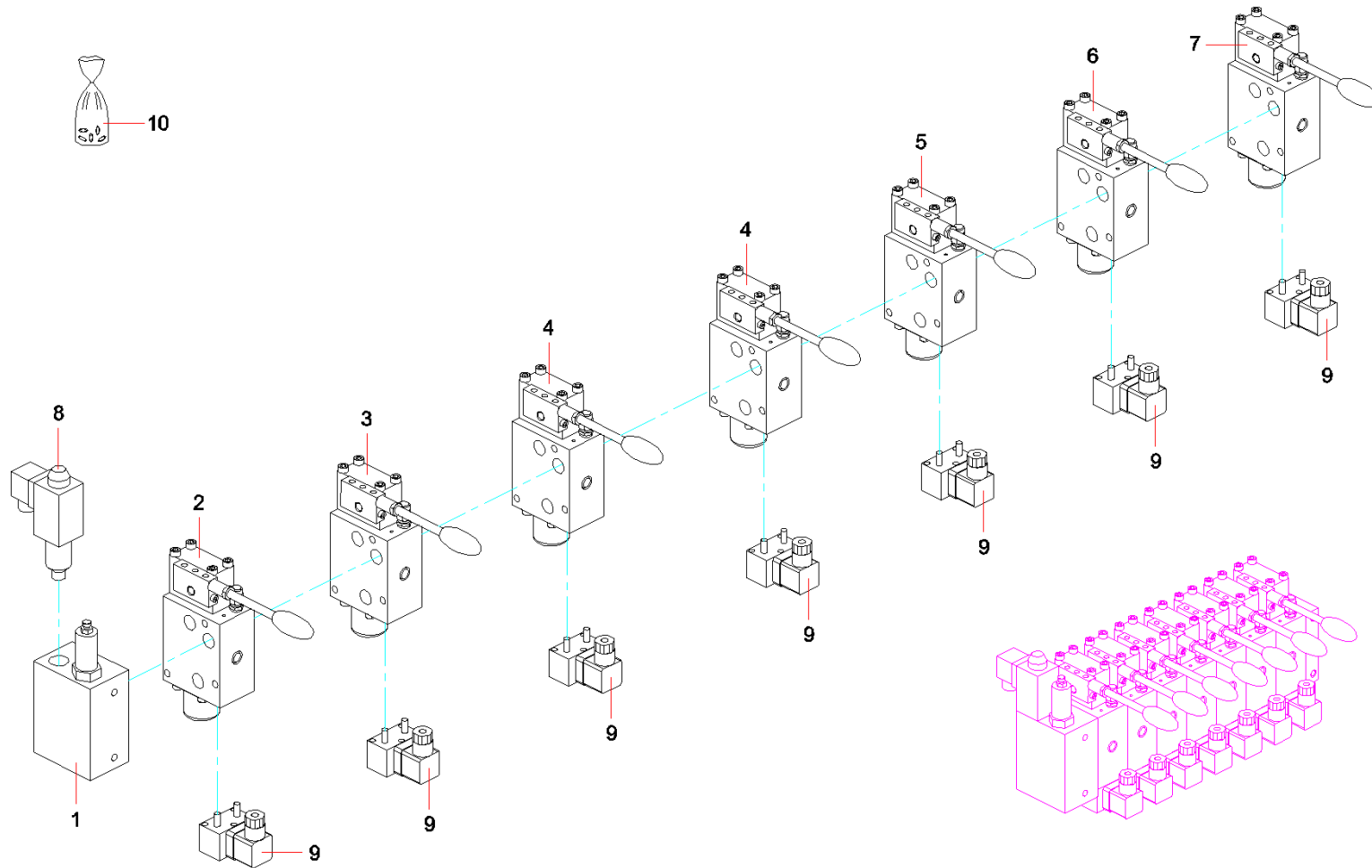
Item No.	Part No.	Description	Qty.	Remark
102	A210111000039	Bolt	4	



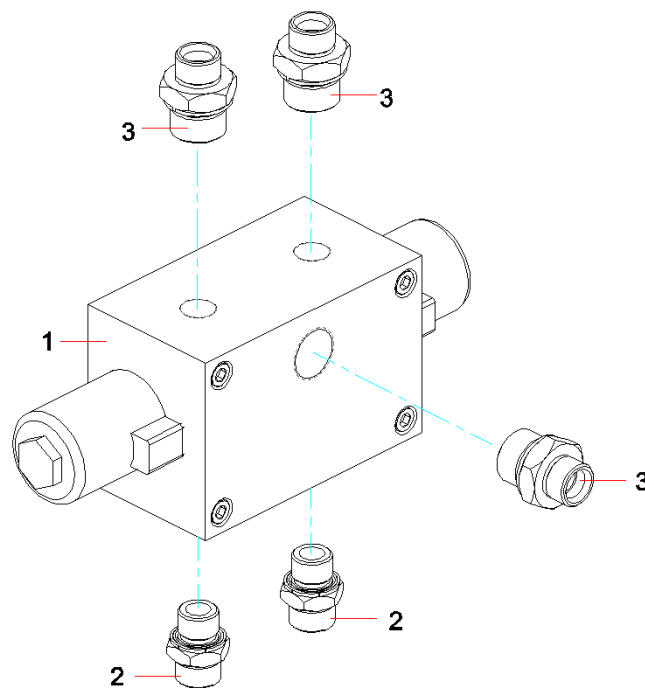
Item No.	Part No.	Description	Qty.	Remark
19	60014674	Body, pipe clamp	5	
25	21024136	Hose	1	
26	21050783	Connector, pipe	2	
27	60212560	Hose, rubber	1	
28	60019597	Hose, rubber	1	
29	A210401000002	Washer	12	
30	A210111000040	Bolt	4	
31	B230103008158	Hose, rubber	1	
32	60185722	Connector, filter	1	
33	60212562	Hose, rubber	1	
34	12824369	Pipe, oil	1	
35	12824351	Pipe, oil	1	
36	A239900000053	Tape, binding, nylon	6	
37	60061016	Tape, binding, colored	6	
38	60061017	Tape, binding, colored	6	
39	60061018	Tape, binding, colored	6	
40	60061019	Tape, binding, colored	6	
41	60014677	Body, clamp	6	
42	60216038	rubber hose	3	
43	60216035	rubber hose	3	
44	60216036	rubber hose	1	
45	60216040	rubber hose	2	



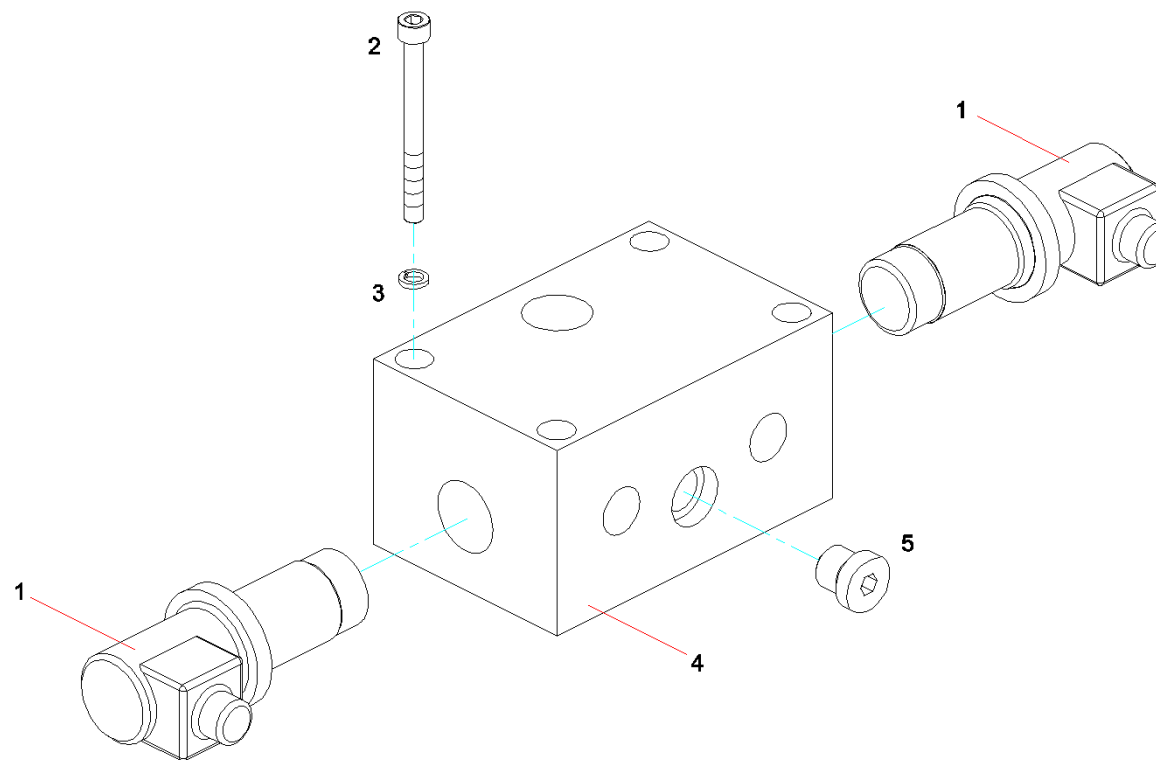
Item No.	Part No.	Description	Qty.	Remark
46	60216039	rubber hose	2	
47	11805684	Sleeve, protective, rubber hose	1	
48	60028649	Hose, rubber	6	
49	B230103001931	Hose, rubber	4	
50	60025954	Hose, rubber	1	
51	11573129	Seat, connector, hose, rubber	1	
52	60212494	Hose, rubber	1	
53	12736883	Plate, support	1	
54	A210111000038	Bolt	8	
62	B229900005270	Connector, pipe	1	
71	B220401000479	Valve, one-way	1	
72	B210780000055	Connector, pipe	1	
82	B210399000002	Plug, screw	3	
84	B210780001286	Connector, pipe	2	
86	B210780000636	Connector, pipe	2	
87	10781530	Flange	1	
88	B210780000056	Connector, flange	1	
92	11765669	Threading tube GP	2	



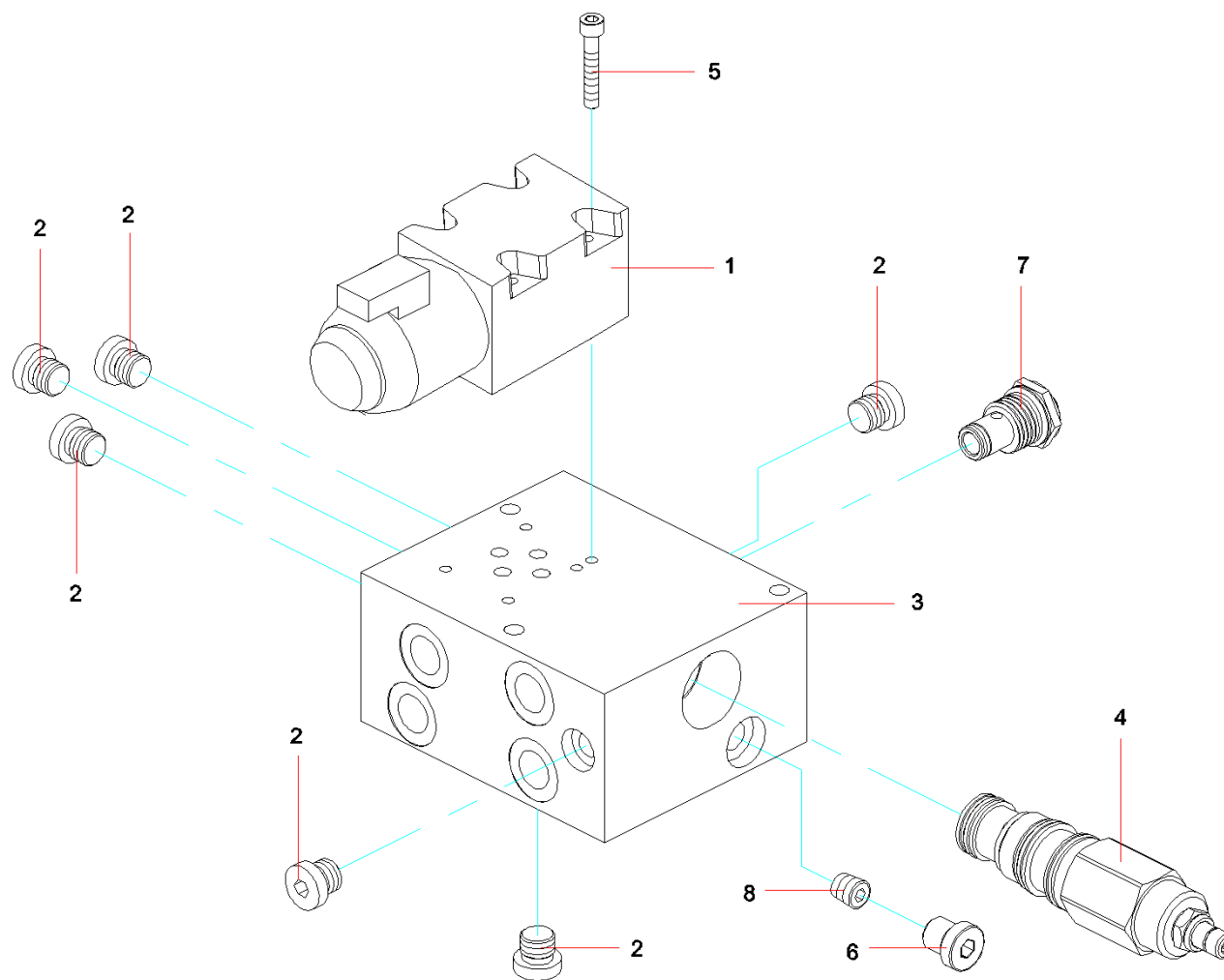
Item No.	Part No.	Description	Qty.	Remark
1	B229900001978	Block, control	1	
2	60172580	Valve, reversing, outrigger	1	
3	B220401000505	Valve, reversing, rotary	1	
4	B220401000506	Valve, reversing	2	
5	B220401000507	Valve, reversing	1	
6	60172578	Valve, reversing, 4#	1	
7	60180840	Valve, directional, boom, 5#	1	
8	B220401000311	Bypass valve, boom multiway	1	
9	B220401000555	Valve, electric proportional	7	
10	B229900002352	Repair kit, valve, multiway	1	



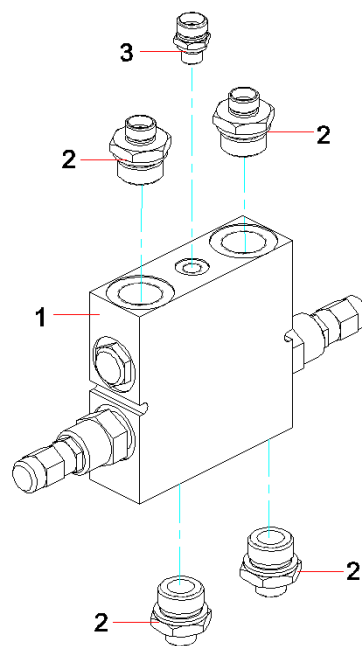
Item No.	Part No.	Description	Qty.	Remark
1	A810201022063	Limit valve GP, rotary	1	
2	B210780000037	Connector, pipe	2	
3	B210780000746	Connector	3	



Item No.	Part No.	Description	Qty.	Remark
1	B220401000537	Valve, reversing, electromagnetic	2	
2	A210204000140	Screw	4	
3	A210401000016	Washer	4	
4	A820103010443	Limit valve body	1	
5	B210780000201	Plug, screw	1	



Item No.	Part No.	Description	Qty.	Remark
1	60059726	Valve, electromagnetic	1	
2	B210399000003	Plug, screw	6	
3	12539352	Atiswing valve body	1	
4	60159780	Valve, relief	1	
5	A210204000119	Screw	4	
6	B210780000609	Plug, screw	1	
7	B220400000072	Valve, one-way	1	
8	12532093	Plug, damping	1	

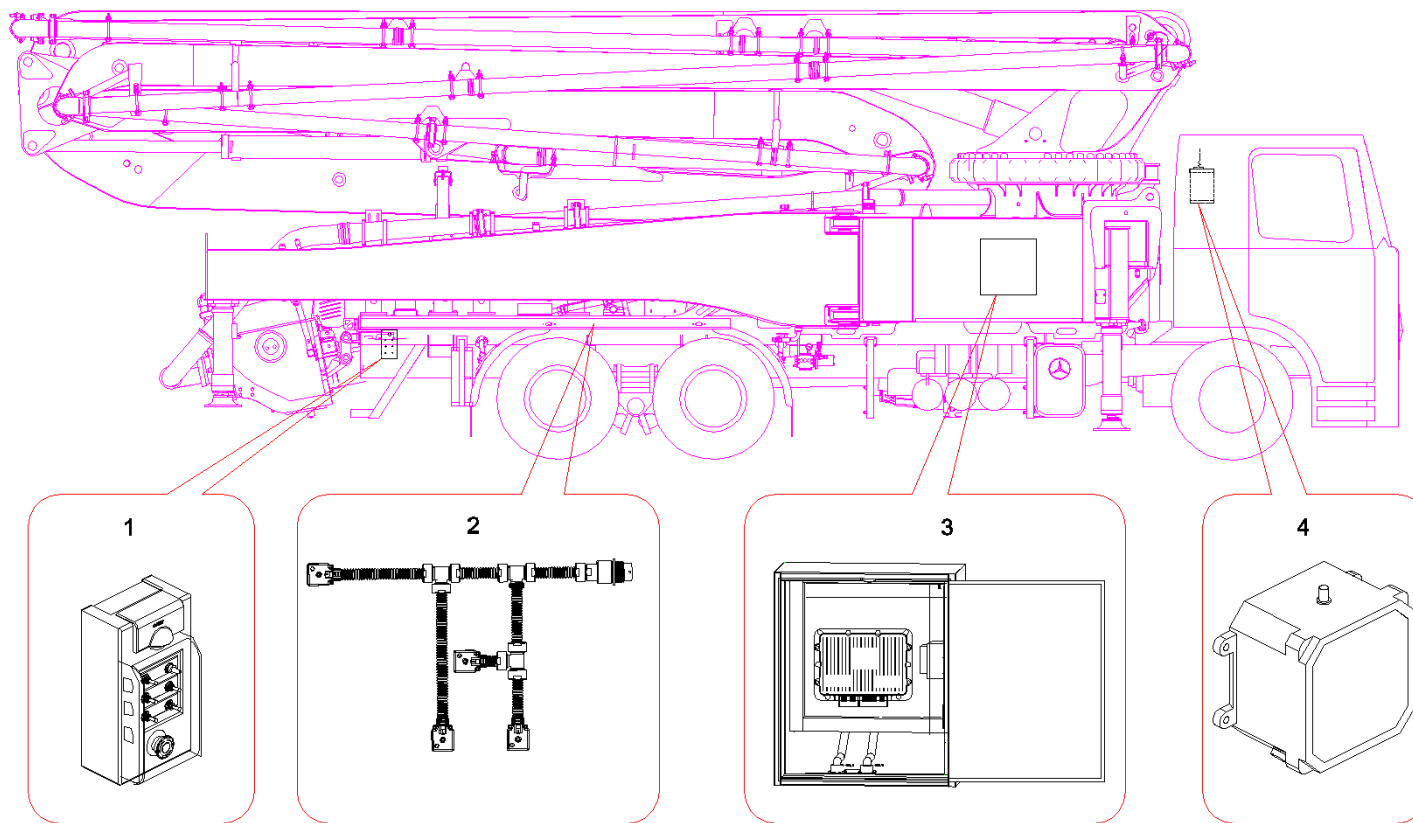


Item No.	Part No.	Description	Qty.	Remark
1	B22040000073	Valve, balanced	1	
2	A820205000229	Connector, balanced valve	4	
3	A820205000230	Connector, balanced valve	1	

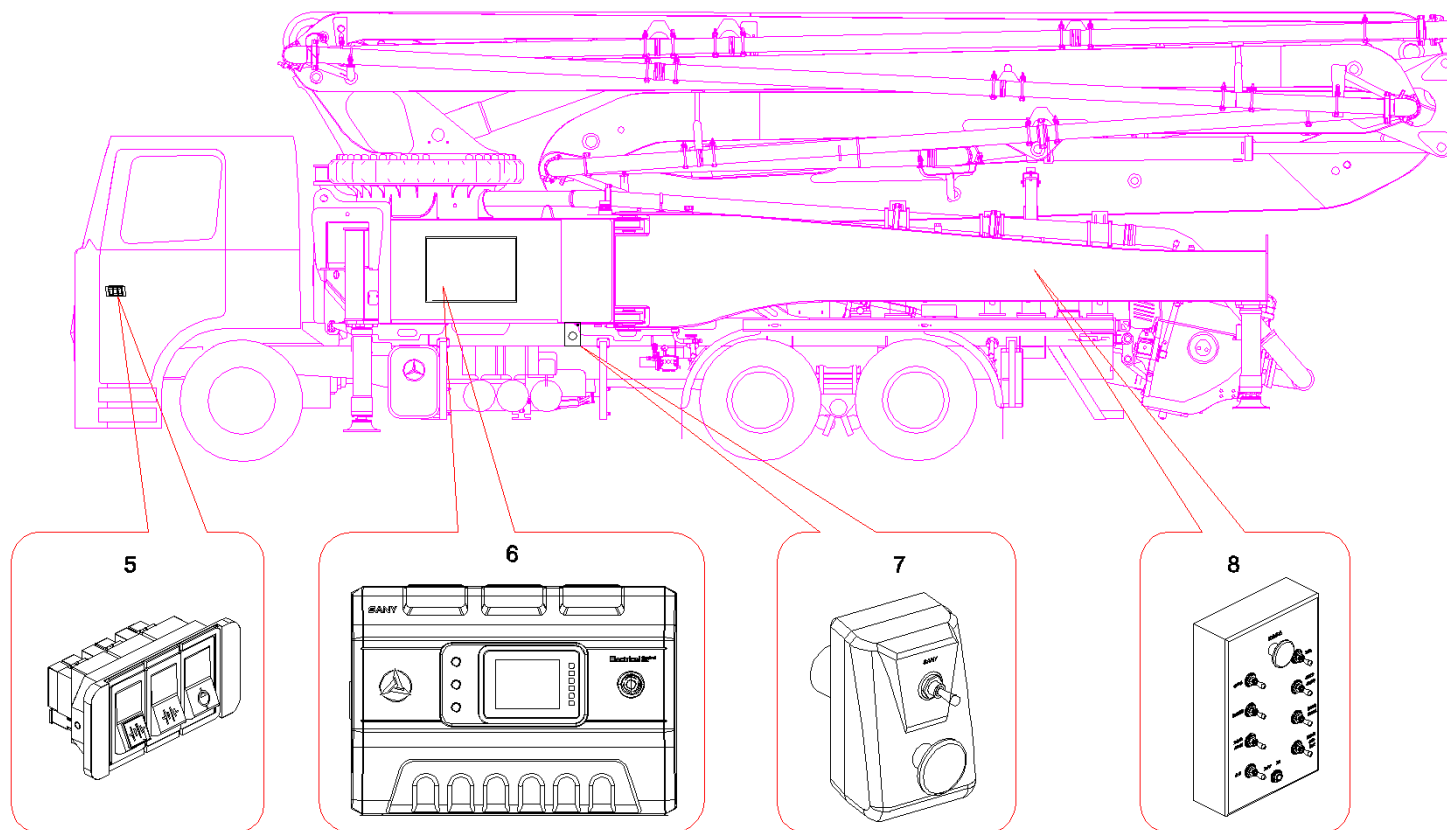


Group 8

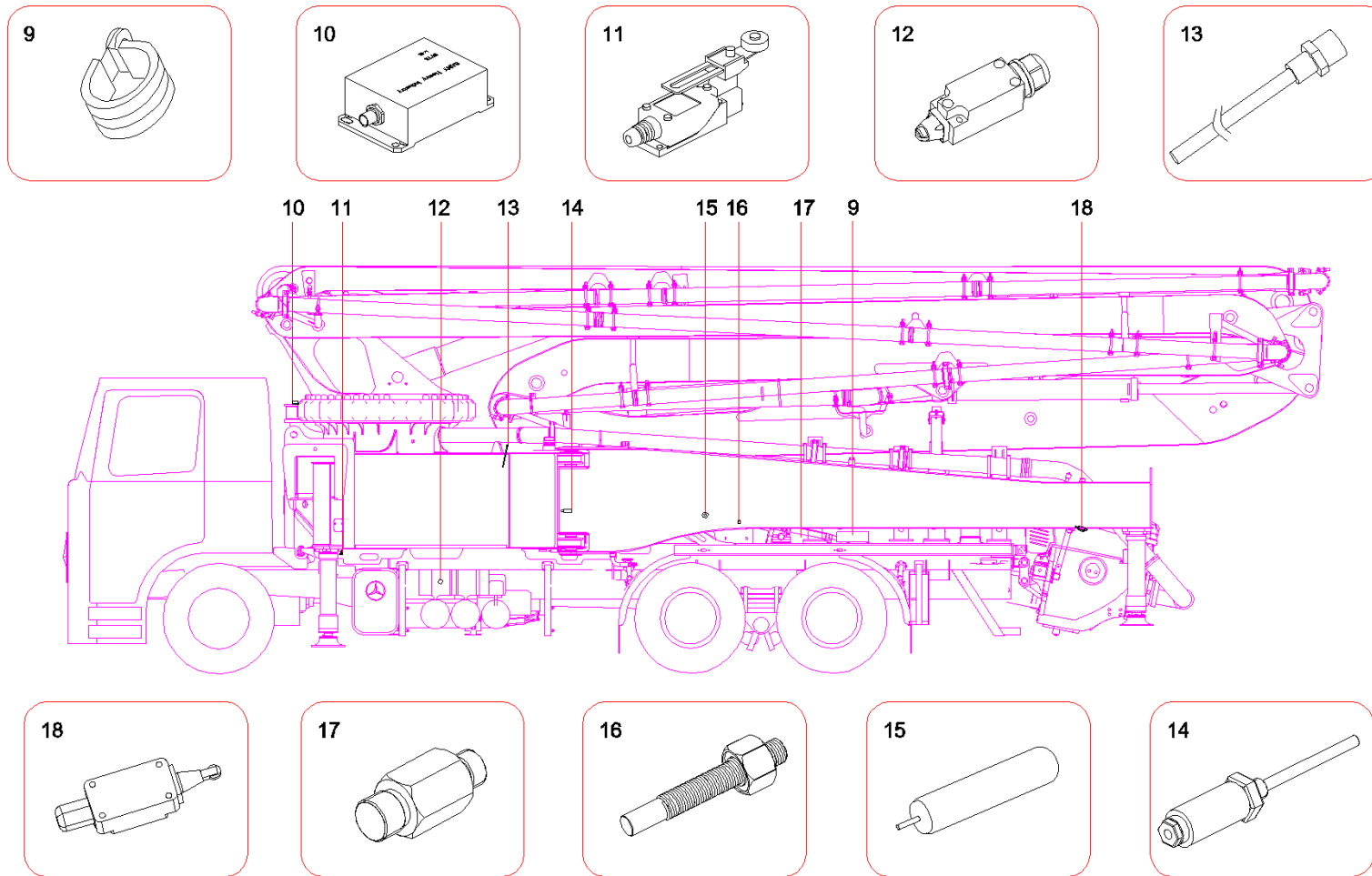
Electrical system



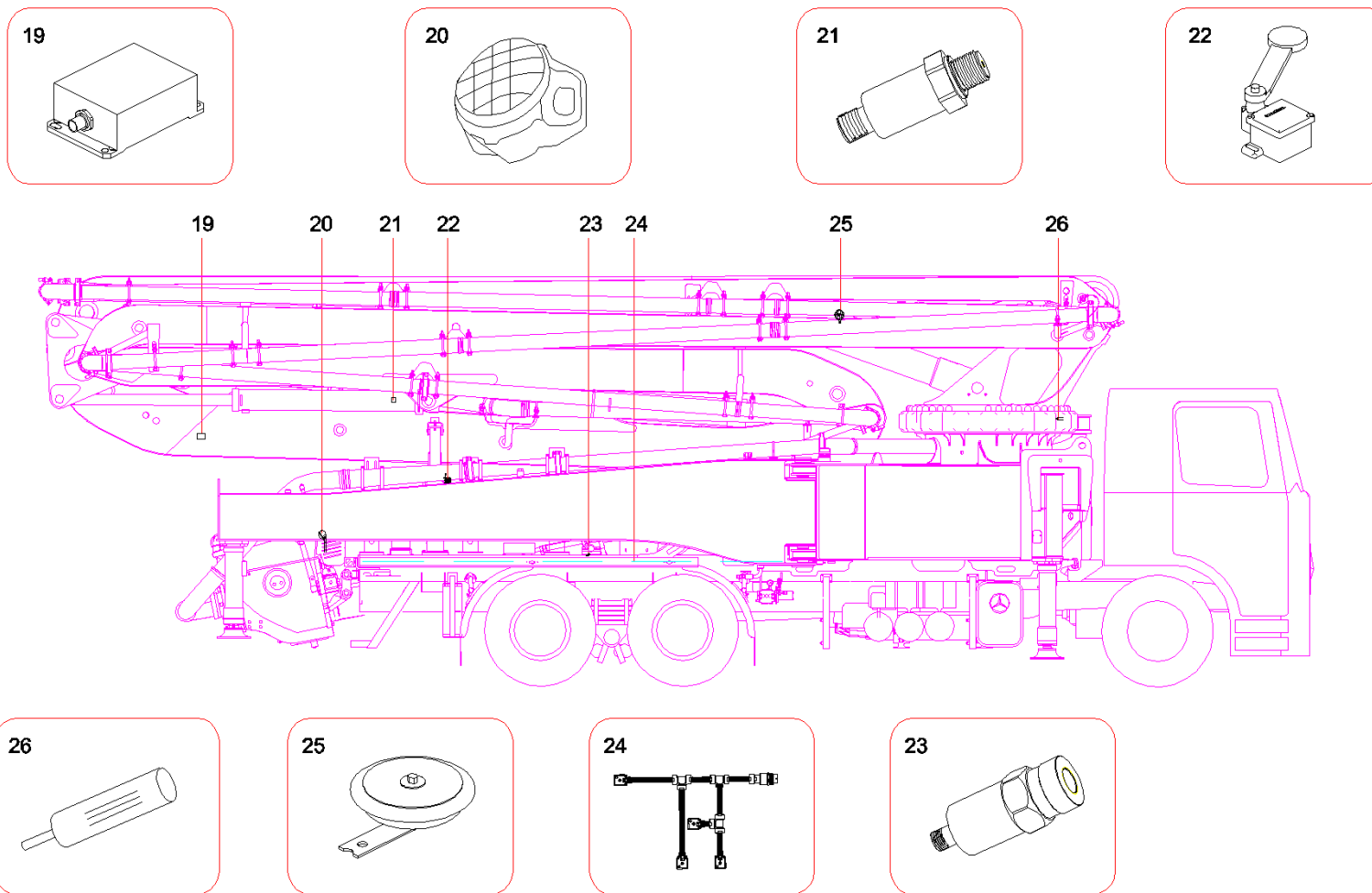
Item No.	Part No.	Description	Qty.	Remark
1	A810201202157	Box, operation, small	1	
2	12725557	Harness GP	1	
3	12726663	Electric control cabinet GP	1	
4	12562604	Remote controller GP	1	



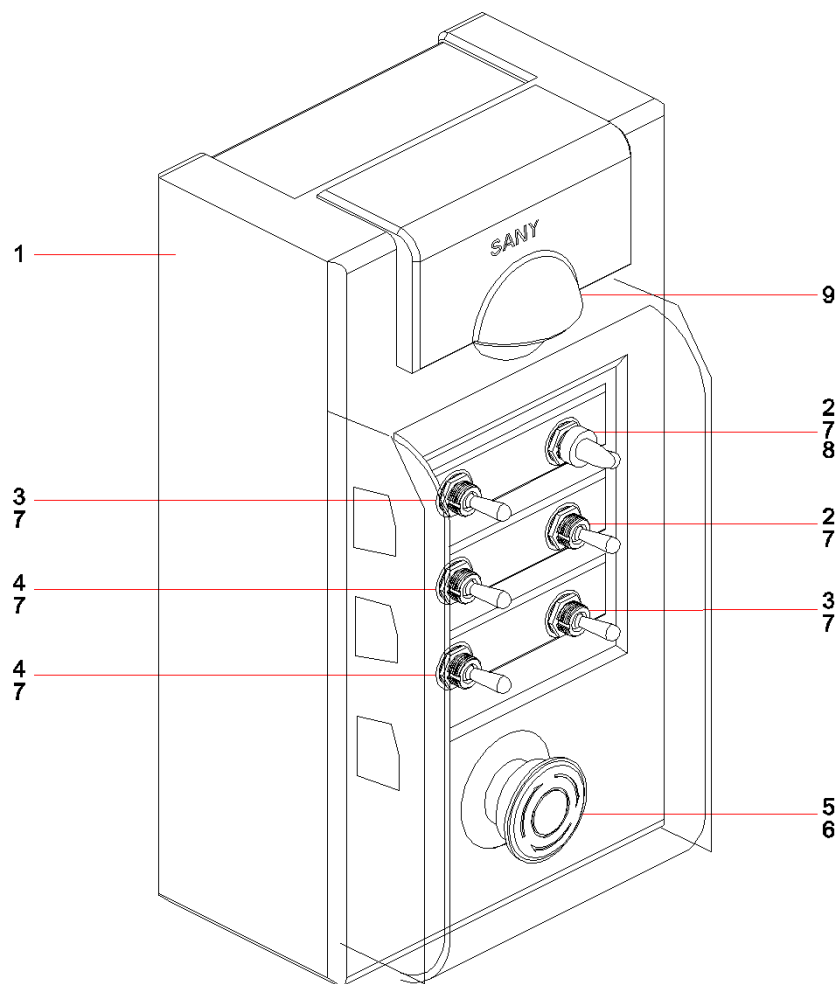
Item No.	Part No.	Description	Qty.	Remark
5	A810201052590	Appliance, electric, cab	1	
6	12822848	Electric control cabinet GP	1	
7	10510817	Box, operation, outrigger	2	
8	12758525	Box, operation, maintenance	1	



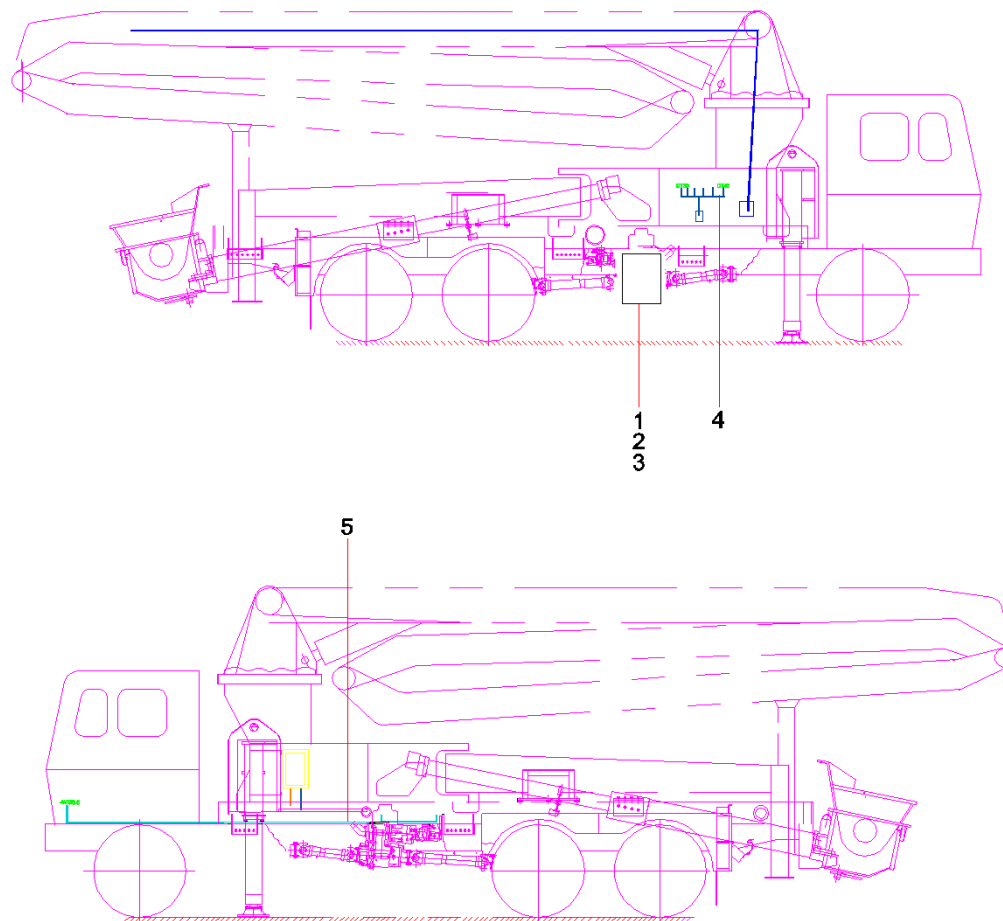
Item No.	Part No.	Description	Qty.	Remark
9	11062993	Harness fastening GP	1	
10	11053595	Tilting angle sensor GP	1	
11	12630723	Limit switch GP, X-outrigger	1	
12	11058651	Switch GP, transfer case	1	
13	11502460	Liquid level sensor GP	1	
14	11053320	Temperature sensor GP	1	
15	11053370	Liquid level sensor GP	1	
16	12670870	Proximity switch GP, oil cylinder	1	
17	12592440	Proximity switch GP, oil cylinder	1	
18	11055736	Switch GP	1	



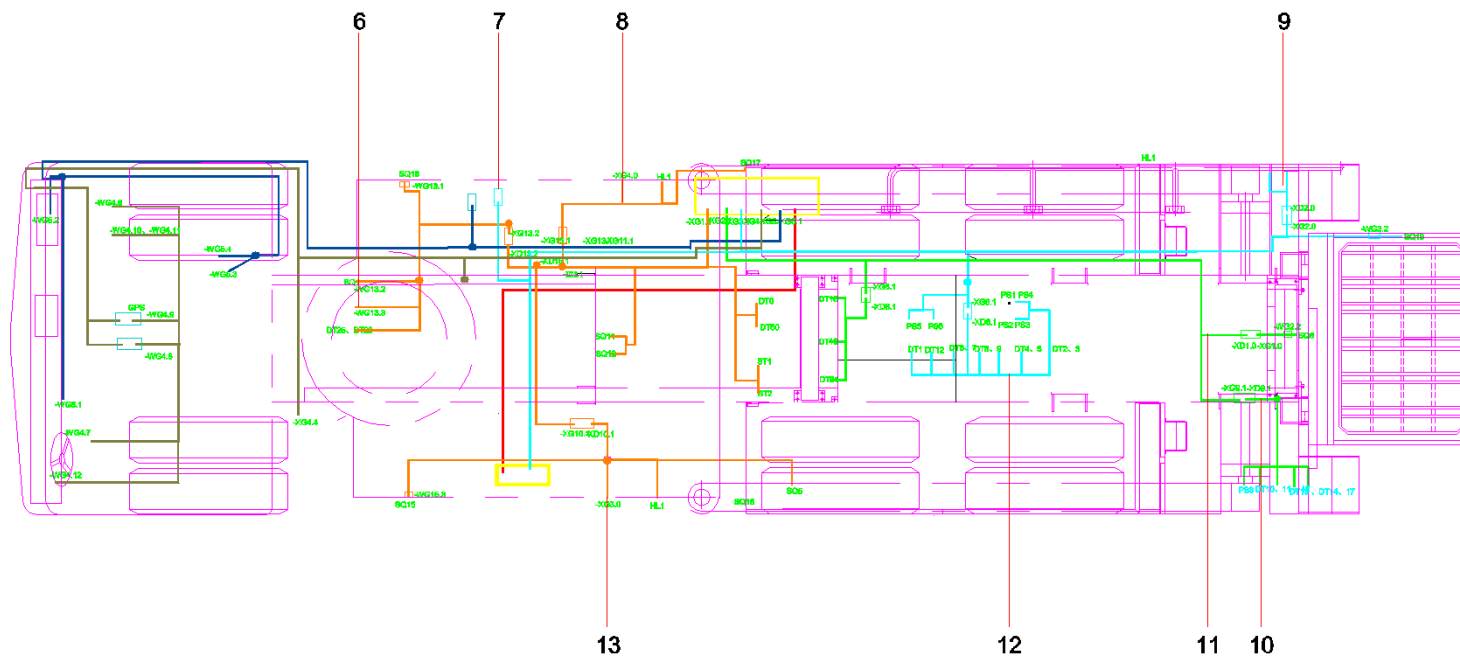
Item No.	Part No.	Description	Qty.	Remark
19	12726575	Sensor GP, shock absorbing system, boom	1	
20	12823243	Lamp GP	1	
21	12726509	Sensor GP, pressure, shock absorbing system, boom	1	
22	11053609	Limit switch GP, boom	1	
23	11502561	Sensor GP, pressure, energy efficiency	1	
24	12775476	Harness GP, chassis	1	
25	12576098	Horn GP	1	
26	11053304	Mechanic encoder GP	1	



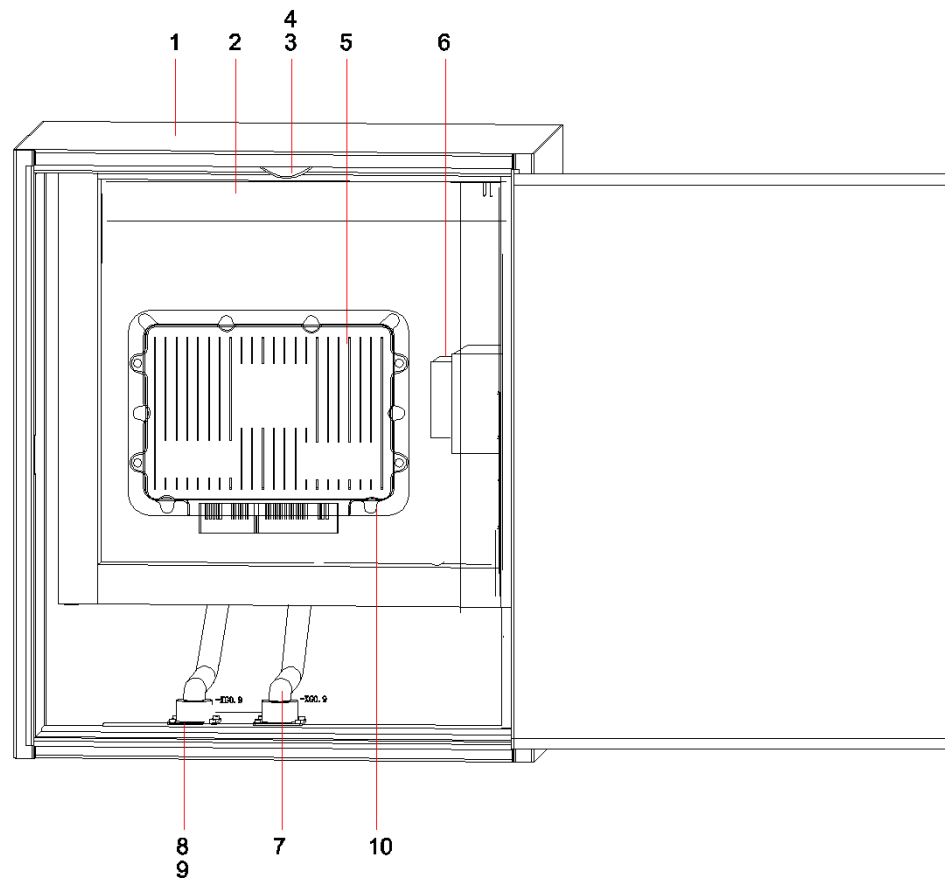
Item No.	Part No.	Description	Qty.	Remark
1	60034172	Box, operation, small	1	
2	B241200000531	Switch, toggle	2	
3	B241200000529	Switch, toggle	2	
4	B241200000530	Switch, toggle	2	
5	B240200000059	Button, emergency stop	1	
6	B240200000081	Block, contact, normally-opened	1	
7	60015462	Pad, waterproof	6	
8	A229900009656	Cap, protective	1	
9	B230101000684	O-ring	1	



Item No.	Part No.	Description	Qty.	Remark
1	12724969	Harness, main	1	
2	12725050	Harness, main	1	
3	12725058	Harness, main	1	
4	12725078	Harness, multiway valve	1	
5	12725126	Harness, air valve	1	



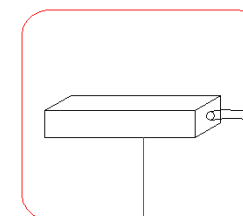
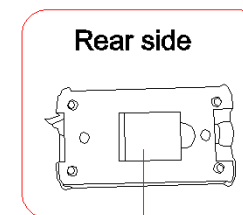
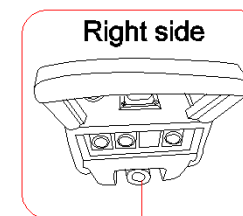
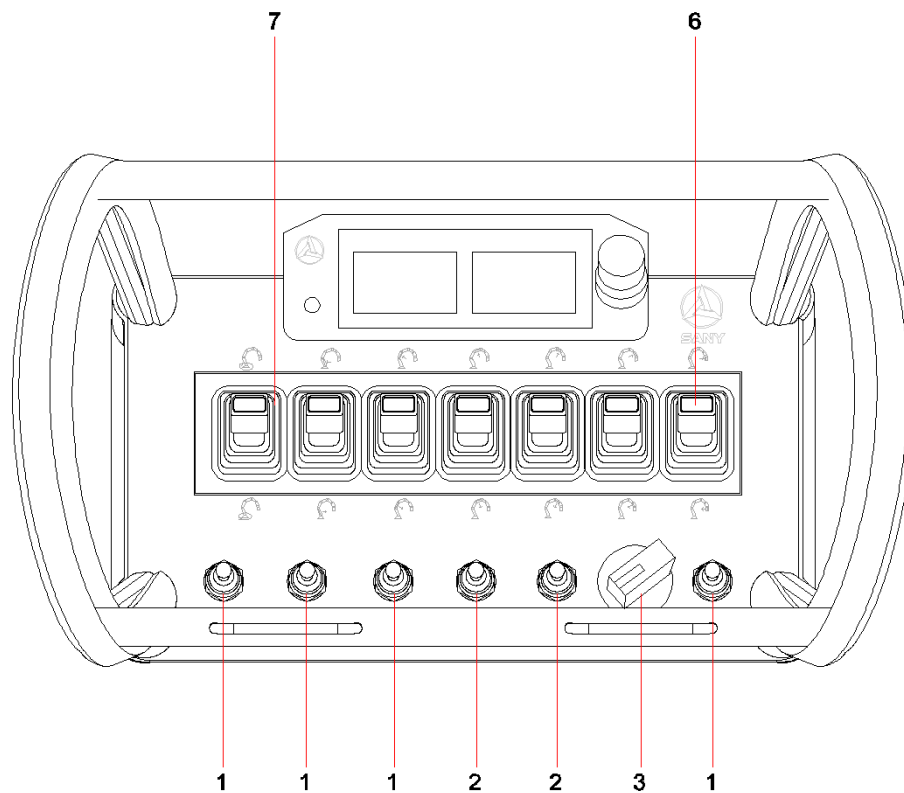
Item No.	Part No.	Description	Qty.	Remark
6	12725136	Harness, front	1	
7	12725469	Connect harness, module signal	1	
8	12725426	Harness, outside, right	1	
9	12725486	Harness, connect, operation box, small	1	
10	12725428	Harness, auxiliary valve block	1	
11	12725480	Harness, connect, operation box, maintenance	1	
12	12725451	Harness, main valve block	1	
13	12725465	Harness, outside, left	1	



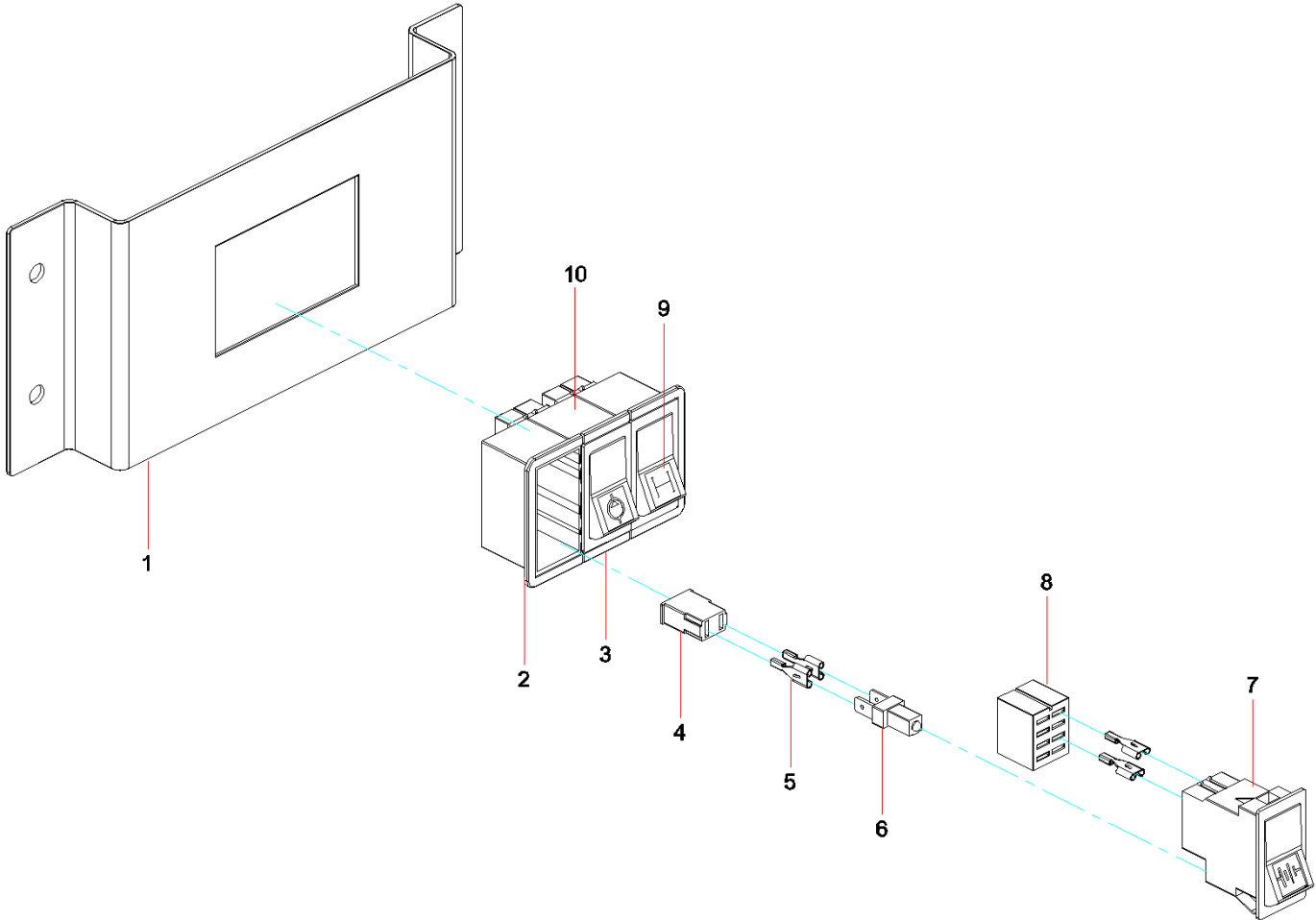
Item No.	Part No.	Description	Qty.	Remark
1	11427393	Cabinet body, electric control	1	
2	60067207	Trunk, wire	1	
3	60016006	Lamp, working	1	
4	B249900001268	Connector, conductor	2	
5	12726358	Sany encourage hydraulic controller As	1	
6	60065075	Box, distribution, power	1	
7	12725659	Wire harness details of electric control	1	
8	B229900006163	Plate, positioning	2	
9	B229900006162	Gasket	2	
10	12780123	Pad, rubber	2	

This page intentionally left blank

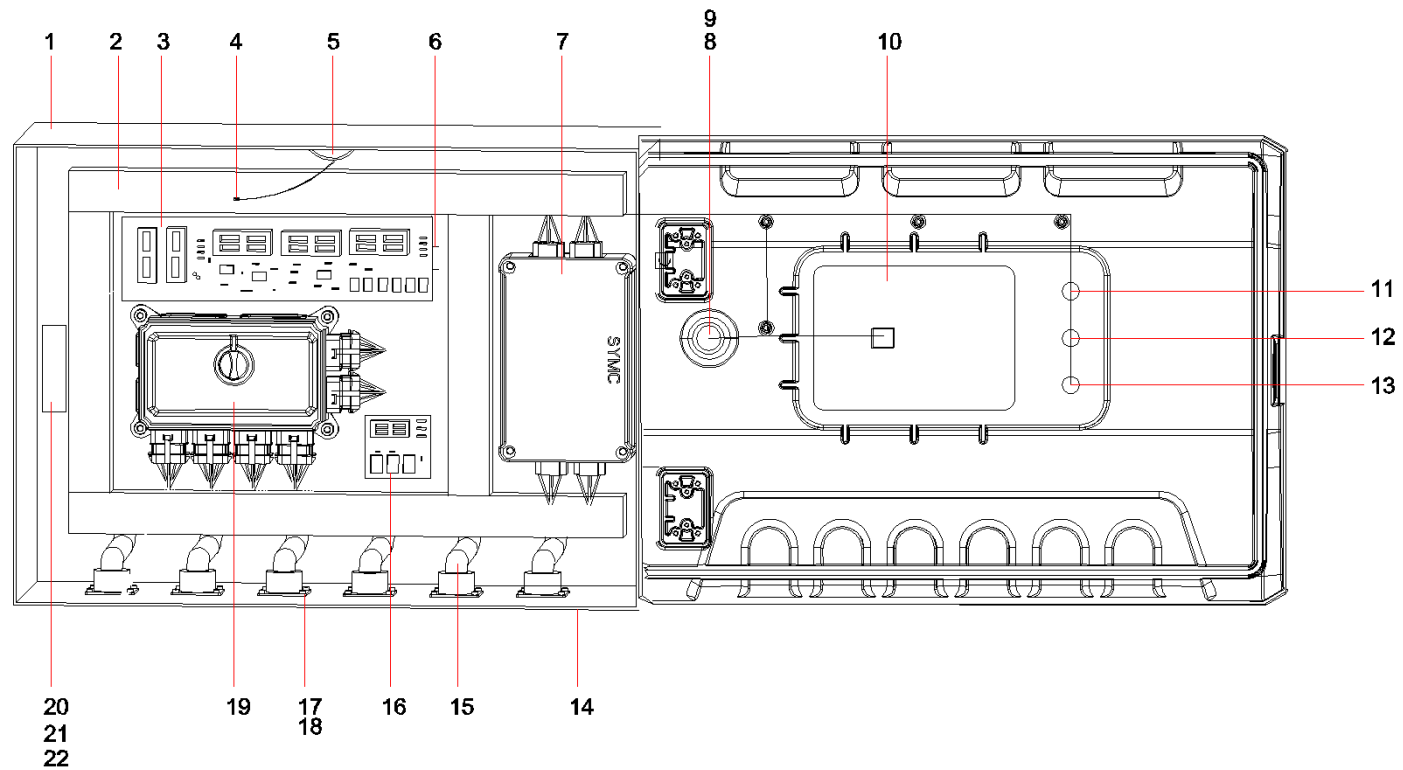
Item No.	Part No.	Description	Qty.	Remark
1	60198956	Controller, remote	1	
2	A239900000416	Bag, remote controller	1	



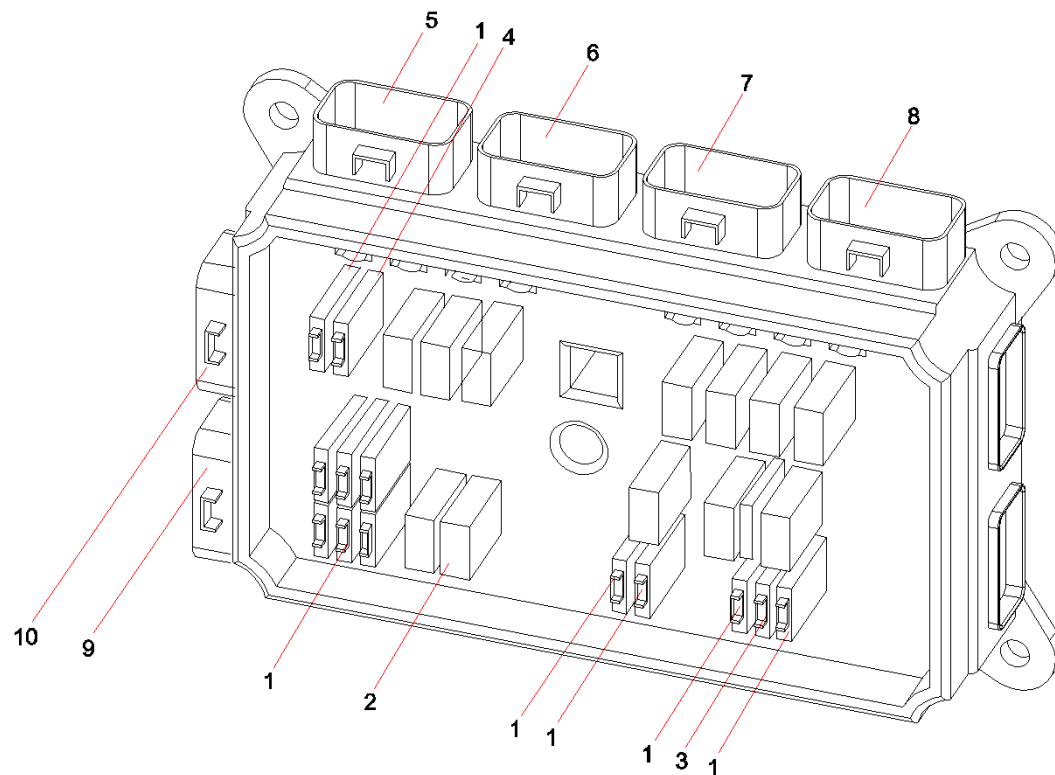
Item No.	Part No.	Description	Qty.	Remark
1	60147996	Switch, toggle	4	
2	60147998	Switch, toggle	2	
3	60148001	Switch, rotary	1	
4	60004234	Battery	1	
5	B241200000829	Switch, emergency stop	1	
6	B249900001053	Joystick	7	
7	B249900000688	Sleeve, rubber, joystick	7	
8	B229900000037	Vehicle charger	1	



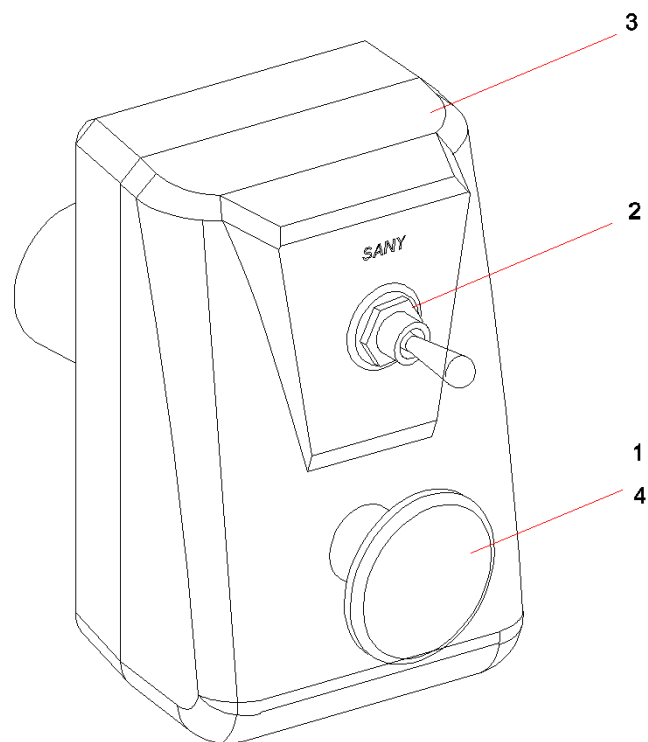
Item No.	Part No.	Description	Qty.	Remark
1	A820101013693	Framework, operating disc	1	
2	B249900000091	Frame	2	
3	B249900000092	Frame	1	
4	B241200000078	Sleeve, protective, socket, two-wire	3	
5	A241000000040	socket, Sectional	12	
6	60067206	Lamp	3	
7	B241200000084	Switch, rocker	1	
8	B241200000185	Assembly, protective sleeve, eight-wire socket	3	
9	A810201072022	Nameplate GP	1	
10	B241200000083	Switch, rocker	2	



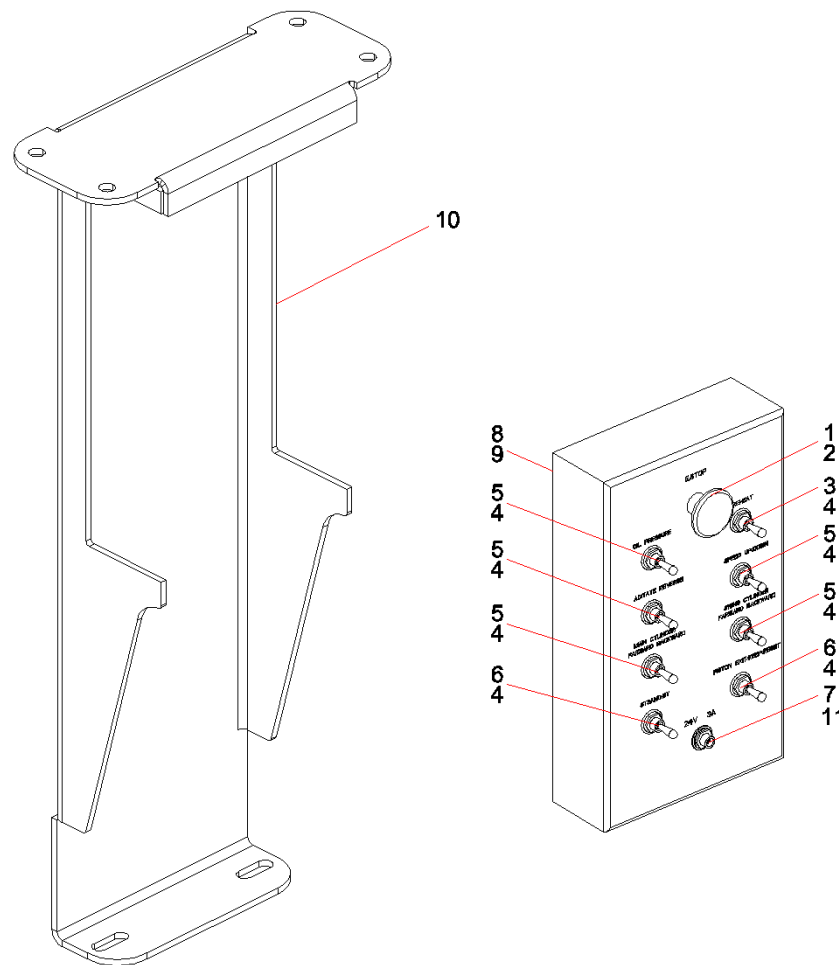
Item No.	Part No.	Description	Qty.	Remark
1	12783692	Cabinet, control, electric	1	
2	60067207	Trunk, wire	3	
3	A810299000730	Electrical panel GP, SANY	1	
4	B249900001268	Connector, conductor	3	
5	60016006	Lamp, working	1	
6	A241600000011	Bail	1	
7	A810299000682	SANY motion controller GP	1	
8	B240200000059	Button, emergency stop	1	
9	B240200000081	Block, contact, normally-opened	1	
10	A810299000577	SANY liquid crystal display GP	1	
11	60047631	Lamp, indicator	1	
12	60047630	Lamp, indicator	1	
13	B241200000529	Switch, toggle	1	
14	11619369	Pad, rubber	1	
15	12725653	Wire harness details of electric control	1	
16	A810299000640	Control plate GP, throttle	1	
17	B229900006162	Gasket	6	
18	B229900006163	Plate, positioning	6	
19	60076986	Box, distribution, power, central	1	
20	A819600002562	SANY electrical panel GP	1	
21	B241200000450	Plug, nine-wire	2	
22	A241600000003	Bail	1	



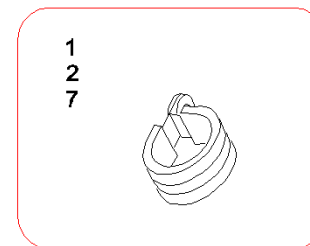
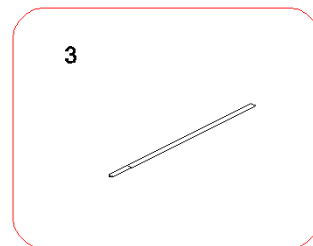
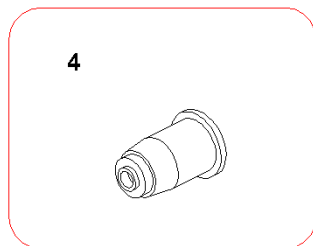
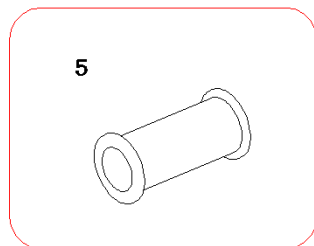
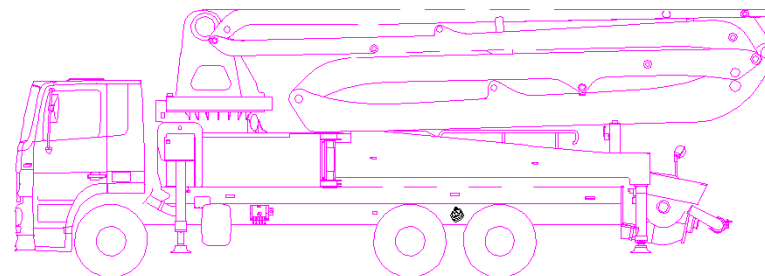
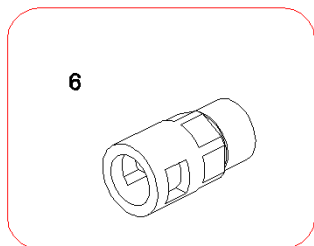
Item No.	Part No.	Description	Qty.	Remark
1	B241200001103	Breaker	11	
2	60090694	Relay	12	
3	60180579	Breaker	1	
4	B241200001104	Breaker	1	
5	B241000000338	Jacket, output end	1	
6	B241000000336	Jacket, output end	1	
7	B241000000340	Jacket, output end	1	
8	B241000000337	Jacket, output end	1	
9	B241000000339	Jacket, output end	1	
10	60180580	Jacket, output end	1	



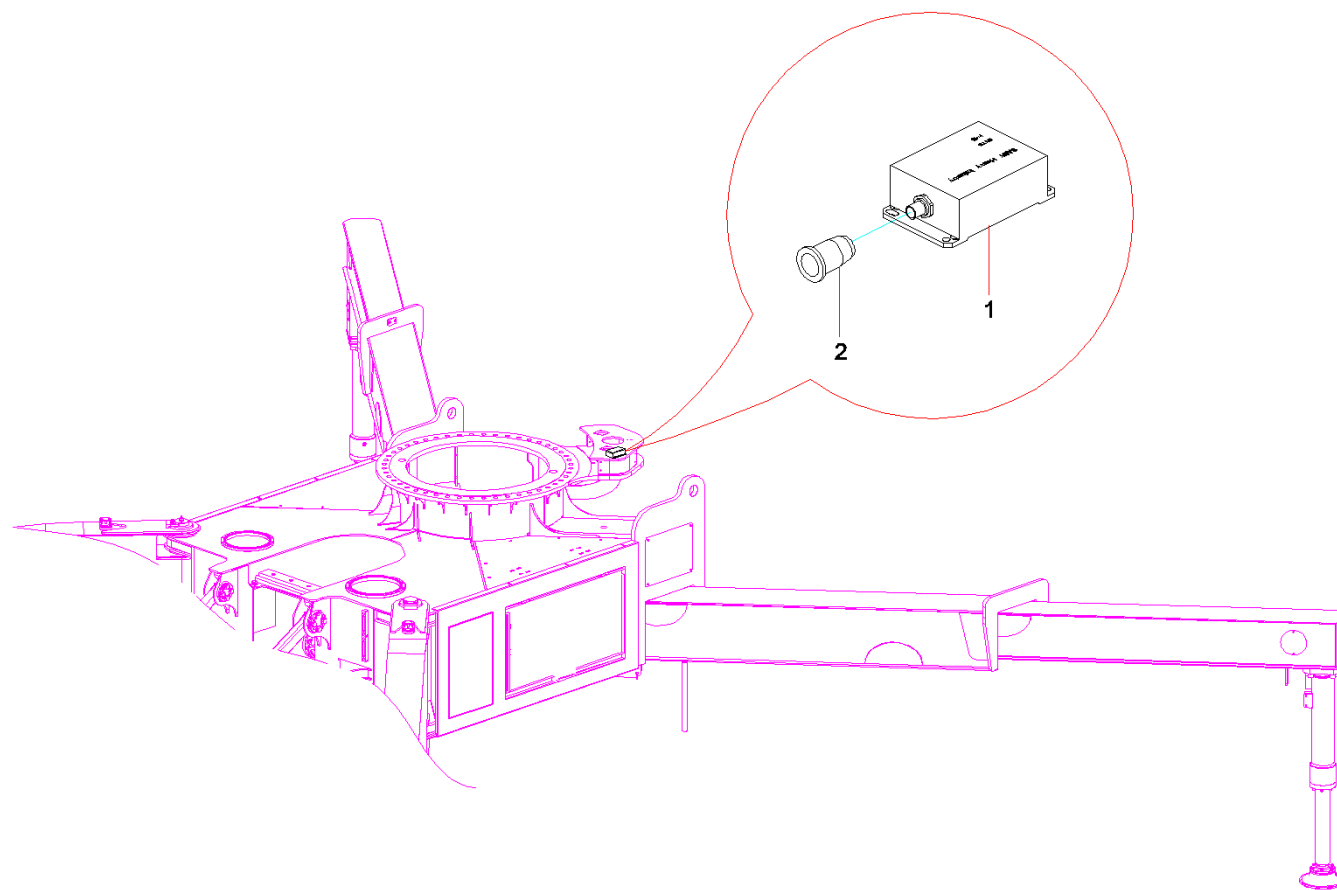
Item No.	Part No.	Description	Qty.	Remark
1	B24020000059	Button, emergency stop	1	
2	B241200000531	Switch, toggle	1	
3	60034173	Box, operation, outrigger	1	
4	B240200000081	Block, contact, normally-opened	1	



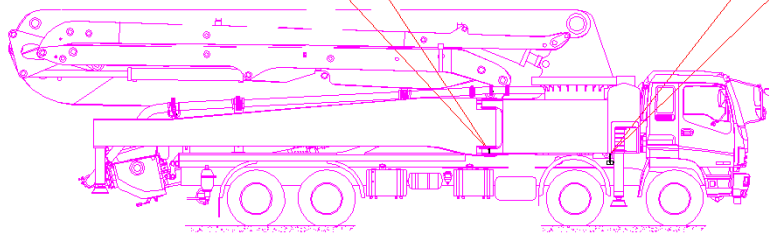
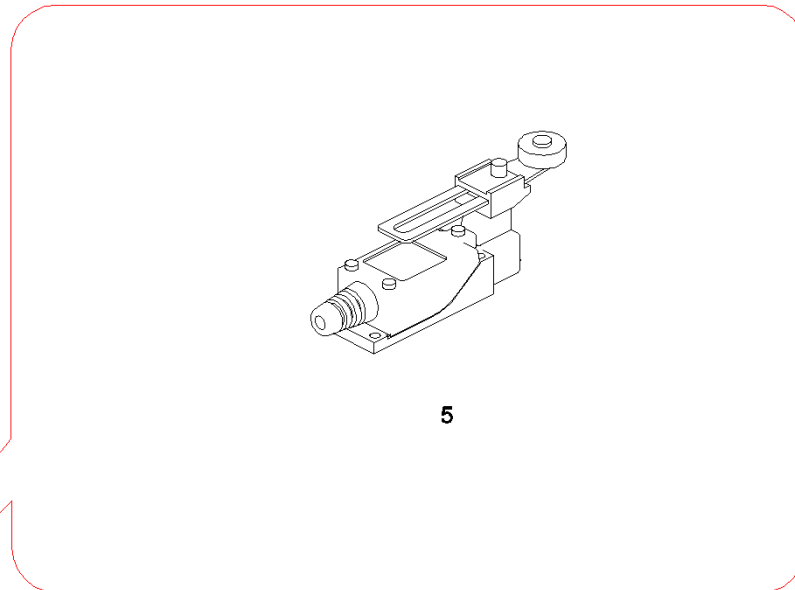
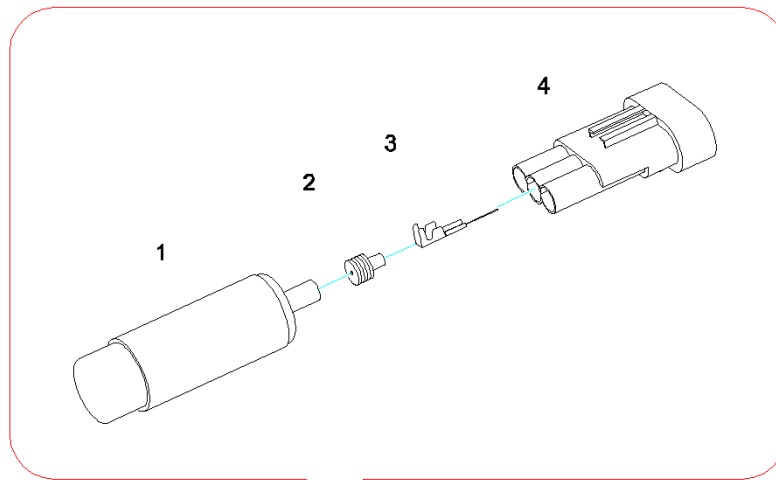
Item No.	Part No.	Description	Qty.	Remark
1	B24020000059	Button, emergency stop	1	
2	B24020000081	Block, contact, normally-opened	1	
3	B24120000529	Switch, toggle	1	
4	60015462	Pad, waterproof	8	
5	B24120000531	Switch, toggle	5	
6	B24120000530	Switch, toggle	2	
7	60125605	Socket, power supply, direct current	1	
8	11092713	Box GP, operation, maintenance	1	
9	A229900004065	Nut, nylon	1	
10	12680388	Support	1	
11	A24100000040	socket,Sectional	2	



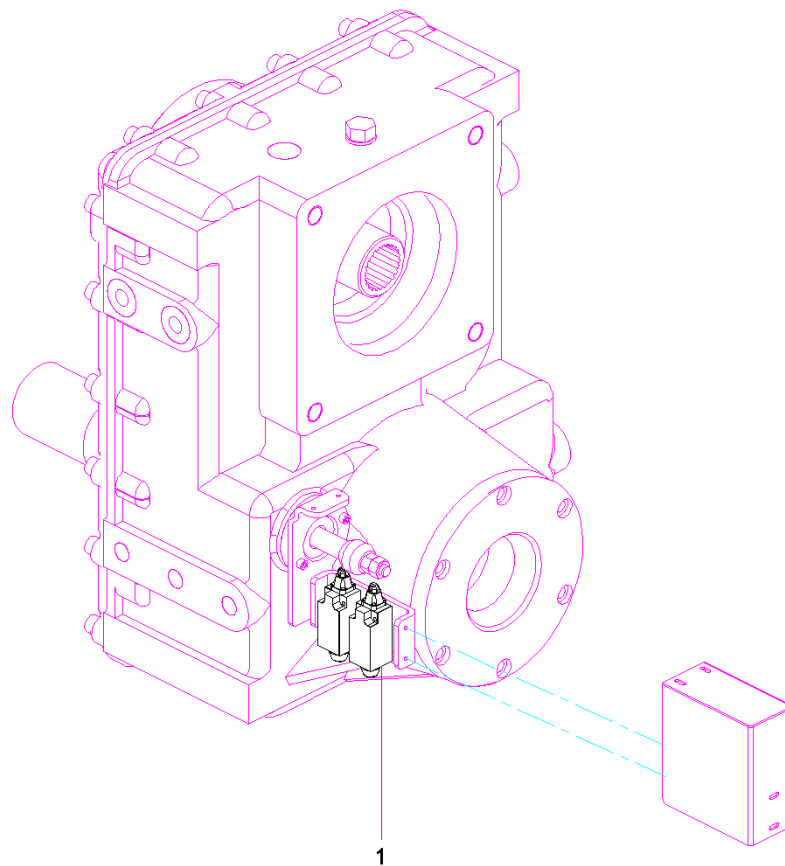
Item No.	Part No.	Description	Qty.	Remark
1	A229900004095	Clamp, fastening	20	
2	A229900004092	Clamp, fastening	150	
3	A249900001492	Clamp, cord	10	
4	A229900004103	Plug, choke, hose	3	
5	A229900004382	Connector, hose, quick	18	
6	A229900004483	Connecting part, direct, hose	4	
7	A229900004096	Fastening clamp	4	



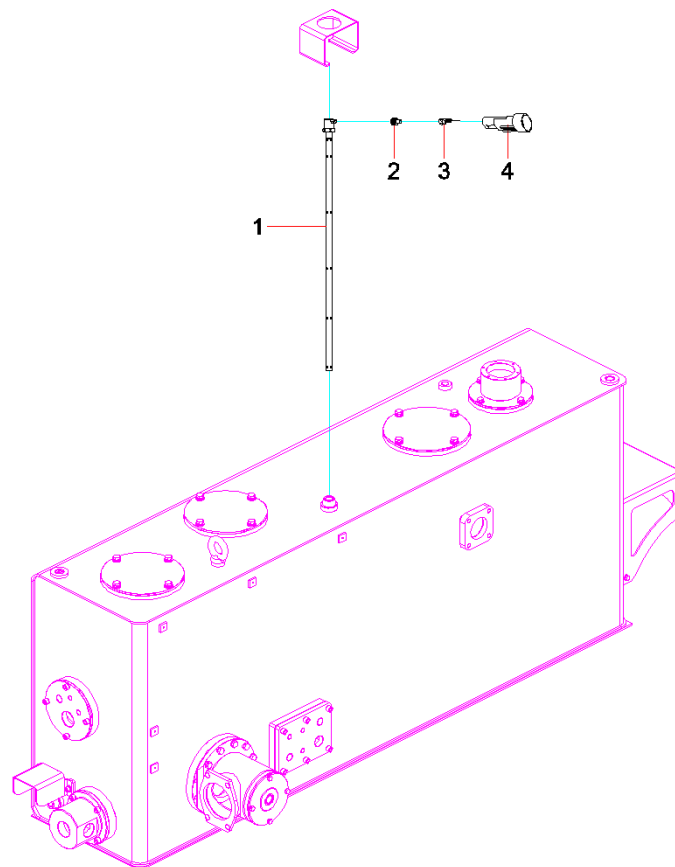
Item No.	Part No.	Description	Qty.	Remark
1	A810299000530	Tilting angle sensor GP	1	
2	A229900004103	Plug, choke, hose	1	



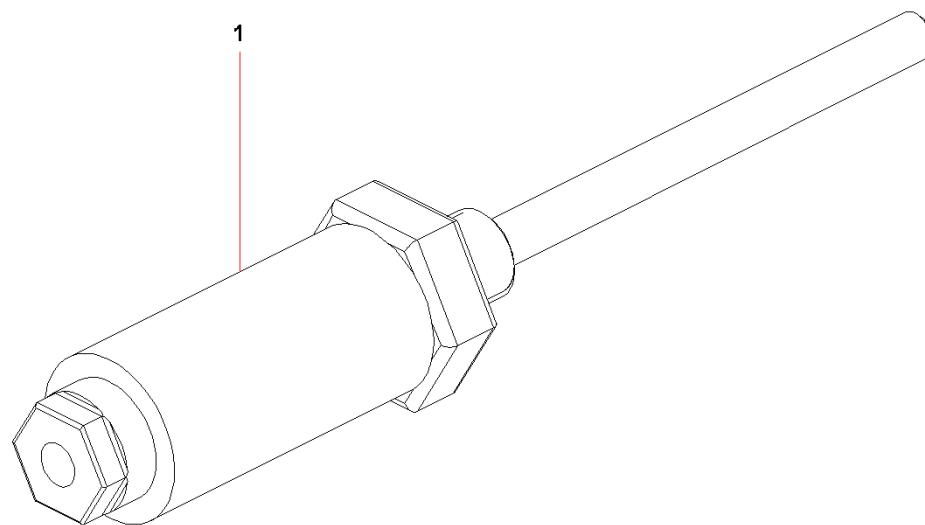
Item No.	Part No.	Description	Qty.	Remark
1	B241200000440	Switch, proximity	2	
2	B241000000019	Sealing parts	6	
3	B241000000002	Plug, chip-type	6	
4	B241000000004	Protective sleeve GP, plug, three-wire	2	
5	B240100000005	Switch, limit	2	



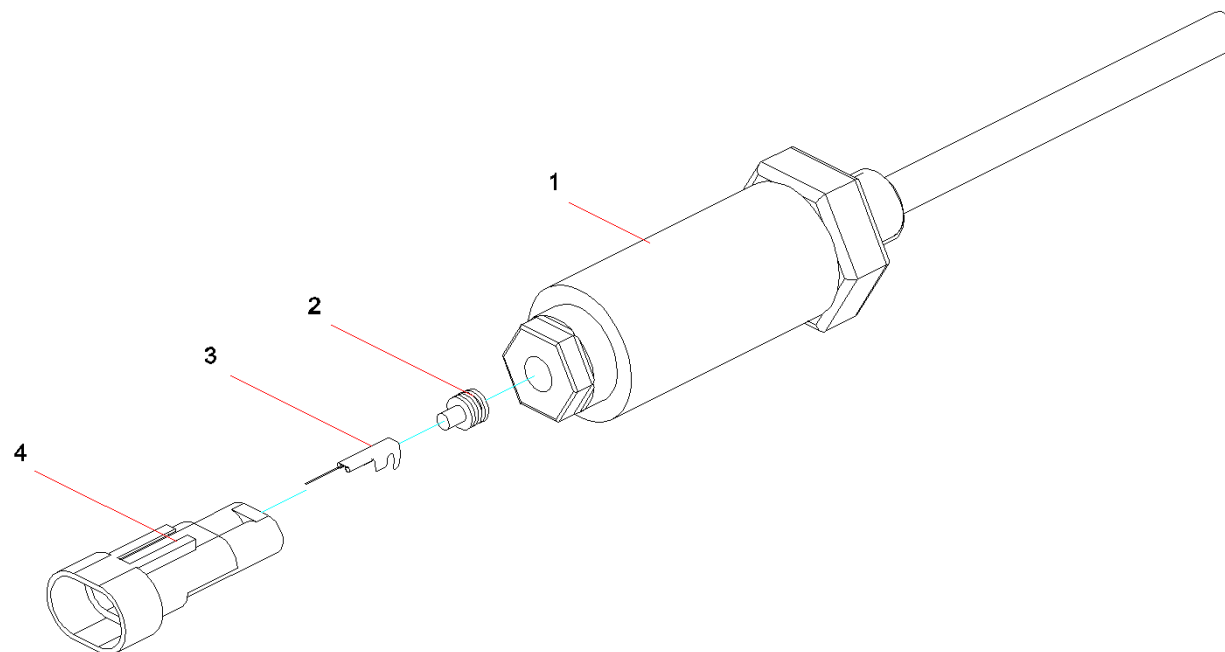
Item No.	Part No.	Description	Qty.	Remark
1	60034039	Switch, limit	2	



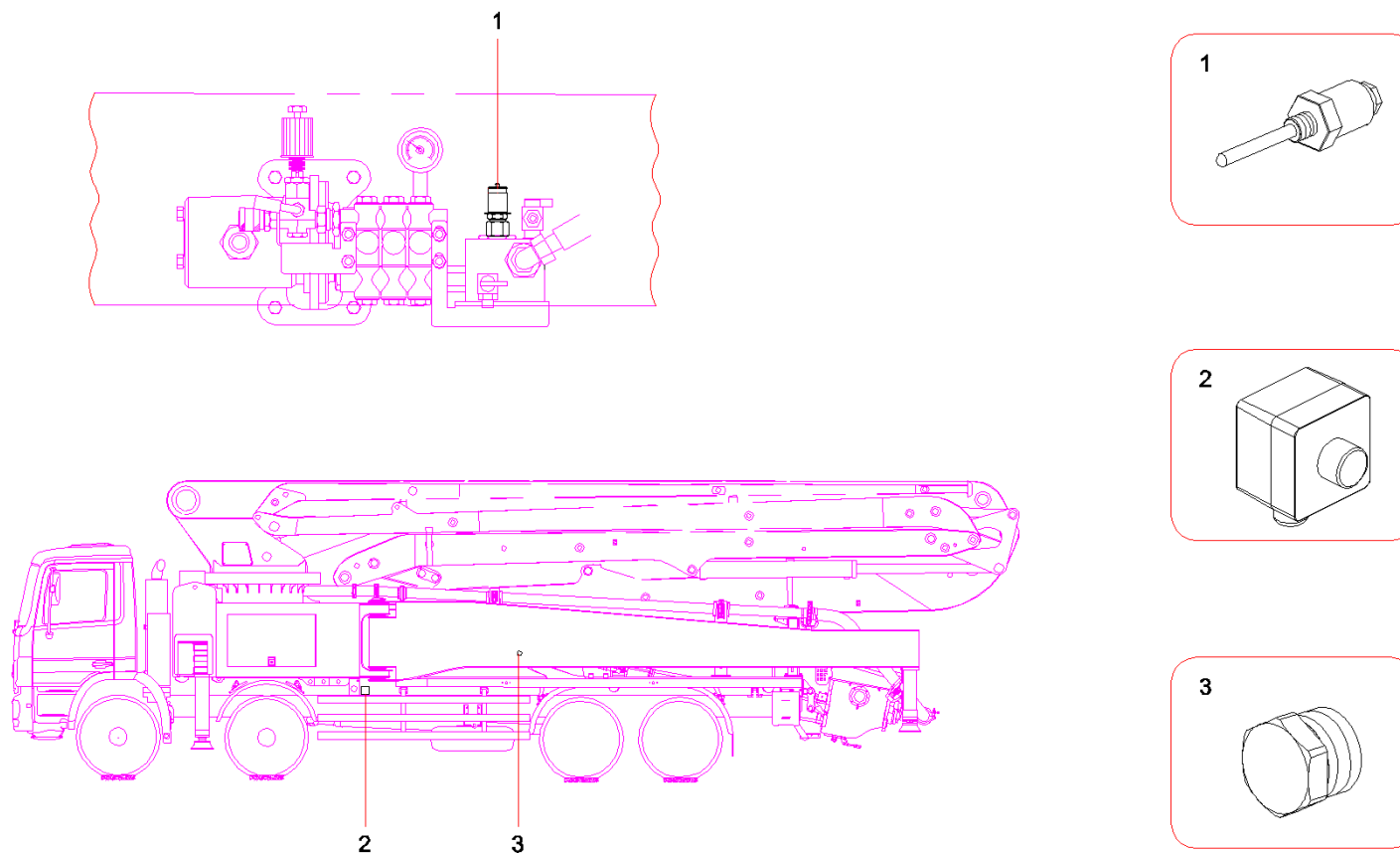
Item No.	Part No.	Description	Qty.	Remark
1	60068497	Sensor, liquid level	1	
2	B241000000019	Sealing parts	2	
3	B241000000002	Plug, chip-type	2	
4	B241000000003	Jacket, plug, two-wire	1	



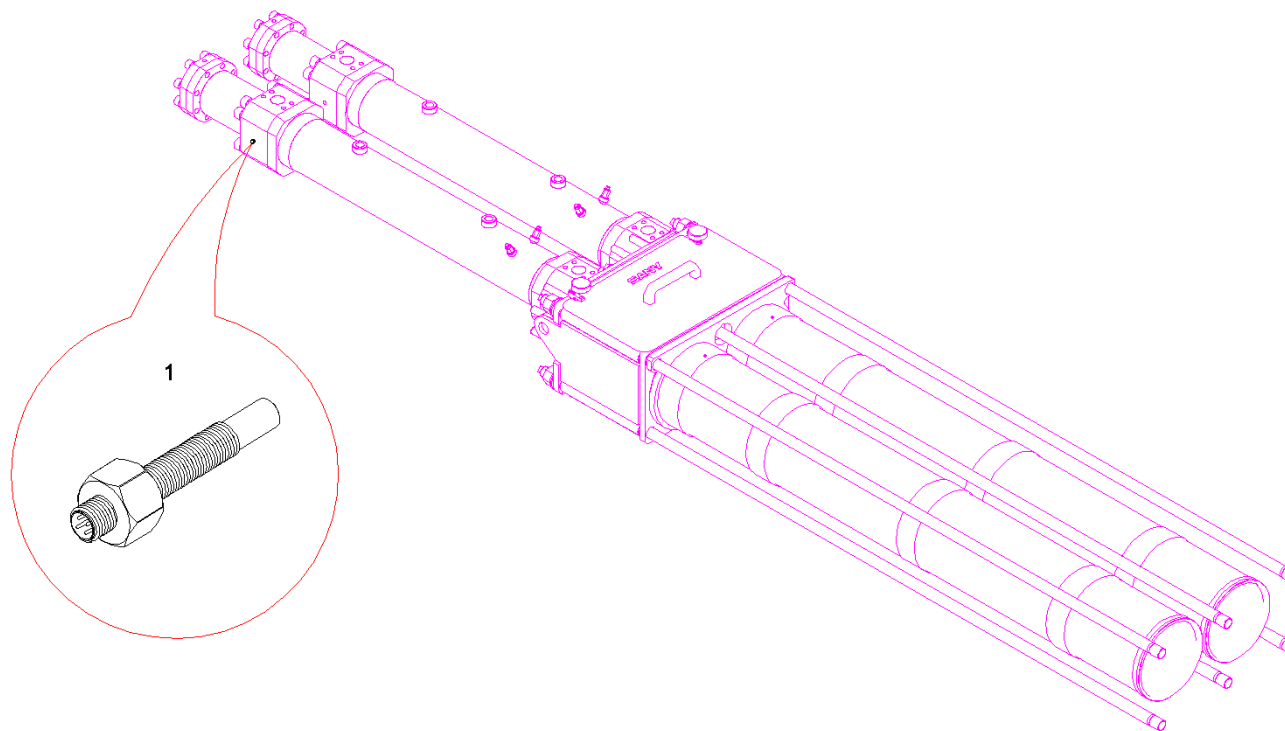
Item No.	Part No.	Description	Qty.	Remark
1	11744789	Sensor, temperature	2	



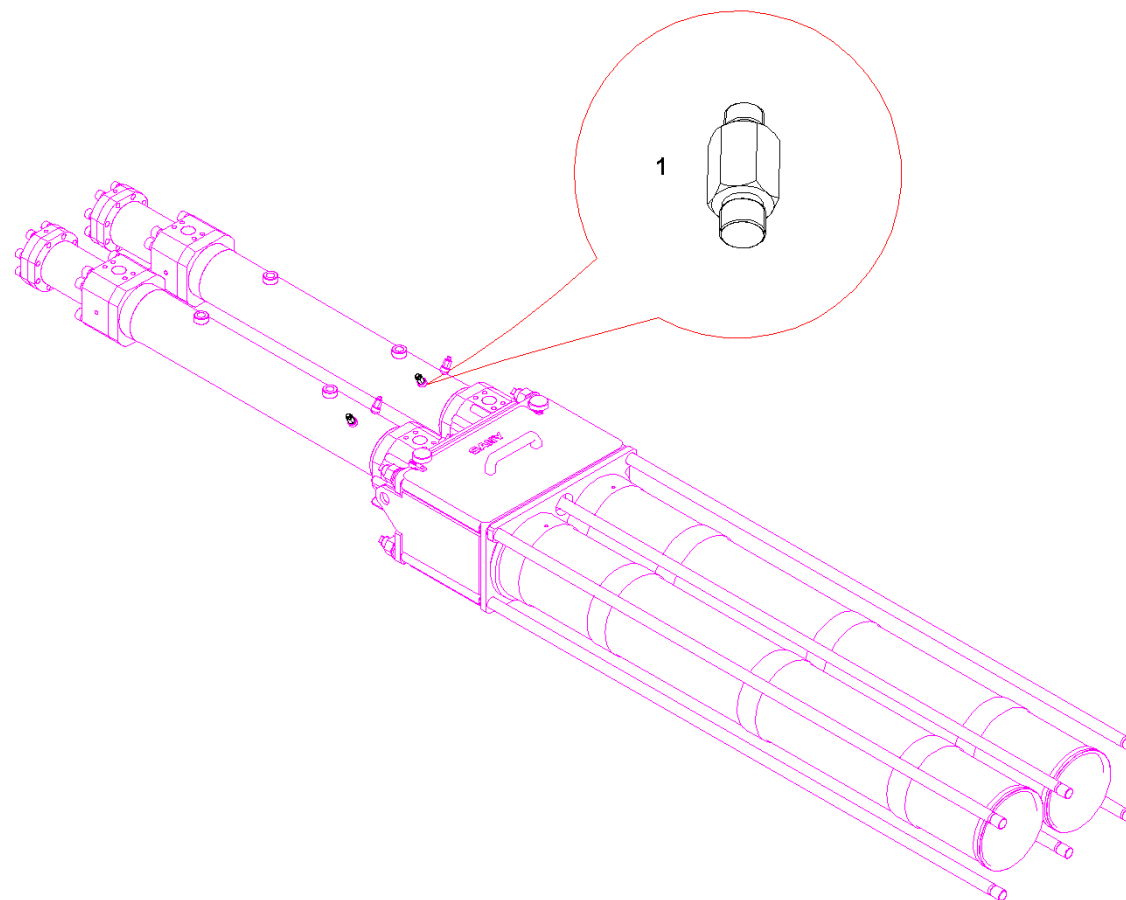
Item No.	Part No.	Description	Qty.	Remark
1	60023678	Sensor, temperature	1	
2	B241000000019	Sealing parts	2	
3	B241000000002	Plug, chip-type	2	
4	B241000000003	Jacket, plug, two-wire	1	



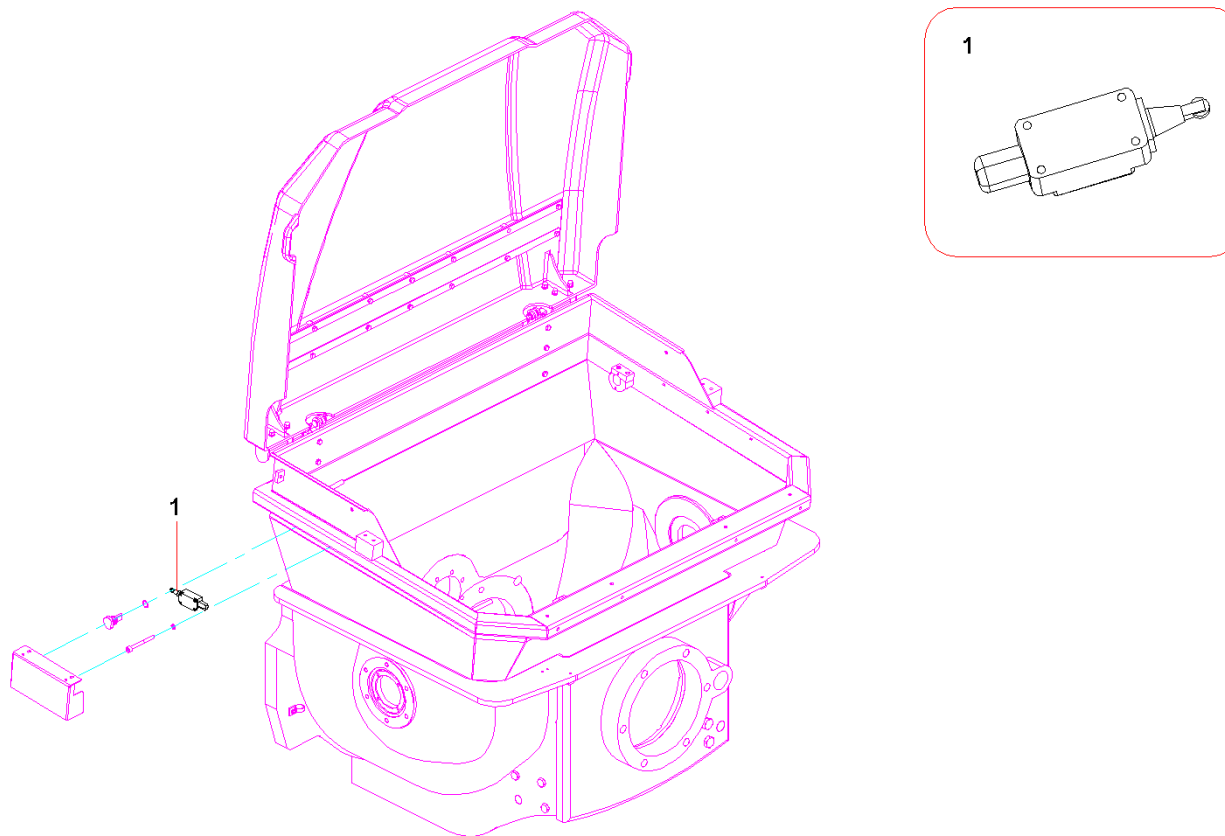
Item No.	Part No.	Description	Qty.	Remark
1	60185391	Sensor, water level	1	
2	60190300	Control box GP, APT	1	
3	10763074	Plug	1	



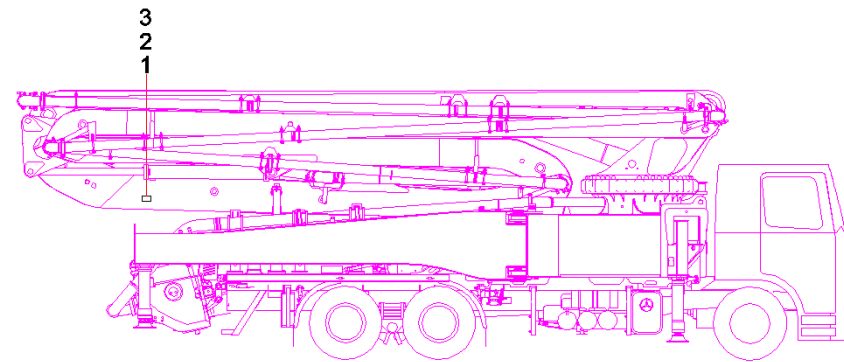
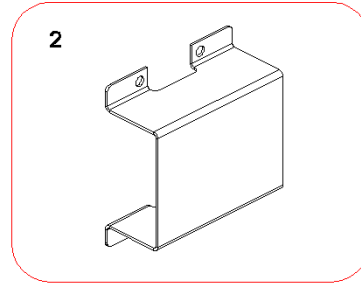
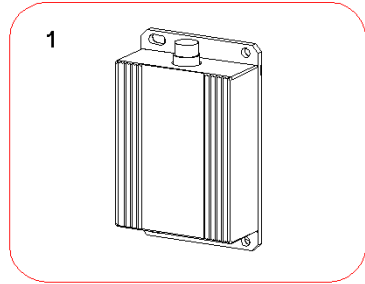
Item No.	Part No.	Description	Qty.	Remark
1	60093328	Switch,proximity	2	



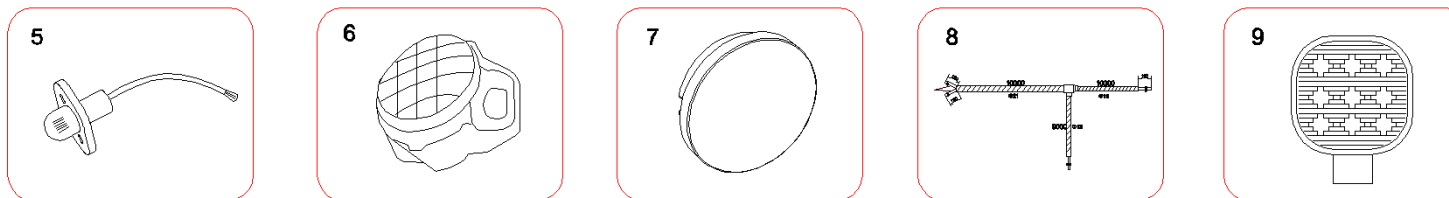
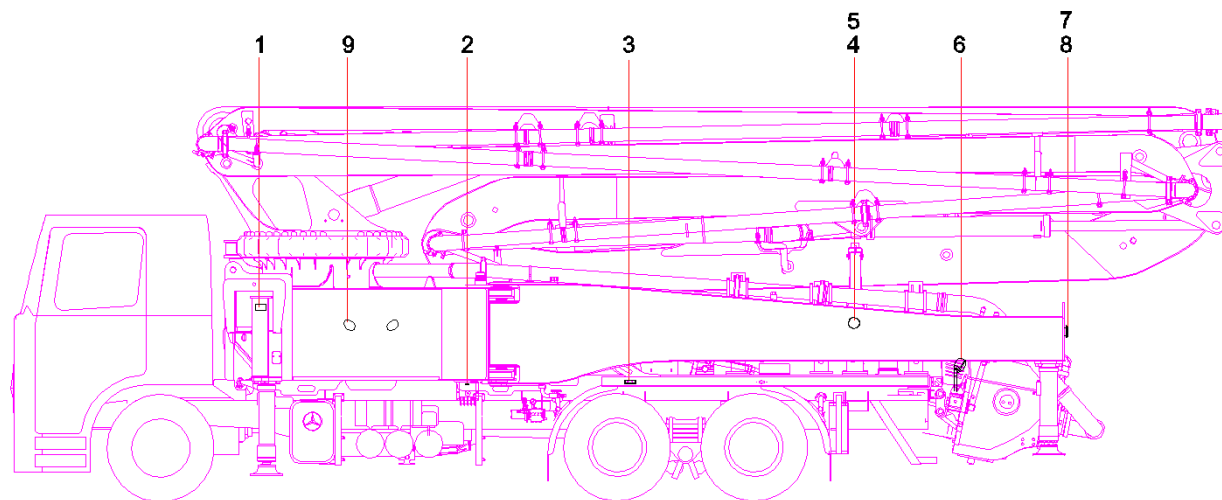
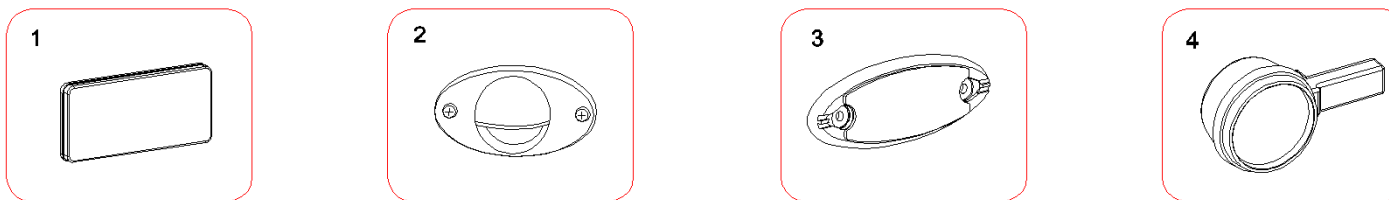
Item No.	Part No.	Description	Qty.	Remark
1	60010437	Switch, proximity	2	



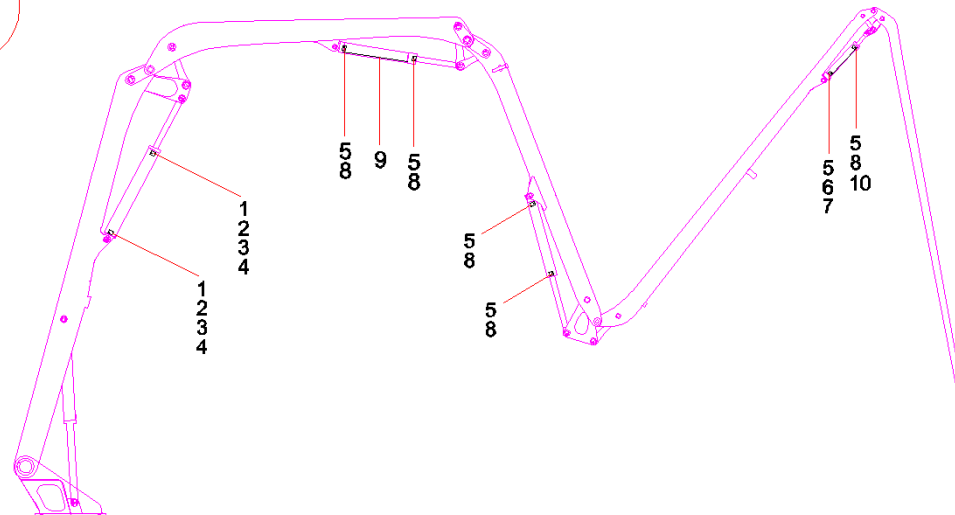
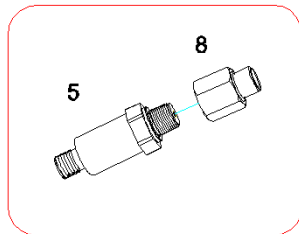
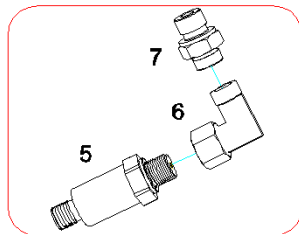
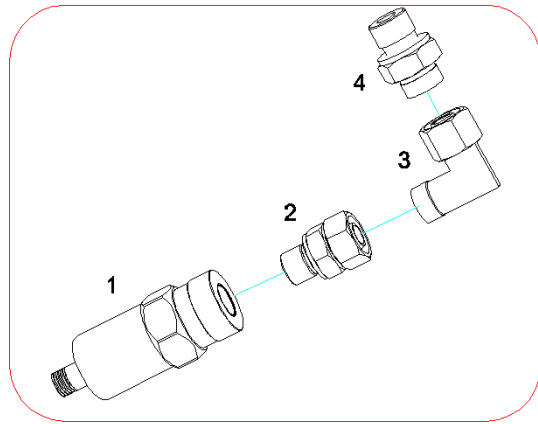
Item No.	Part No.	Description	Qty.	Remark
1	60026031	Switch, limit	1	



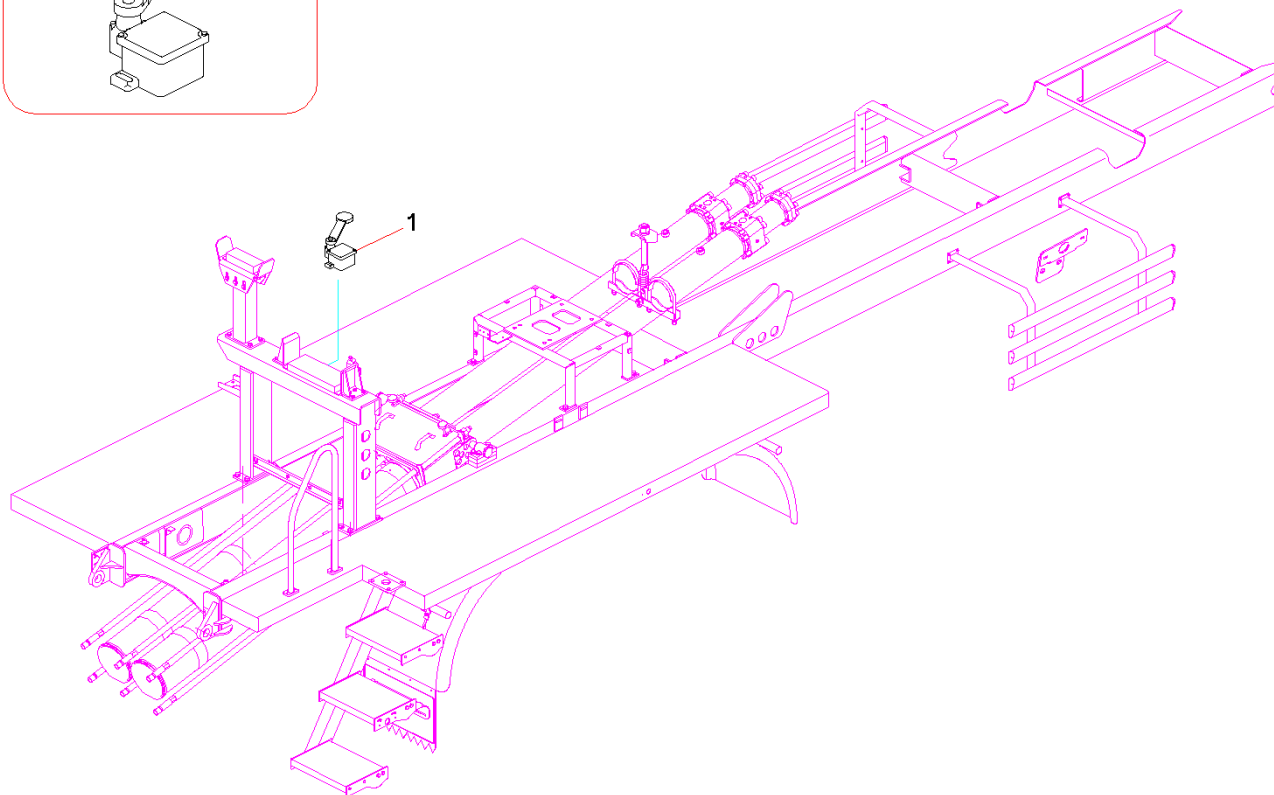
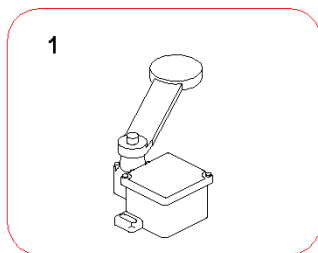
Item No.	Part No.	Description	Qty.	Remark
1	A810299000525	Sensor, obliquity	5	
2	11329516	Plate, cover	5	
3	12725637	Circuit, boom	1	



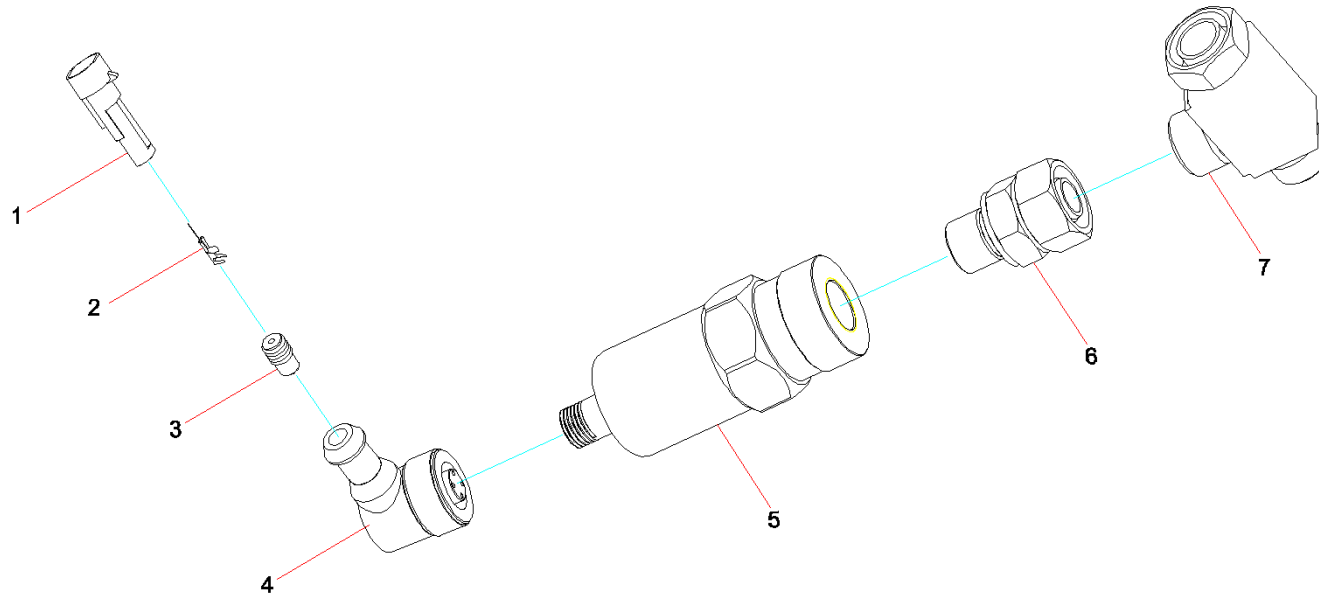
Item No.	Part No.	Description	Qty.	Remark
1	A229900009868	Reflector, responsive, side	2	
2	A241100000514	Lamp, license	4	
3	60106604	Lamp, marker, side	10	
4	B241100000125	Lamp, hand	1	
5	B241100000047	Bulb	1	
6	60167487	Lamp, working	1	
7	60126367	Lamp, clearance, rear	2	
8	12565818	Harness, lamp, outrigger	1	
9	60126366	Lamp, working	4	



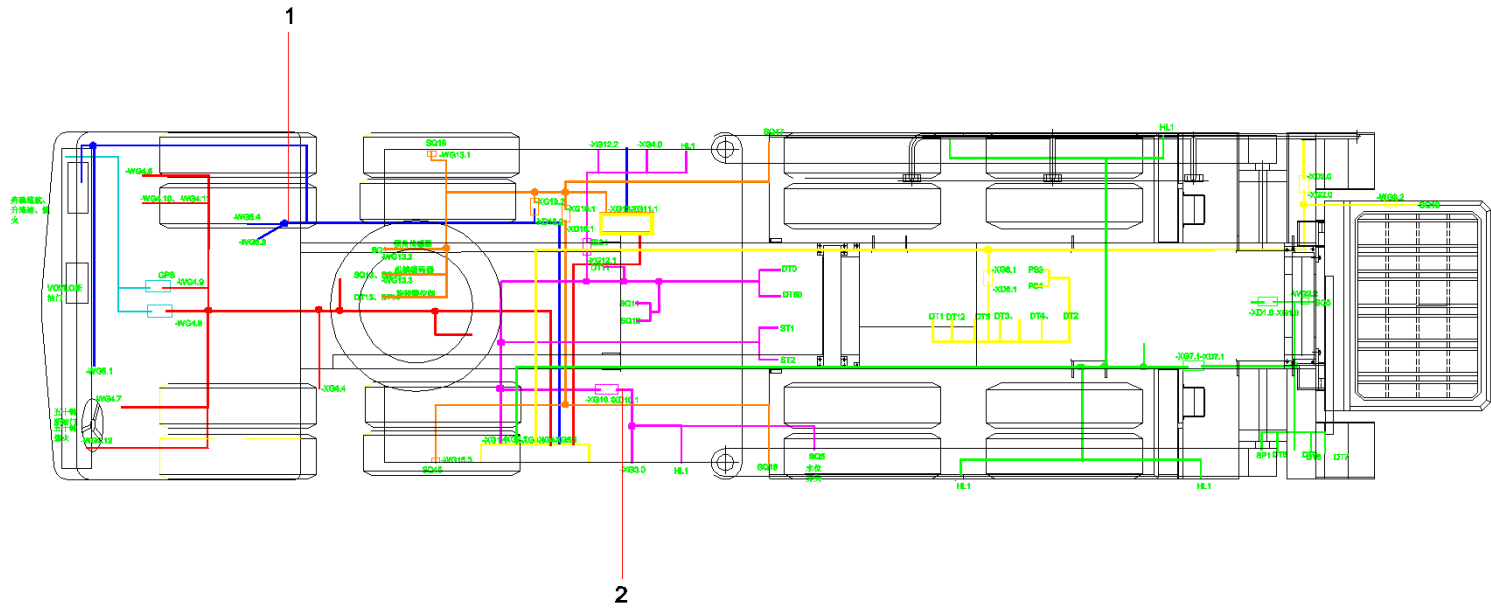
Item No.	Part No.	Description	Qty.	Remark
1	60034467	Sensor, pressure	2	
2	B210780000167	Connector, pipe	2	
3	B210780000636	Connector, pipe	2	
4	B210780001026	Connector, pipe	2	
5	60191566	Sensor, pressure	6	
6	12583481	Connector, transition	1	
7	12556701	Connector, pipe	1	
8	12566205	Connector, transition	5	
9	12725587	Harness, arm shock absorption	1	
10	12725593	Harness, arm shock absorption	1	



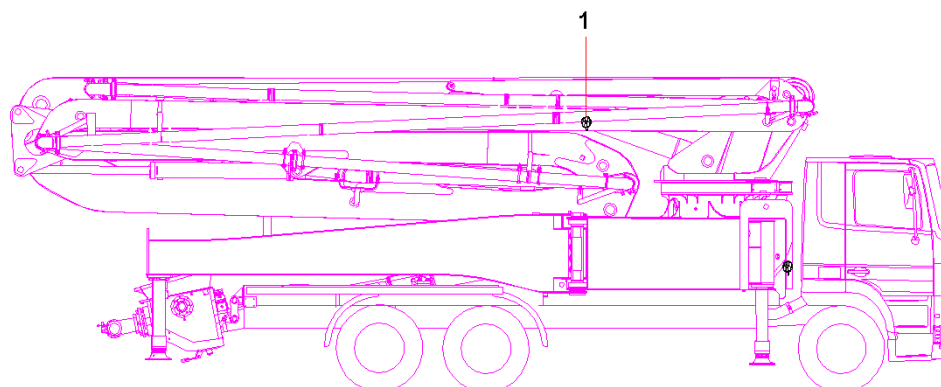
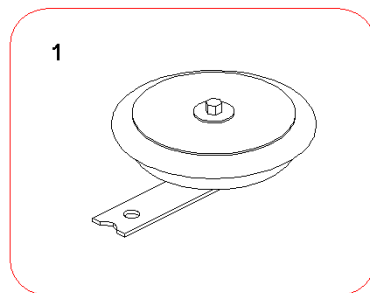
Item No.	Part No.	Description	Qty.	Remark
1	60166590	Switch, limit	1	



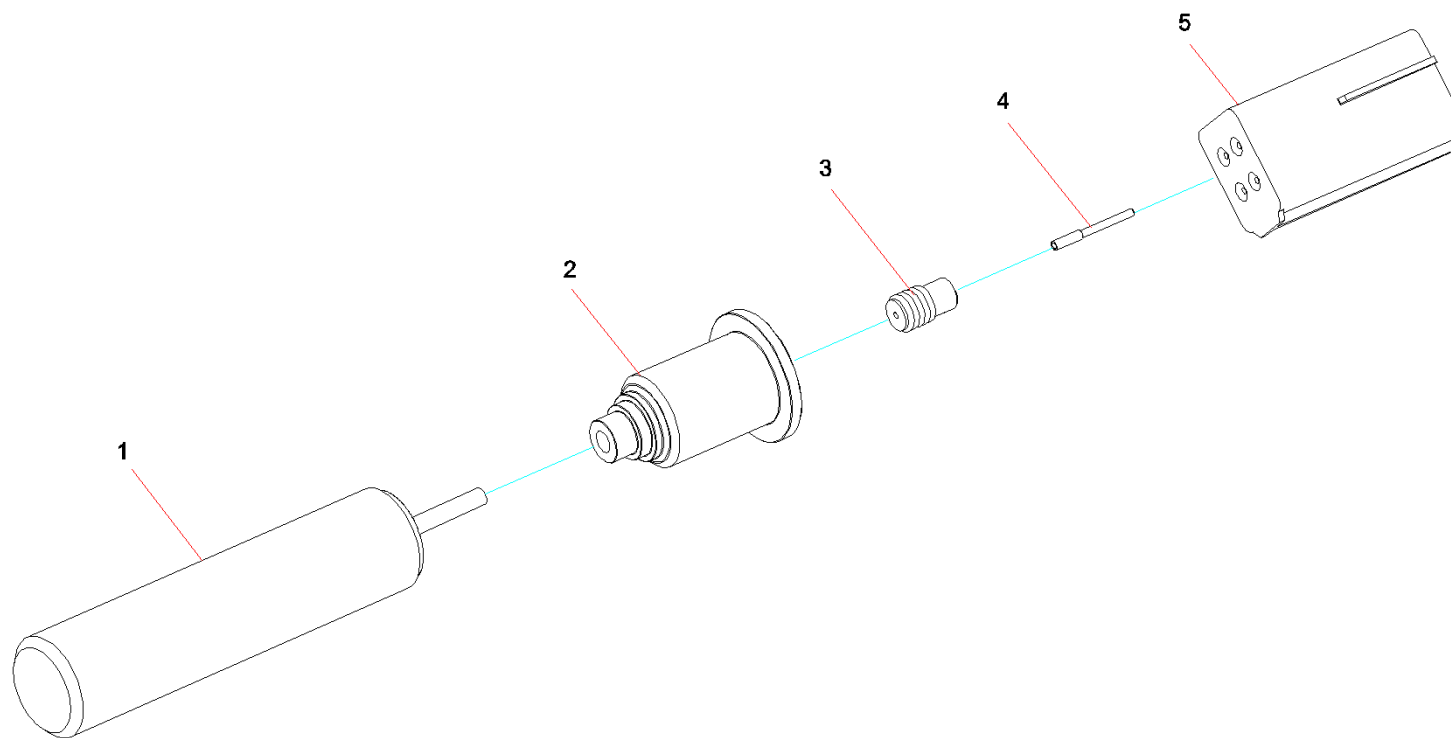
Item No.	Part No.	Description	Qty.	Remark
1	B241000000003	Jacket, plug, two-wire	1	
2	B241000000002	Plug, chip-type	2	
3	B241000000019	Sealing parts	2	
4	60182357	Socket, round, 5-core	1	
5	60034467	Sensor, pressure	1	
6	B210780000167	Connector, pipe	1	
7	B210780000015	Connector, pipe	1	



Item No.	Part No.	Description	Qty.	Remark
1	12725697	Harness, remote controller	1	
2	12661473	Harness, chassis	1	



Item No.	Part No.	Description	Qty.	Remark
1	A229900001896	Horn	2	

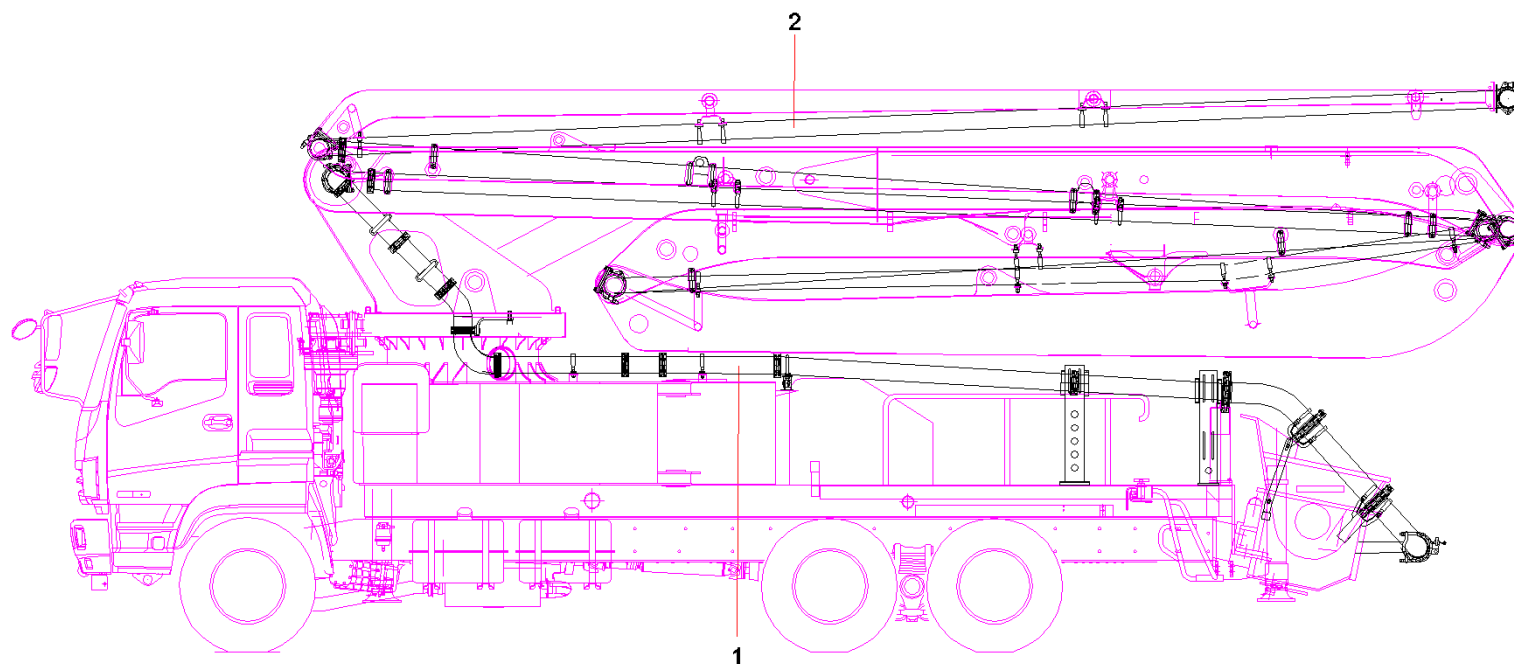


Item No.	Part No.	Description	Qty.	Remark
1	B240600000312	Sensor, coil inductance, DC3	2	
2	A229900004103	Plug, choke, hose	1	
3	B241200001155	Plug, waterproof	4	
4	B241200000460	Socket	4	
5	B241000000059	Protective sleeve GP, plug, four-wire	1	

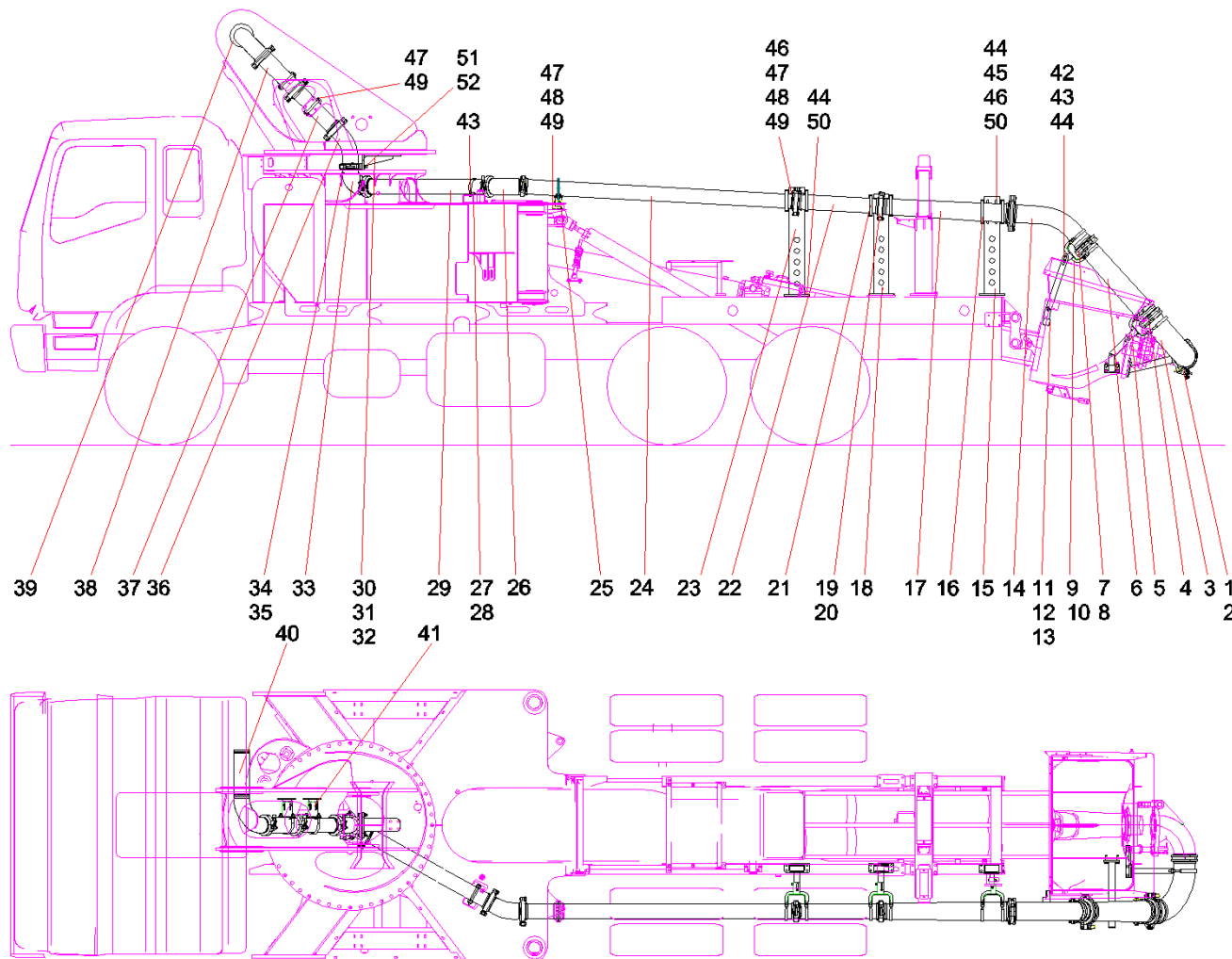


Group 9

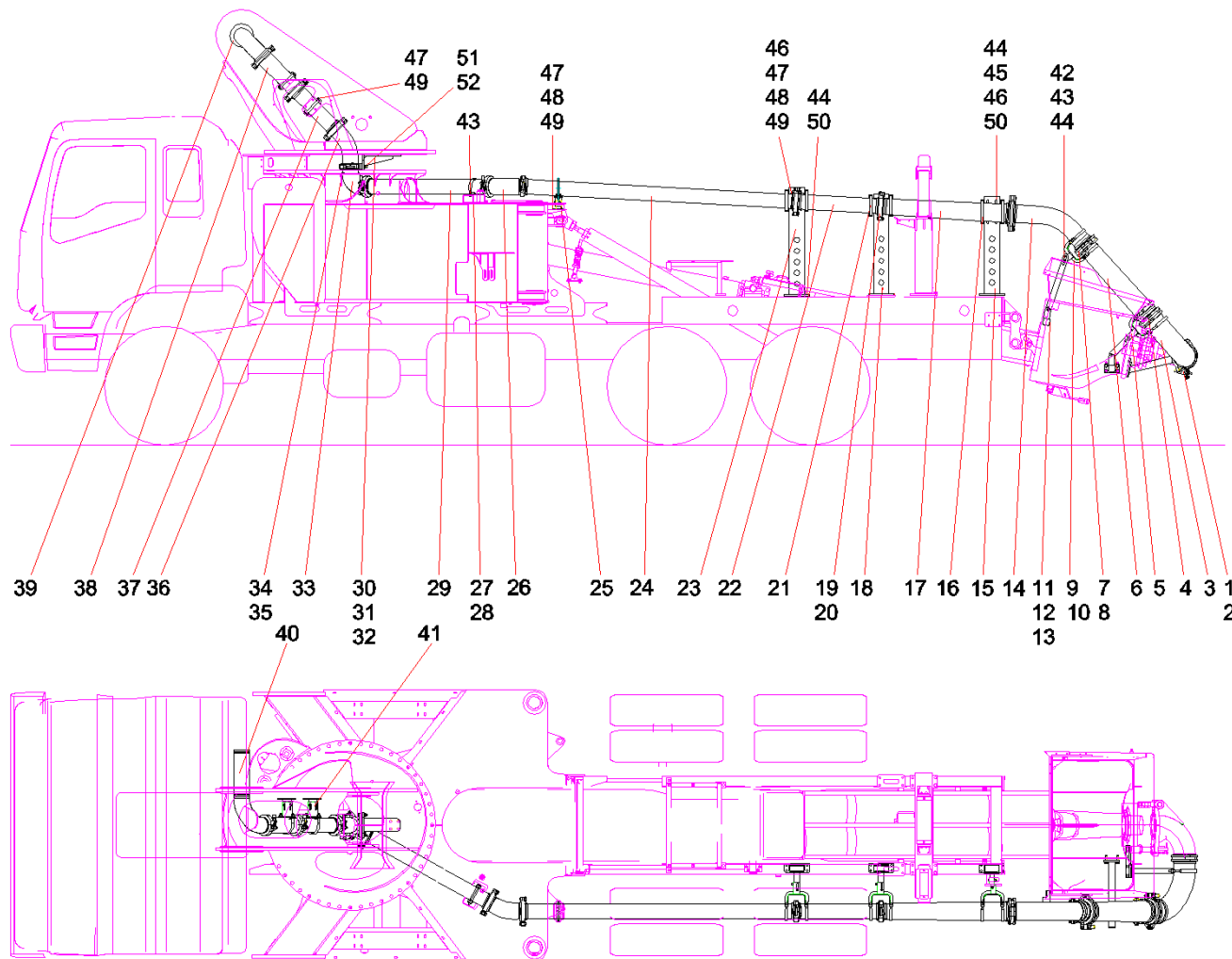
Piping, oil



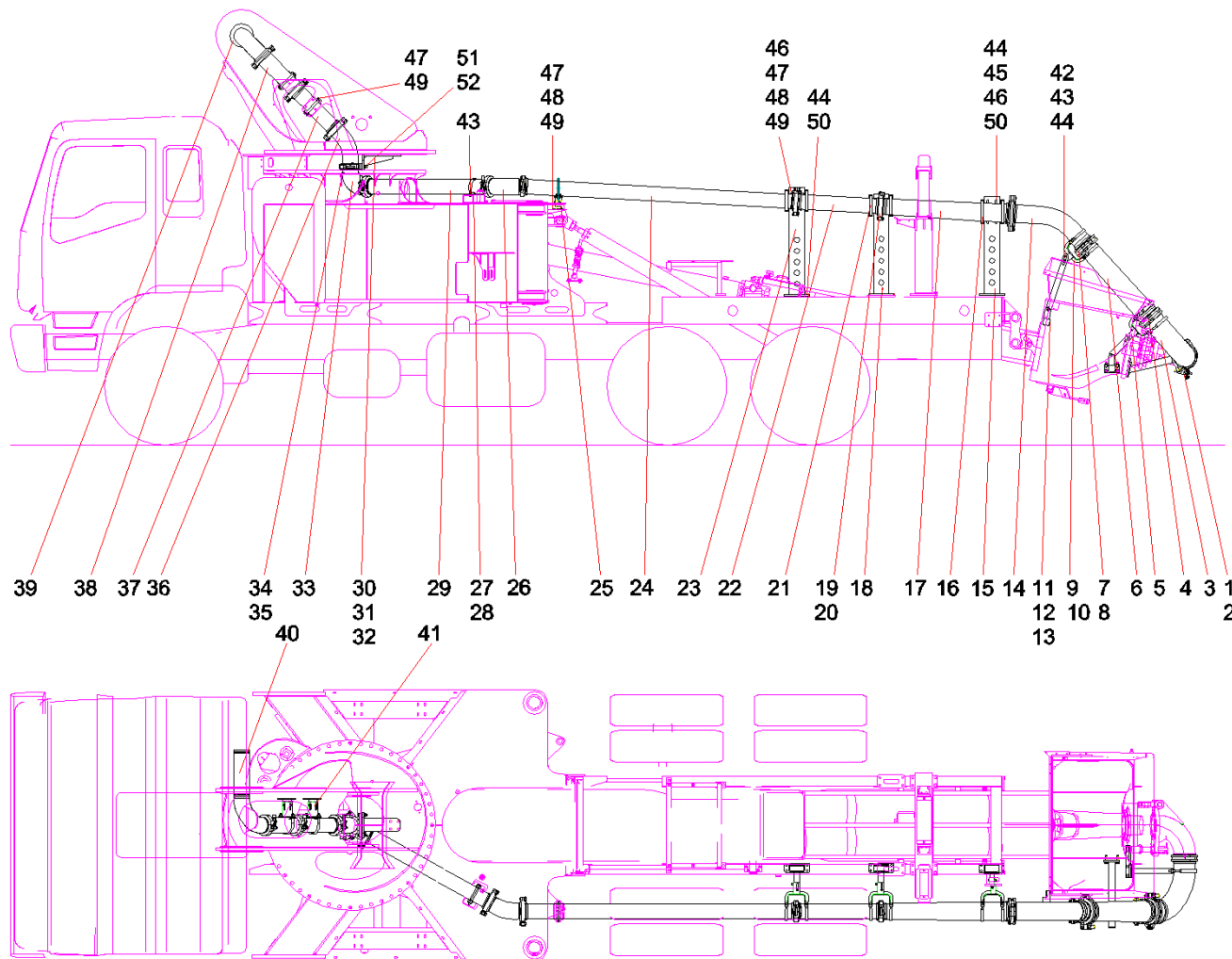
Item No.	Part No.	Description	Qty.	Remark
1	12702423	Piping GP	1	
2	12550394	Piping, boom	1	



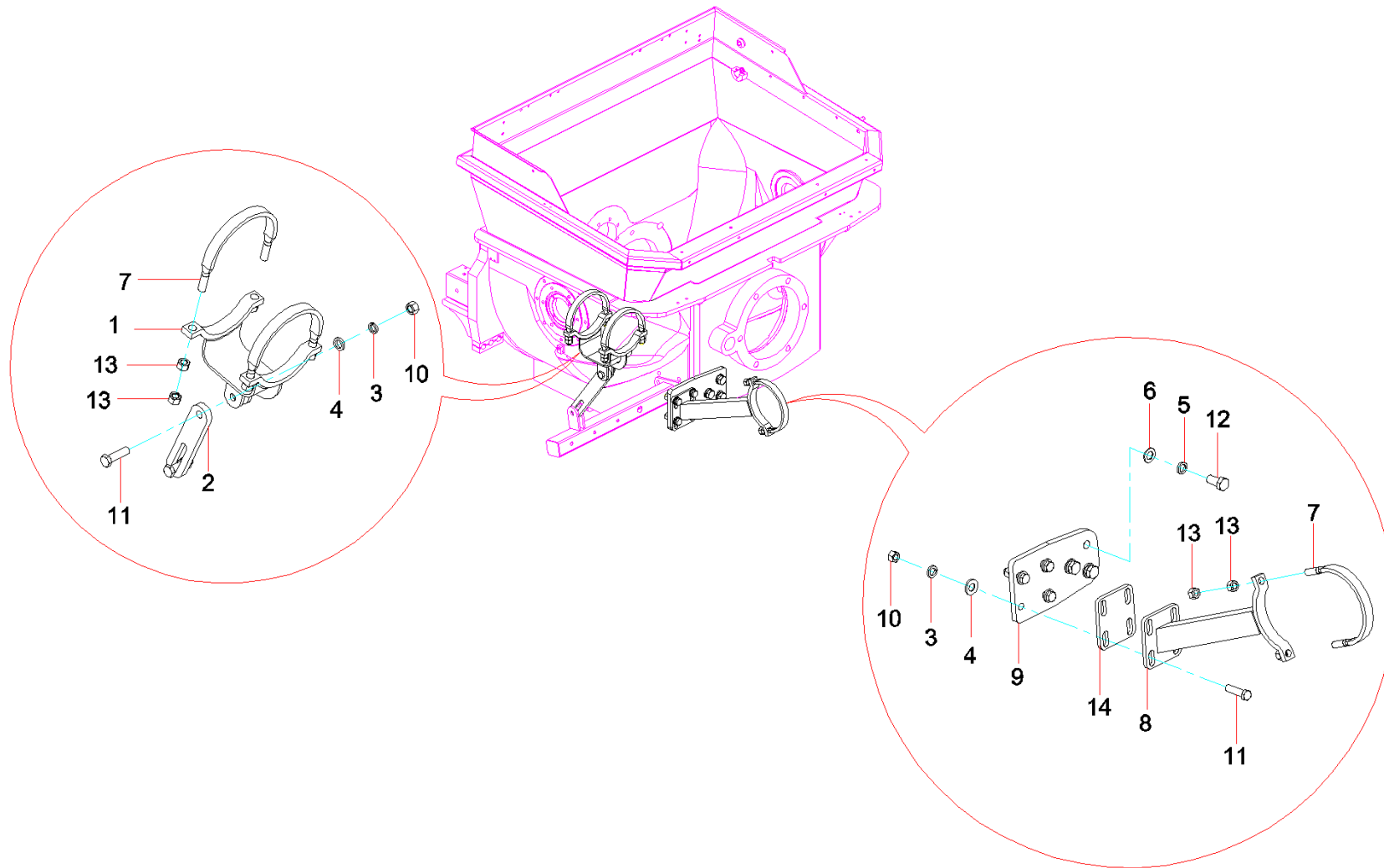
Item No.	Part No.	Description	Qty.	Remark
1	12068400	Clamp body	1	
2	12579712	175-ring, seal	2	
3	11204463	Elbow	1	
4	12787533	Clamp	1	
5	11362390	Mounting, support	1	
6	A810301010468	Pipe, taper	1	
7	A810301010927	Clamp	2	
8	A820606030048	Ring, rubber, sealing	2	
9	10949235	Seat, bent, upper	1	
10	A810301010126	U-bolt	2	
11	11699917	Rod, connection	1	
12	12026023	Support AS	1	
13	11840956	Cover, plug	1	
14	A810301010185	Elbow	1	
15	10983490	Seat, supporting	1	
16	11473163	Support, double	1	
17	12391137	Pipe, taper, compound	1	
18	12747734	Seat, supporting	1	
19	A810301010722	Clamp	8	
20	A820606030049	Seal, ring	9	
21	10819210	Support, double	2	
22	11851547	Tube, straight, 133 generation-V	1	



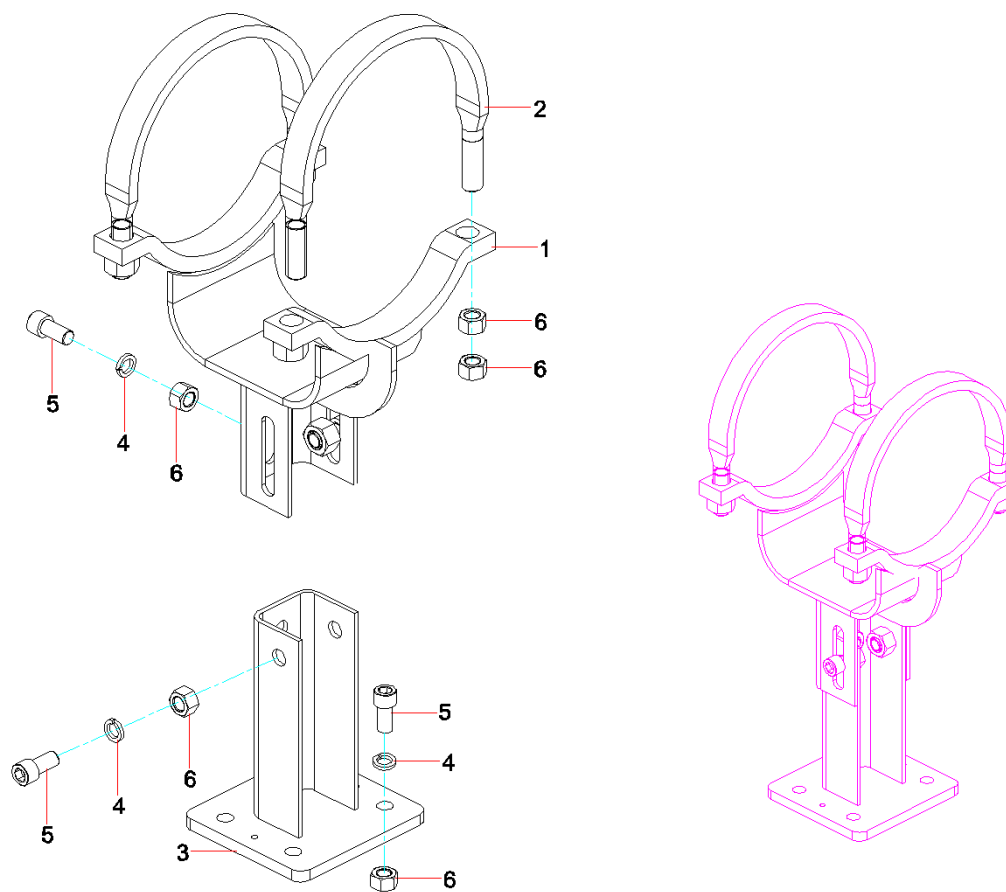
Item No.	Part No.	Description	Qty.	Remark
23	10983506	Seat, supporting	1	
24	11854273	Tube, straight, 133 generation-V	1	
25	A810301990067	Support, single	1	
26	11669747	Bend, composite	1	
27	A810301010996	U-bolt	1	
28	A820699000291	Plate, backup, small	1	
29	11852537	Tube, straight, 133 generation-V	1	
30	11795383	Support	1	
31	A210204000348	Screw	4	
32	A210491000132	Washer	4	
33	10901859	Elbow, compound	1	
34	A820699000293	Plate, backup, large	1	
35	10972967	Clamp, fixed, revolving tower	1	
36	10455165	Tube, straight, double-bend	1	
37	11849409	Tube, straight, 133 generation-V	1	
38	11848646	Tube, straight, 133 generation-V	1	
39	11405101	Round support, adjusting	1	
40	A810301010131	Elbow	1	
41	11710350	Support, single	2	
42	A210111000056	Bolt	2	
43	A210307000028	Nut	6	
44	A210405000003	Washer	14	



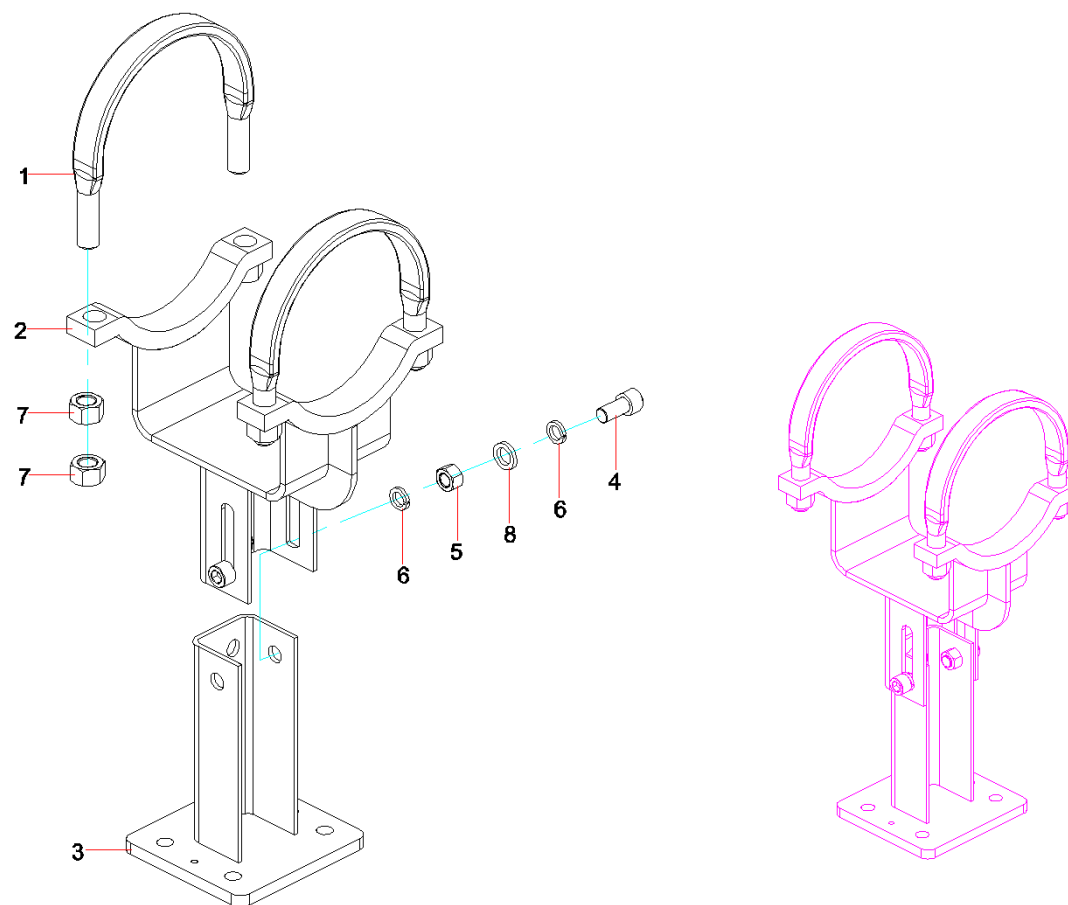
Item No.	Part No.	Description	Qty.	Remark
45	A210111000101	Bolt	4	
46	A210405000001	Washer	16	
47	A210111000204	Bolt	21	
48	A210307000031	Nut	15	
49	A820101360900	Washer, medium-size	24	
50	A210111000212	Bolt	12	
51	A210111000055	Bolt	2	
52	A210315000001	Nut	2	



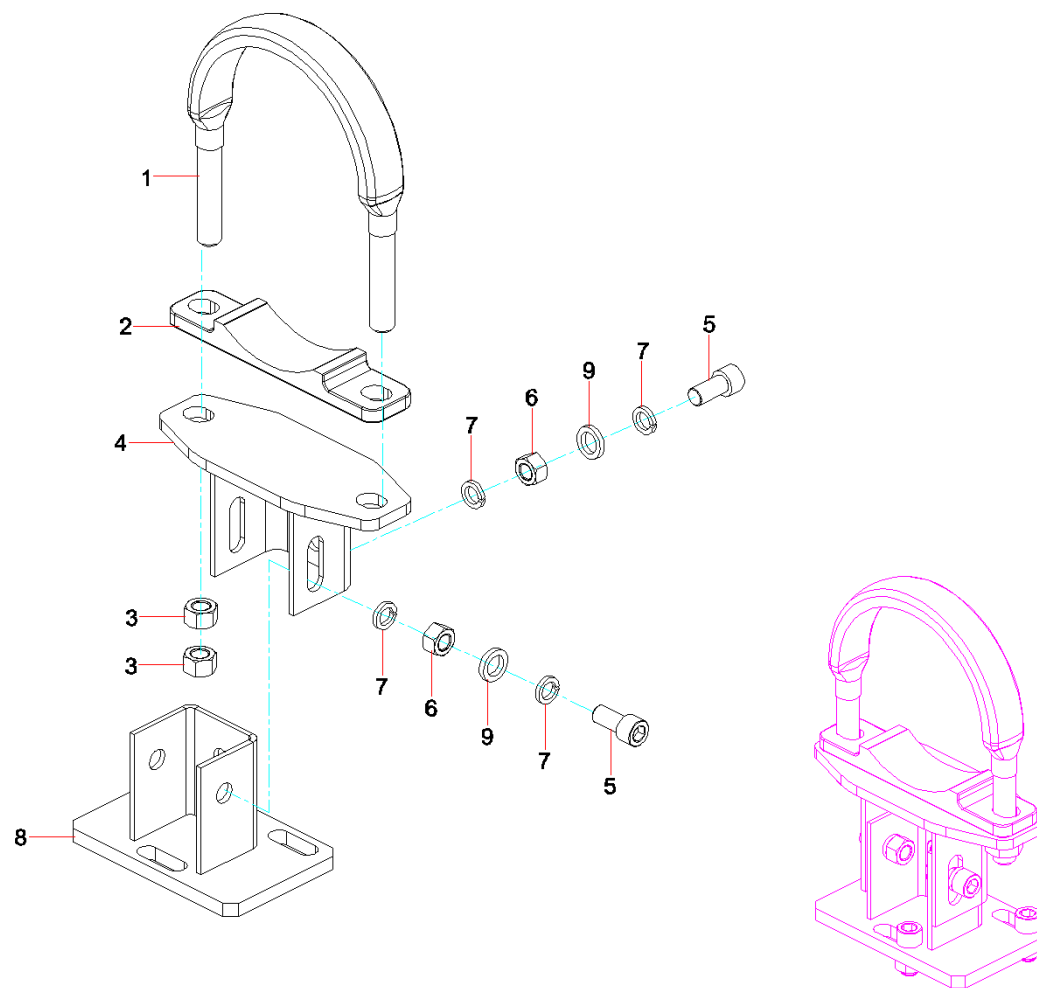
Item No.	Part No.	Description	Qty.	Remark
1	11353152	Seat, bent, upper	1	
2	10949244	Plate, connection	1	
3	A210401000004	Washer	6	
4	A210405000003	Washer	6	
5	A210401000006	Washer	3	
6	A210405000008	Washer	3	
7	A810301010127	U-bolt	3	
8	11353232	Support	1	
9	10945825	Plate, base	1	
10	A210307000040	Nut	6	
11	A210111000281	Bolt	6	
12	A210111000220	Bolt	3	
13	A210307000028	Nut	12	
14	12313397	Pad, adjusting	3	



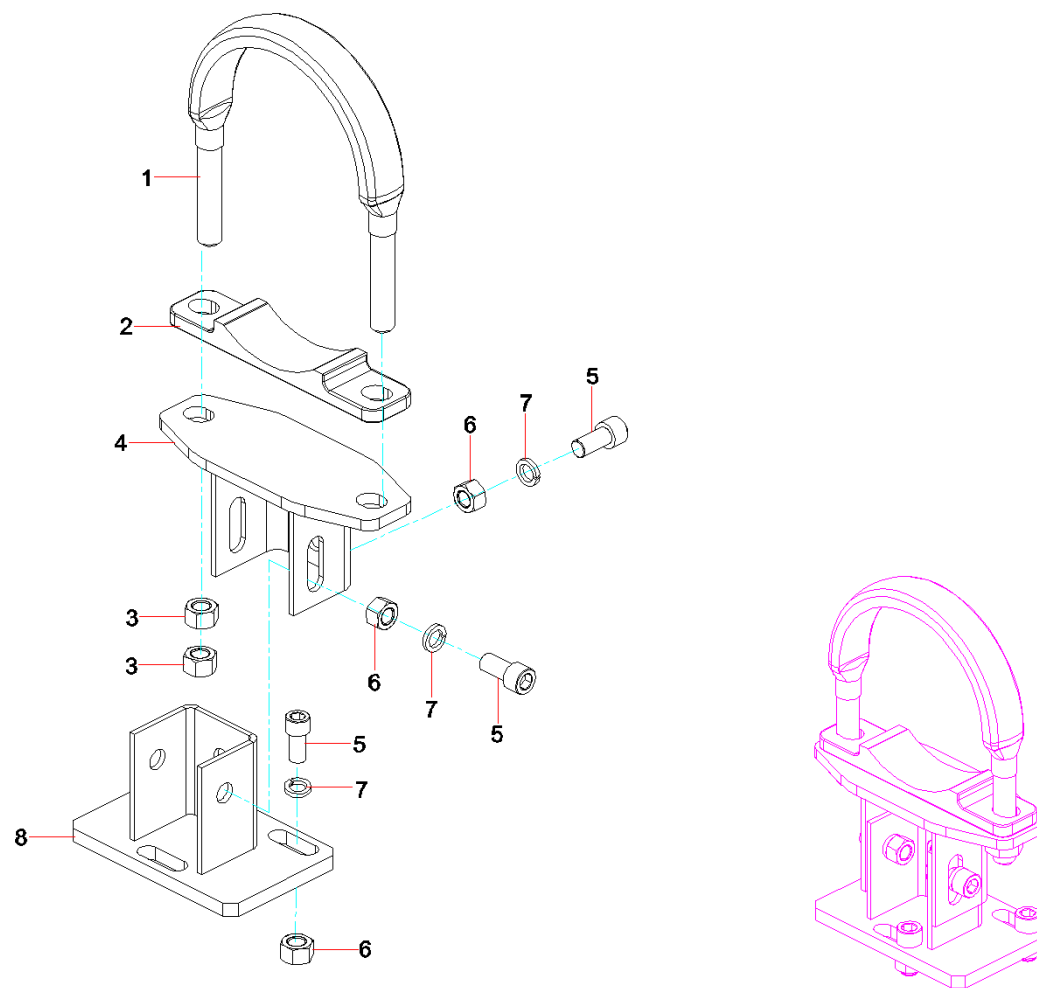
Item No.	Part No.	Description	Qty.	Remark
1	11473164	Seat, bent, upper	1	
2	A810301010126	U-bolt	2	
3	10819033	Base	1	
4	A210401000002	Washer	7	
5	A210204000242	Screw	7	
6	A210307000028	Nut	15	



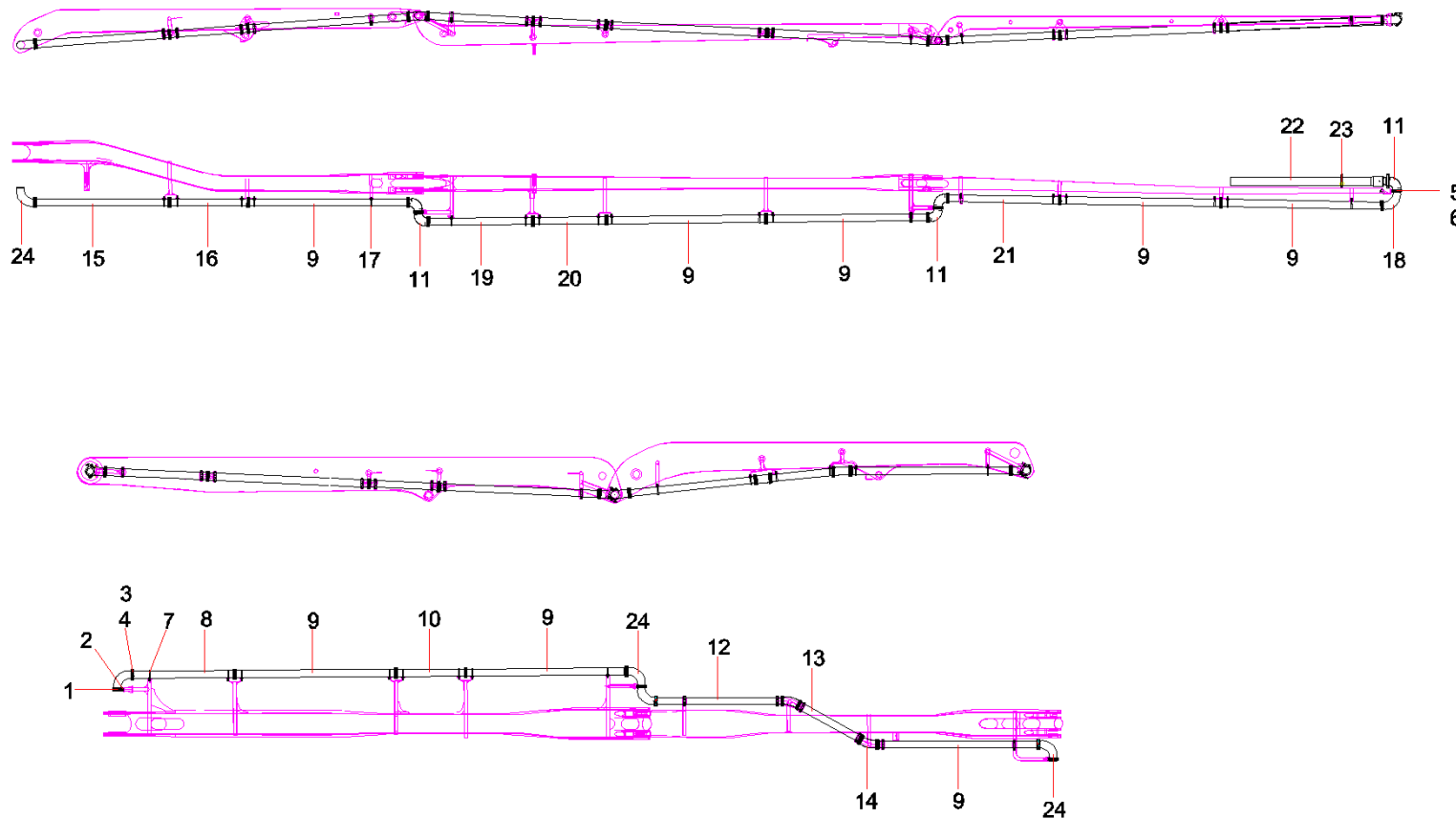
Item No.	Part No.	Description	Qty.	Remark
1	A810301010125	U-bolt	2	
2	10819062	Seat, bent, upper	1	
3	10819033	Base	1	
4	A210111000203	Bolt	3	
5	A210307000031	Nut	3	
6	A210401000002	Washer	6	
7	A210307000028	Nut	8	
8	A820101360900	Washer, medium-size	3	



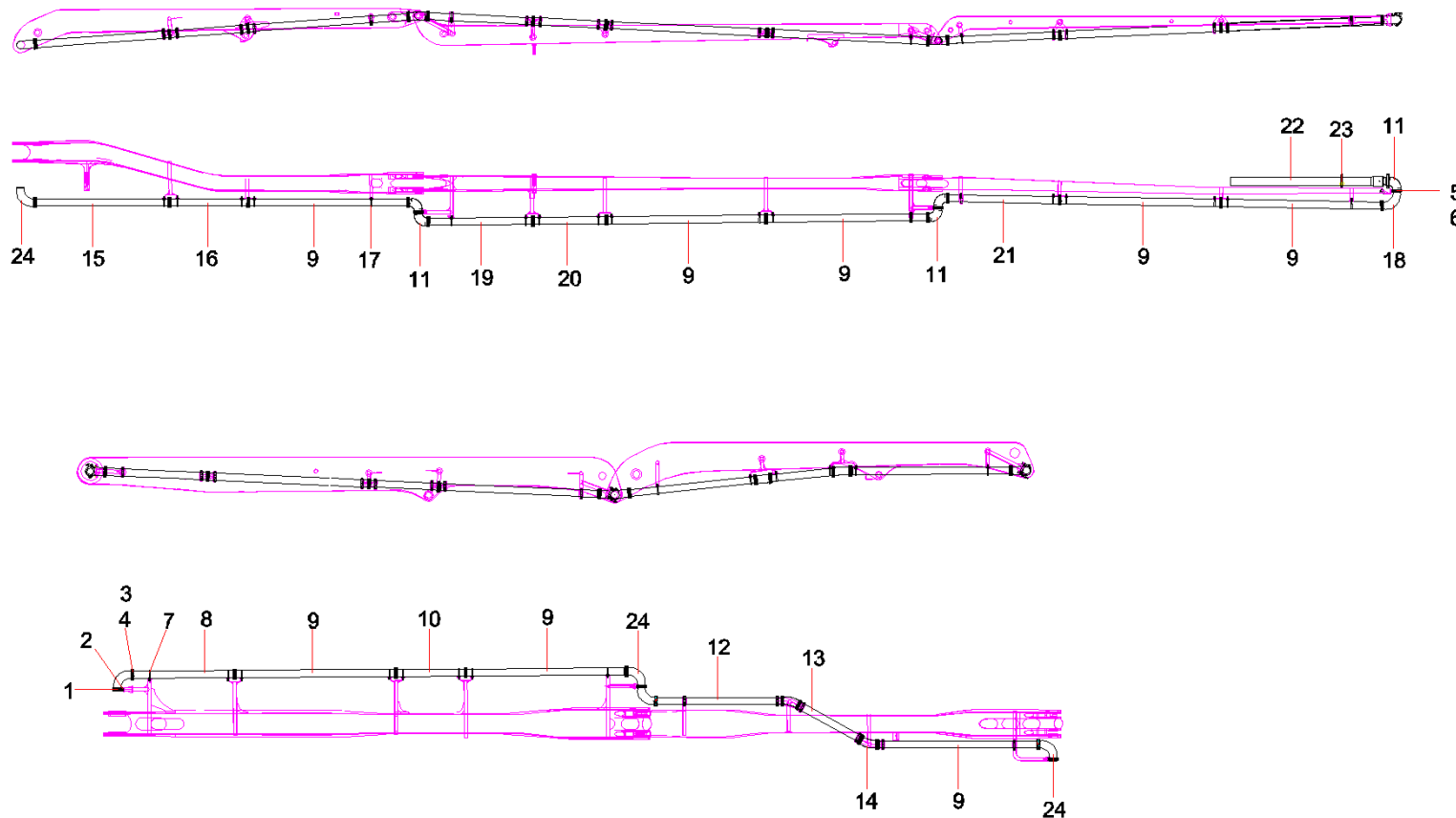
Item No.	Part No.	Description	Qty.	Remark
1	A810301010996	U-bolt	1	
2	A820699000291	Plate, backup, small	1	
3	A210307000028	Nut	4	
4	A810301991000	Seat, plate, plug, large	1	
5	A210111000203	Bolt	3	
6	A210307000031	Nut	3	
7	A210401000002	Washer	6	
8	A810301990065	Base	1	
9	A820101360900	Washer, medium-size	3	



Item No.	Part No.	Description	Qty.	Remark
1	A810301010996	U-bolt	1	
2	A820699000291	Plate, backup, small	1	
3	A210307000028	Nut	4	
4	A810301990050	Seat, plate, plug, large	1	
5	A210204000242	Screw	6	
6	A210307000031	Nut	6	
7	A210401000002	Washer	6	
8	A810301990065	Base	1	



Item No.	Part No.	Description	Qty.	Remark
1	A810301010723	Clamp, fixed	6	
2	A820699000293	Plate, backup, large	6	
3	A810301010722	Clamp	25	
4	A820606030049	Seal, ring	31	
5	A210111000281	Bolt	12	
6	A210315000001	Nut	78	
7	A820699000291	Plate, backup, small	33	
8	11854335	Tube, straight, 133 generation-V	1	
9	11844254	Tube, straight, 133 generation-V	8	
10	11853159	Tube, straight, 133 generation-V	1	
11	10901859	Elbow, compound	5	
12	11854981	Tube, straight, 133 generation-V	1	
13	11853324	Tube, straight, 133 generation-V	1	
14	11669747	Bend, composite	2	
15	11854273	Tube, straight, 133 generation-V	1	
16	11853464	Tube, straight, 133 generation-V	1	
17	A810301010729	U-bolt	33	
18	12572028	elbow, end composite	1	
19	11855221	Tube, straight, 133 generation-V	1	
20	11853369	Tube, straight, 133 generation-V	1	
21	11855246	Tube, straight, 133 generation-V	1	
22	A810301011314	Hose	1	



Item No.	Part No.	Description	Qty.	Remark
23	A810301010755	Clamp, rope	1	
24	10901506	Elbow, compound	5	



ЗАПЧАСТИ ДЛЯ БЕТОННАСОСОВ
+79180710333

www.sanygroup.com



Company Address: Sany Industry Town, Economic and Technological Development Zone,
Changsha, Hunan, China 410100

Service e-mail: crd@sany.com.cn
Service Hotline: 0086 4006098318



ЗАПЧАСТИ ДЛЯ БЕТОННАСОСОВ
+79180710333